

# HMISTW6400

touch panel screen, Harmony ST6 , 7inch wide display, 2Ethernet, USB host and device, 24V DC



## Main

Range of Product	Harmony ST6
Product or Component Type	Touch panel screen
Software Designation	Web interface for operator
Processor name	ARM Cortex-A8

## Complementary

Display size	7 inch
Display Type	Colour TFT LCD
Display colour	16 million colours
Display Resolution	800 x 480 pixels WVGA
Touch panel	Single touch analogue resistive
Backlight lifespan	50000 hours white
Brightness	16 levels
Character font	ASCII ASCII (European characters) Katakana
[Us] rated supply voltage	24 V DC +/- 20 %)
Inrush current	30 A
Local signalling	Status LED green, steady offline Status LED green, steady operating Status LED green, flashing operating Status LED green, faded stand-by Status LED orange, flashing software starting up Status LED red, steady power supply (ON) Status LED red, flashing operating Status LED red, off power supply (OFF)
Power Consumption in W	9 W
Processor frequency	800 MHz
Port Ethernet	10/100BASE
Memory description	512 MB device memory 512 MB user data memory 128 kB backup memory
Integrated connection type	1 USB 2.0 type Aback 1 Ethernet - female RJ45bottom
Supply	External supply
Realtime clock	Built-in 0...50 °C Built-in 10...90 % RH
Fixing mode	By 4 screws 1.6...5 mm thick panel UL 61010-2-201 By 4 screws IEC 61131-2 By 4 screws IEC 61000-6-2
Enclosure Material	PC
Front material	Aluminium
Marking	CE

The information provided in this documentation contains general descriptions and/or technical characteristics of the performance of the products contained herein. This documentation is not intended as a substitute for and is not to be used for determining suitability or reliability of these products for specific user applications. It is the duty of any such user or integrator to perform the appropriate and complete risk analysis, evaluation and testing of the products with respect to the relevant specific application or use thereof. Neither Schneider Electric Industries SAS nor any of its affiliates or subsidiaries shall be responsible or liable for misuse of the information contained herein.

Cut-out dimensions	190 x 135 mm panel cut dimension
Height	6.02 in (153 mm)
Width	8.19 in (208 mm)
Depth	1.77 in (45 mm)
Net Weight	1.76 lb(US) (0.8 kg)

## Environment

Immunity to microbreaks	5 ms
Standards	IEC 61000-6-4 IEC 61000-6-2 IEC 61131-2 UL 61010-2-201 CSA C22.2 No 61010-2-201
Product Certifications	CSA[RETURN]CE[RETURN]UKCA
Directives	2014/35/EU - low voltage directive 2014/30/EU - electromagnetic compatibility
Ambient Air Temperature for Operation	32...122 °F (0...50 °C)
Ambient Air Temperature for Storage	-4...140 °F (-20...60 °C)
Relative humidity	10...90 % non-condensing
Operating altitude	6561.68 ft (2000 m)
IP degree of protection	IP20 IEC 61131-2 rear panel) IP65 IEC 61131-2 front panel)
NEMA degree of protection	NEMA 4 front panel (indoor use) NEMA 13 front panel (in enclosure)
Shock resistance	147 m/s <sup>2</sup> 11 ms X, Y, Z directions for 3 times)IEC 61131-2
Vibration resistance	+/- 3.5 mm 5...9 Hz) X, Y, Z directions for 10 cycles (approx. 100 min) IEC 61131-2 9.8 m/s <sup>2</sup> 9...150 Hz)
Electromagnetic compatibility	Electrical fast transient/burst immunity test - test level: 2 kV (power ports) conforming to IEC 61000-4-4 Electrical fast transient/burst immunity test - test level: 1 kV (signal ports) Electrostatic discharge immunity test - test level: 6 kV (contact discharge) conforming to IEC 61000-4-2 level 3 Electrostatic discharge immunity test - test level: 8 kV (air discharge)

## Ordering and shipping details

Category	22565-HARMONY BASIC HMI
Discount Schedule	MC2
GTIN	3606489918088
Returnability	No
Country of origin	US

## Packing Units

Unit Type of Package 1	PCE
Number of Units in Package 1	1
Package 1 Height	3.80 in (9.65 cm)
Package 1 Width	7.20 in (18.29 cm)
Package 1 Length	10.60 in (26.92 cm)
Package 1 Weight	2.25 lb(US) (1.02 kg)
Unit Type of Package 2	S03
Number of Units in Package 2	6
Package 2 Height	11.81 in (30 cm)
Package 2 Width	11.81 in (30 cm)
Package 2 Length	15.75 in (40 cm)
Package 2 Weight	17.42 lb(US) (7.9 kg)
Unit Type of Package 3	P12
Number of Units in Package 3	144
Package 3 Height	43.31 in (110 cm)
Package 3 Width	31.50 in (80 cm)

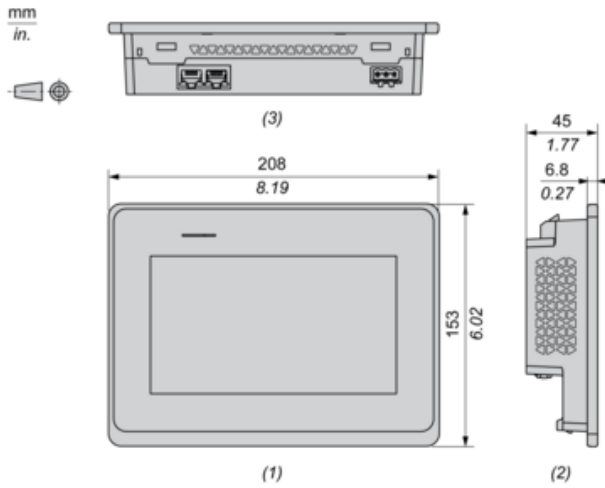
Package 3 Length	47.24 in (120 cm)
Package 3 Weight	329.81 lb(US) (149.6 kg)

### Offer Sustainability

Sustainable offer status	Green Premium product
California proposition 65	WARNING: This product can expose you to chemicals including: Lead and lead compounds, which is known to the State of California to cause cancer and birth defects or other reproductive harm. For more information go to <a href="http://www.P65Warnings.ca.gov">www.P65Warnings.ca.gov</a>
REACH Regulation	<a href="#">REACH Declaration</a>
EU RoHS Directive	Compliant with Exemptions
Mercury free	Yes
China RoHS Regulation	<a href="#">China RoHS Declaration</a>
RoHS exemption information	<a href="#">Yes</a>
Environmental Disclosure	<a href="#">Product Environmental Profile</a>
WEEE	The product must be disposed on European Union markets following specific waste collection and never end up in rubbish bins.

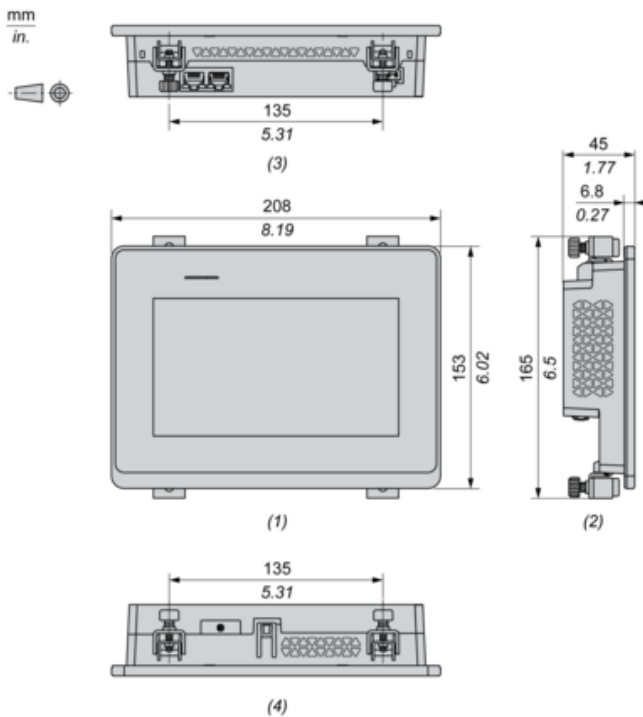
Dimensions

External Dimensions



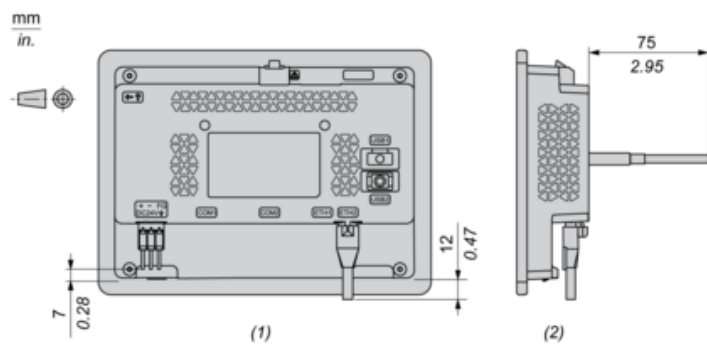
- (1): Front
- (2): Left
- (3): Bottom

Dimensions with Installation Fasteners



- (1): Front
- (2): Left
- (3): Bottom
- (4): Top

## Dimensions with Cables

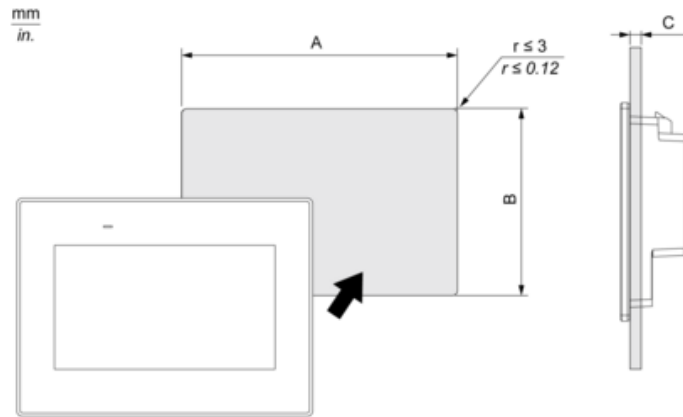


(1) : Rear

(2) : Right

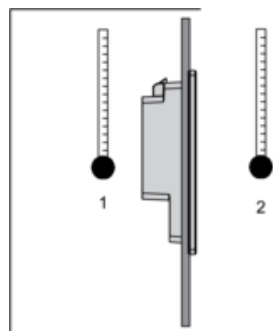
Mounting

Panel Cut Dimensions

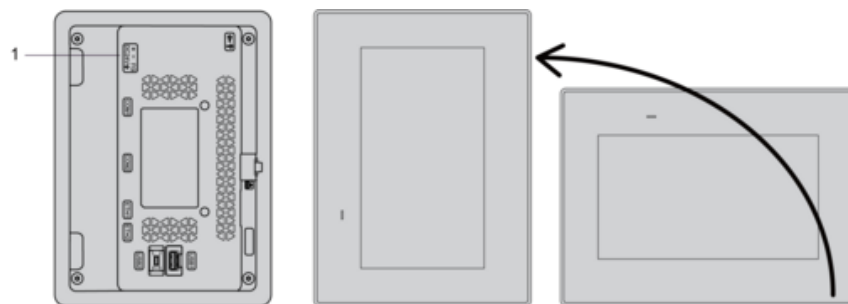


A		B		C	
mm	in.	mm	in.	mm	in.
190 (+1, -0)	7.48 (+0.04, -0)	135 (+1, -0)	5.31 (+0.04, -0)	1.6...5	0.06...0.2

Installation Requirements

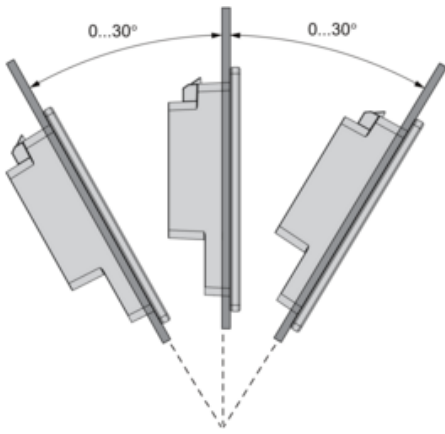


- 1: Internal temperature
- 2: External temperature



- 1: Power connector

## Mounting Angle



## Clearance

