



Main

Range of Product	Modicon Momentum automation platform
Product or Component Type	Analogue input base
Analogue input number	4
Analogue input type	Differential
Analogue Input Range	+/- 100 mV 15 bits + sign > 10000 kOhm +/- 25 mV 15 bits + sign > 10000 kOhm
Thermocouple type	Thermocouple E Thermocouple S Thermocouple K Thermocouple N Thermocouple B Thermocouple R Thermocouple J Thermocouple T

Complementary

Data format	Full 16 bits signed
Absolute accuracy error	+/- 21 μ V 77 °F (25 °C) +/- 25 mV +/- 27 μ V 77 °F (25 °C) +/- 100 mV +/- 46 μ V 140 °F (60 °C) +/- 25 mV +/- 94 μ V 140 °F (60 °C) +/- 100 mV
Temperature probe type	Ni 100 0.125 mA +/- 25 mV Ni 1000 0.125 mA +/- 100 mV Pt 100 0.125 mA +/- 25 mV Pt 1000 0.125 mA +/- 100 mV
Update time	500 ms
Isolation between channels	400 V DC
Isolation between channels and ground	500 V AC for 1 minute
Isolation between supply and ground	500 V for 1 minute
Permissible common mode voltage	100 V DC between channels to ground 115 V AC single or three phases between channels 200 V DC between channels 250 V AC between channels to ground 250 V AC single phase between channels
Common mode rejection	120 dB DC between channels 130 dB 50 Hz AC between channels 135 dB DC between channels to ground 140 dB 60 Hz AC between channels 145 dB 50 Hz AC between channels to ground 155 dB 60 Hz AC between channels to ground
Serial mode rejection	35 DB 50 Hz AC 45 dB 60 Hz AC
External power requirement	+/- 30 V DC
Maximum power dissipation in W	5.5 W
Reverse polarity protection	Internal
Protection type	Internal 2 A slow-blow
Associated fuse rating	500 mA, fast blow
Marking	CE
Local signalling	For channel status 4 LEDs
Electrical connection	2 connectors for removable terminal blocks
Current consumption	305 mA 24 V DC
Depth	1.87 in (47.5 mm)
Height	4.92 in (125 mm)

Width	5.57 in (141.5 mm)
Net Weight	0.47 lb(US) (0.215 kg)

Environment

Product Certifications	FM Class 1 Division 2[RETURN]CSA[RETURN]JUL
Protective treatment	TC
Resistance to electrostatic discharge	4 KV contact IEC 801-2 8 kV on air IEC 801-2
Resistance to electromagnetic fields	9.14 V/m (10 V/m) 80...1000 MHz IEC 801-3
Ambient Air Temperature for Operation	32...140 °F (0...60 °C)
Ambient Air Temperature for Storage	-40...185 °F (-40...85 °C)
Relative Humidity	95 % without condensation
Operating altitude	<= 16404.2 ft (5000 m)

Ordering and shipping details

Category	18206-MOMENTUM PROCESSORS,I/O BASES,CONN.
Discount Schedule	PC31
GTIN	3389110886498
Returnability	Yes
Country of origin	ID

Packing Units

Unit Type of Package 1	PCE
Number of Units in Package 1	1
Package 1 Height	2.17 in (5.5 cm)
Package 1 Width	7.09 in (18.0 cm)
Package 1 Length	10.24 in (26.0 cm)
Package 1 Weight	13.40 oz (380.0 g)
Unit Type of Package 2	S03
Number of Units in Package 2	10
Package 2 Height	11.81 in (30 cm)
Package 2 Width	11.81 in (30 cm)
Package 2 Length	15.75 in (40 cm)
Package 2 Weight	8.38 lb(US) (3.8 kg)
Unit Type of Package 3	P06
Number of Units in Package 3	80
Package 3 Height	29.53 in (75.0 cm)
Package 3 Width	15.75 in (40.0 cm)
Package 3 Length	31.50 in (80.0 cm)
Package 3 Weight	122.14 lb(US) (55.4 kg)

Offer Sustainability

Sustainable offer status	Green Premium product
California proposition 65	WARNING: This product can expose you to chemicals including: Lead and lead compounds, which is known to the State of California to cause cancer and birth defects or other reproductive harm. For more information go to www.P65Warnings.ca.gov
REACH Regulation	REACH Declaration
EU RoHS Directive	Pro-active compliance (Product out of EU RoHS legal scope)
Mercury free	Yes
China RoHS Regulation	China RoHS Declaration
RoHS exemption information	Yes
Environmental Disclosure	Product Environmental Profile

Circularity Profile

 [End Of Life Information](#)

WEEE

The product must be disposed on European Union markets following specific waste collection and never end up in rubbish bins.

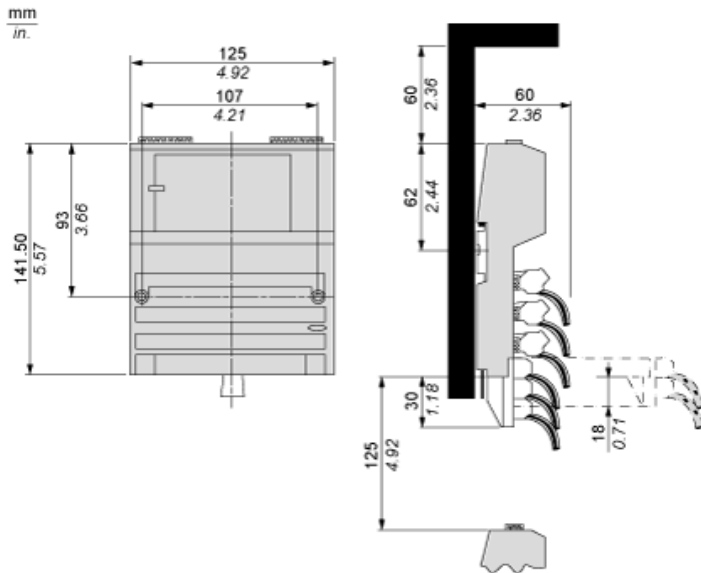
Contractual warranty

Warranty

18 months

Standard Adapter on a Typical Base

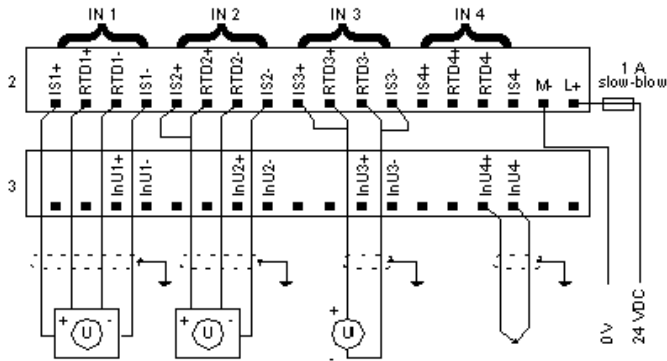
Dimensions



Mounting on a Wall



External Wiring Diagram



Examples

- * Channel 1, RTD input, 4 - wire configuration
- * Channel 2, RTD input, 3 - wire configuration
- * Channel 3, RTD input, 2 - wire configuration
- * Channel 4, thermocouple input

Internal Pin Connections

