

Main

Accessory / separate part designation	4-wire connector adaptor
Accessory / separate part category	Cabling accessories
Accessory / separate part type	Connector adaptor
Cable composition	4 x 0.34 mm ²
Thread type	Pg 13.5
[In] rated current	4 A

Complementary

Cable length	3.94 in (100 mm)
Total number of wires	4
Electrical connection	1 male connector M12 5 straight
Cable connector fixing	Screw-on
Body material	Plastic
Insulation resistance	> 1000000000 Ohm
Maximum resistance across terminals	5000 mOhm
[Ue] rated operational voltage	250 V AC 300 V DC
Net weight	0.04 lb(US) (0.02 kg)

Environment

IP degree of protection	IP67
Ambient air temperature for operation	-13...176 °F (-25...80 °C)

Packing Units

Unit Type of Package 1	PCE
Number of Units in Package 1	1
Package 1 Weight	0.35 oz (10 g)
Package 1 Height	0.98 in (2.5 cm)
Package 1 width	2.95 in (7.5 cm)
Package 1 Length	3.94 in (10 cm)

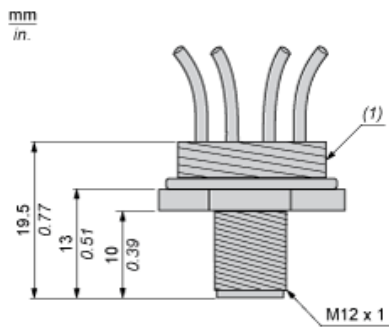
Offer Sustainability

REACH Regulation	REACH Declaration
EU RoHS Directive	Pro-active compliance (Product out of EU RoHS legal scope) EU RoHS Declaration
Mercury free	Yes
RoHS exemption information	Yes

Contractual warranty

Warranty	18 months
----------	-----------

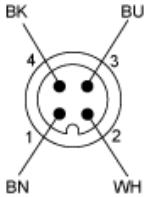
Dimensions



(1) Pg 13.5 cable gland

Connections and Schemes

Connector



- BN : Brown
- BK : Black
- BU : Blue
- WH : White