

Ordering and shipping details

| | |
|-------------------|---------------------------------|
| Category | 22470-XB5R WIRELESS PUSH BUTTON |
| Discount Schedule | I |
| GTIN | 3606480571732 |
| Returnability | No |
| Country of origin | FR |

Packing Units

| | |
|------------------------------|-------------------------|
| Unit Type of Package 1 | PCE |
| Number of Units in Package 1 | 1 |
| Package 1 Height | 2.64 in (6.700 cm) |
| Package 1 Width | 2.56 in (6.500 cm) |
| Package 1 Length | 6.50 in (16.500 cm) |
| Package 1 Weight | 6.07 oz (172.000 g) |
| Unit Type of Package 2 | S03 |
| Number of Units in Package 2 | 32 |
| Package 2 Height | 11.81 in (30.000 cm) |
| Package 2 Width | 11.81 in (30.000 cm) |
| Package 2 Length | 15.75 in (40.000 cm) |
| Package 2 Weight | 13.80 lb(US) (6.259 kg) |

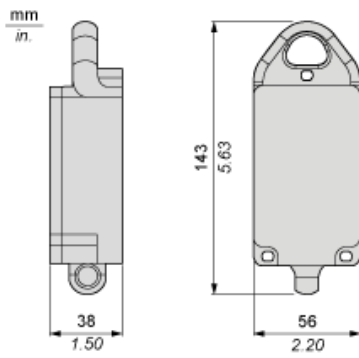
Offer Sustainability

| | |
|----------------------------|--|
| Sustainable offer status | Green Premium product |
| California proposition 65 | WARNING: This product can expose you to chemicals including: Nickel compounds, which is known to the State of California to cause cancer, and Di-isodecyl phthalate (DIDP), which is known to the State of California to cause birth defects or other reproductive harm. For more information go to www.P65Warnings.ca.gov |
| REACH Regulation | REACH Declaration |
| EU RoHS Directive | Pro-active compliance (Product out of EU RoHS legal scope) |
| Mercury free | Yes |
| China RoHS Regulation | China RoHS Declaration |
| RoHS exemption information | Yes |
| Environmental Disclosure | Product Environmental Profile |
| Circularity Profile | End Of Life Information |
| WEEE | The product must be disposed on European Union markets following specific waste collection and never end up in rubbish bins. |

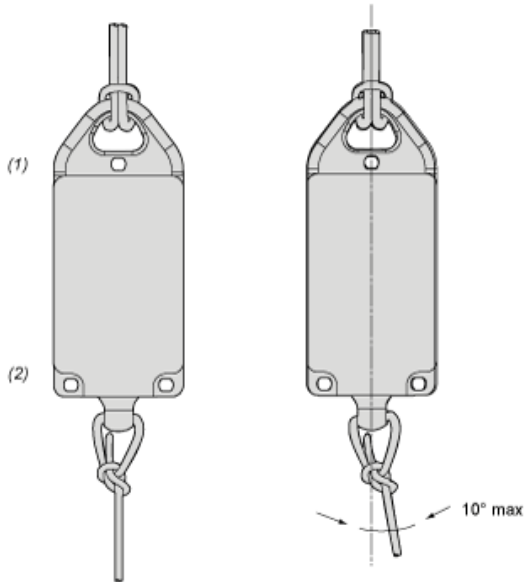
Contractual warranty

| | |
|----------|-----------|
| Warranty | 18 months |
|----------|-----------|

Wireless and Batteryless Rope Pull Switch Transmitter

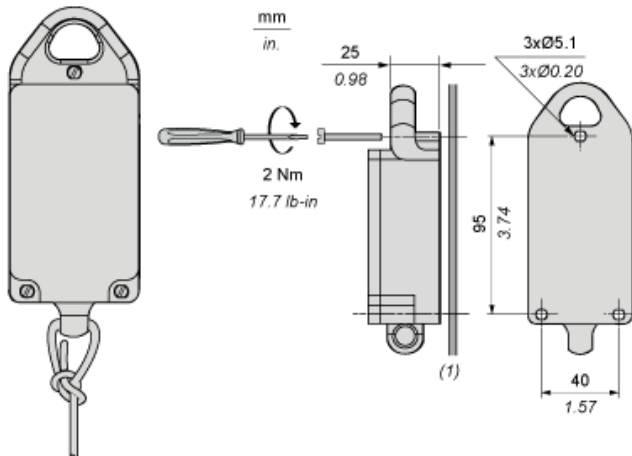


Transmitter Mounting



- (1) HIGH
- (2) BOTTOM

Transmitter Mounting on Flat Surface



- (1) Installation on flat surface