


### Snipe Nose Side Cutting Pliers (radio pliers)


DIN ISO 5745



25 01 160 


polished head, plastic-coated handles



25 02 160 

polished head, handles with multi-component covers

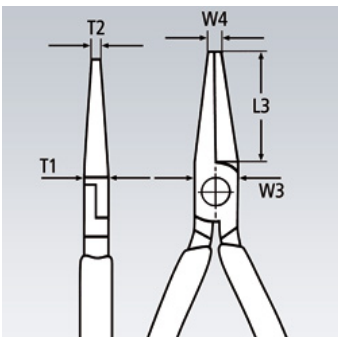


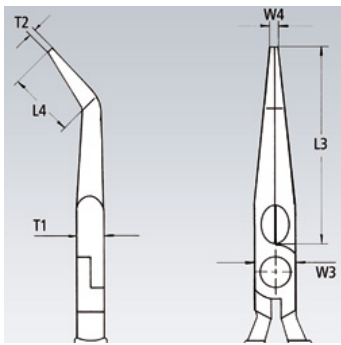
25 21 160 





polished head, plastic-coated handles



- Description
- Technical design
- suitable for fine gripping and cutting work
- pointed, half-round jaws
- serrated gripping surfaces
- with cutting edges for soft, medium-hard and hard wire
- cutting edges additionally induction hardened, cutting edge hardness approx. 61 HRC
- Vanadium electric steel; forged, oil-hardened





Product Number	EAN 4003773-	 Ø mm	 Ø mm	L3 mm	L4 mm	W3 mm	T1 mm	W4 mm	T2 mm	 mm	 g
25 01 125	015932	2,20	1,60	27,00		13,00	7,00	2,50	1,80	125	73
25 01 140	013082	2,50	1,60	42,00		15,00	8,00	2,50	2,00	140	89
25 01 160	013099	2,50	1,60	50,00		16,50	9,00	3,00	2,50	160	113
25 02 140	023159	2,50	1,60	42,00		15,00	8,00	2,50	2,00	140	109
25 02 160	023166	2,50	1,60	50,00		16,50	9,00	3,00	2,50	160	144
25 21 160	015994	2,50	1,60	50,00	23,00	16,50	9,00	3,00	2,50	160	112

technical change and errors excepted