



Main

Product or Component Type	Industrial Control Transformer
Type	TF

Complementary

Number of Phases	1 phase
Power Rating	100 VA UL[RETURN]100 VA CSA[RETURN]100 VA NOM[RETURN]100 VA CE
Primary to Secondary Voltage	240 x 480 V 120 V 230 x 460 V 115 V 220 x 440 V 110 V
Fuse type	0.41 x 1.50 in CC top
Temperature rise	55 °C
Electrical Connection	Screw clamp terminals
Height	4.25 in (107.95 mm)
Width	3.38 in (85.85 mm)
Depth	3.34 in (84.84 mm)
Material	Copper: winding
Fingersafe Cover Compatibility	FSC1

Environment

Product Certifications	UL listed file E61239[RETURN]CSA file LR37055 guide 184-N-90
Enclosure Type	Not rated (open device)
Insulation temperature	221 °F (105 °C)

Ordering and shipping details

Category	16202-9070 TF (NOT T) 50-200VA
Discount Schedule	CP8
GTIN	785901904786
Returnability	Yes
Country of origin	MX

Packing Units

Unit Type of Package 1	PCE
Number of Units in Package 1	1
Package 1 Height	6.40 in (16.256 cm)
Package 1 Width	6.70 in (17.018 cm)
Package 1 Length	7.80 in (19.812 cm)
Package 1 Weight	4.60 lb(US) (2.087 kg)

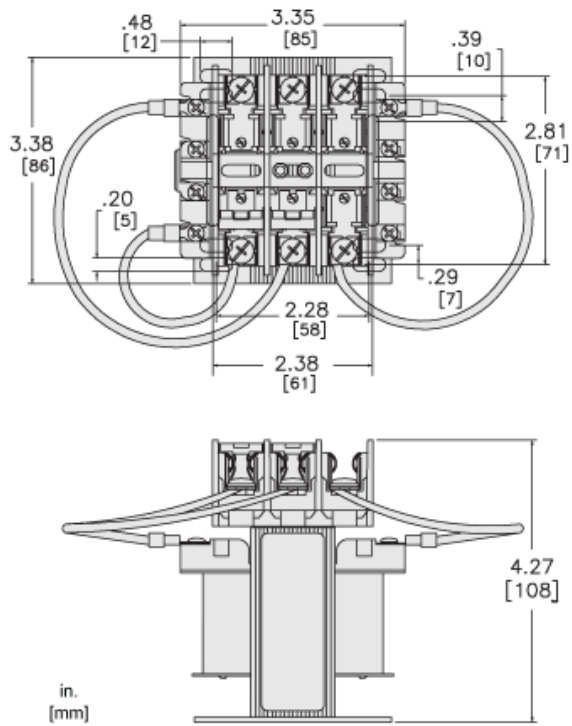
Offer Sustainability

Sustainable offer status	Green Premium product
California proposition 65	WARNING: This product can expose you to chemicals including: Phenyl glycidyl ether, which is known to the State of California to cause cancer and birth defects or other reproductive harm. For more information go to www.P65Warnings.ca.gov
REACH Regulation	REACH Declaration
EU RoHS Directive	Compliant with Exemptions
Mercury free	Yes
China RoHS Regulation	China RoHS Declaration
RoHS exemption information	Yes
Environmental Disclosure	Product Environmental Profile
Circularity Profile	No need of specific recycling operations
PVC free	Yes

Contractual warranty

Warranty	18 months
----------	-----------

Approximate Dimensions



Connections and Wiring Diagrams
