

ILE1F661PC1A3

brushless DC motor, Lexium ILA ILE ILS, 24 to 36V, CANopen DS301 interface, industrial connector, 174mm, straight teeth gear, 54:1



Main

Range of Product	Lexium integrated drive
Product or Component Type	Motion integrated drive
Device short name	ILE
Motor Type	Brushless DC motor
Number of motor poles	6
Phase	Single phase
[Us] rated supply voltage	24 V 36 V
Network type	DC
Communication interface	CANopen DS301, Integrated
Length	6.85 in (174 mm)
Winding type	Medium speed of rotation and medium torque
Electrical Connection	Industrial connector
Holding brake	Without
Gear box type	Straight teeth gear, 4 stages
Reduction ratio	54:1 (490:9)
Nominal speed	73 rpm 24 V 88 rpm 36 V
Nominal torque	88.51 Lbf.in (10 N.m) 36 V 84.08 lbf.in (9.5 N.m) 24 V

Complementary

Transmission Rate	50, 100, 125, 250, 500, 800 and 1000 kbauds
Mounting Support	Flange
Motor flange size	2.60 in (66 mm)
Number of motor stacks	1
Centring collar diameter	0.63 in (16 mm)
Centring collar depth	0.16 in (4 mm)
Number of mounting holes	4
Mounting holes diameter	0.17 in (4.4 mm)
Circle diameter of the mounting holes	2.90 in (73.54 mm)
Feedback type	BLDC encoder
Shaft end	Keyed
Second shaft	Without second shaft end
Shaft diameter	0.39 in (10 mm)
Shaft length	0.98 in (25 mm)
Key width	0.63 in (16 mm)
Supply voltage limits	18...40 V
Current consumption	7000 mA peak 5500 mA maximum continuous
Associated fuse rating	10 A
Input/output type	4 signals (each be used as input or output)
Voltage state 0 guaranteed	-3...4.5 V
Voltage state 1 guaranteed	15...30 V

The information provided in this documentation contains general descriptions and/or technical characteristics of the performance of the products contained herein. This documentation is not intended as a substitute for and is not to be used for determining suitability or reliability of these products for specific user applications. It is the duty of any such user or integrator to perform the appropriate and complete risk analysis, evaluation and testing of the products with respect to the relevant specific application or use thereof. Neither Schneider Electric Industries SAS nor any of its affiliates or subsidiaries shall be responsible or liable for misuse of the information contained herein.

Discrete input current	10 MA at 24 V on/STO_A safety input 3 MA at 24 V on/STO_B safety input 2 mA at 24 V 24 V signal interface
Discrete output voltage	23...25 V
Maximum switching current	100 MA per output 200 mA total
Protection Type	Safe torque off Short circuit of the output voltage Overload of output voltage
Maximum supply current	0.06 A 36 V power stage disabled) 0.1 A 24 V power stage disabled) 3.5 A 36 V 4.3 A 24 V
Nominal output power	73 W 24 V 88 W 36 V
Peak stall torque	111.87 Lbf.In (12.64 N.m) 24 V 154.89 lbf.in (17.5 N.m) 36 V
Continuous stall torque	101.78 lbf.in (11.5 N.m)
Detent torque	29.21 lbf.in (3.3 N.m)
Speed feedback resolution	12 points/turn motor 0.55° gearbox output
Accuracy error	+/- 1 point
Maximum torsional backlash	1 °
Rotor inertia	441 kg.cm ²
Maximum mechanical speed	92 rpm
Maximum radial force Fr	200 N long-term operation) 200 N short-term operation)
Maximum axial force Fa	10 N long-term operation) 80 N short-term operation)
Service life in hours	2500 H bearing short-term operation 15000 h bearing long-term operation
Marking	CE
Type of cooling	Natural convection
Net Weight	4.08 lb(US) (1.85 kg)

Environment

Standards	IEC 50178 IEC 50347 IEC 61800-3, Ed 2 IEC 61800-3 IEC 60072-1 EN 61800-3:2001, second environment EN 61800-3 : 2001-02
Product Certifications	cUL[RETURN]TÜV[RETURN]UL
Ambient air temperature for operation	122...149 °F (50...65 °C) with power derating of 2 % per °C) 32...122 °F (0...50 °C) without derating)
Permissible ambient air temperature around the device	221 °F (105 °C) power amplifier 230 °F (110 °C) motor
Ambient Air Temperature for Storage	-13...158 °F (-25...70 °C)
Operating altitude	<= 3280.84 ft (1000 m) without derating
Relative humidity	15...85 % without condensation
Vibration resistance	20 m/s ² 10...500 Hz) 10 cycles IEC 60068-2-6
Shock resistance	150 m/s ² 1000 shocks IEC 60068-2-29
IP degree of protection	Shaft bushing IP41 IEC 60034-5 Total except shaft bushing IP54 IEC 60034-5

Ordering and shipping details

Category	18288-LEXIUM INTEGRATED DRIVES II
Discount Schedule	PC56
GTIN	3389119222426
Returnability	No
Country of origin	DE

Packing Units

Unit Type of Package 1	PCE
Number of Units in Package 1	1
Package 1 Height	3.15 in (8.0 cm)
Package 1 Width	7.28 in (18.5 cm)
Package 1 Length	13.98 in (35.5 cm)
Package 1 Weight	4.96 lb(US) (2.25 kg)

Offer Sustainability

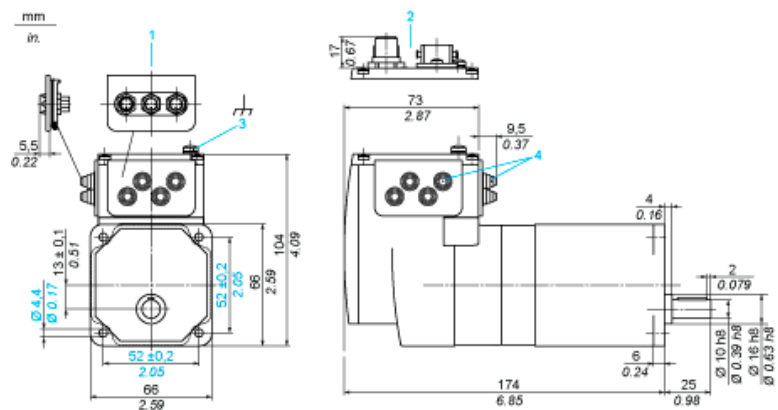
Sustainable offer status	Green Premium product
California proposition 65	WARNING: This product can expose you to chemicals including: Lead and lead compounds, which is known to the State of California to cause cancer and birth defects or other reproductive harm. For more information go to www.P65Warnings.ca.gov
REACH Regulation	REACH Declaration
EU RoHS Directive	Pro-active compliance (Product out of EU RoHS legal scope)
Mercury free	Yes
China RoHS Regulation	China RoHS Declaration
RoHS exemption information	Yes
Environmental Disclosure	Product Environmental Profile
Circularity Profile	End Of Life Information
WEEE	The product must be disposed on European Union markets following specific waste collection and never end up in rubbish bins.
PVC free	Yes

Contractual warranty

Warranty	18 months
----------	-----------

Integrated Drive with Straight Teeth Gear

Dimensions

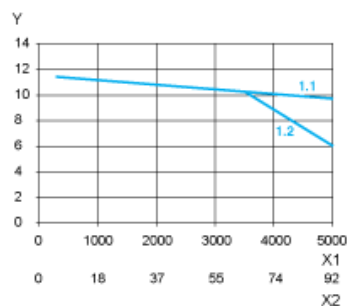


- 1 Accessories: I/O signal insert with industrial connectors
- 2 Option: industrial connectors
- 3 Earth (ground) terminal
- 4 Accessories: cable entries $\varnothing = 3 \dots 9 \text{ mm} / 0.12 \dots 0.35 \text{ in.}$

Connection Example with 4 I/O Signals



Torque Characteristics



- X1 Speed of rotation of motor in rpm
- X2 Speed of rotation of gearing in rpm
- Y Torque in Nm
- 1.1 Max. torque at 24 V
- 1.2 Max. torque at 36 V