



## Main

Range of product	Modicon Quantum automation platform
Product or component type	Mixed discrete I/O module
Discrete I/O number	8

## Complementary

Discrete input number	4 1 group of 8
Discrete input logic	Sink
Addressing requirement	1 input word 1 output word
Network frequency limits	47...63 Hz
Discrete input voltage	125 V DC
Input voltage limits	156.2 V including ripple
Voltage state 0 guaranteed	0...36 V
Voltage state 1 guaranteed	88...156.2 V
Current state 0 guaranteed	<= 1.2 mA
Current state 1 guaranteed	>= 2 mA
Response time	0.5 or 1.5 ms depending on the filter at state 0 to state 1 0.5 or 1.5 ms depending on the filter at state 1 to state 0
Discrete output number	4 1 group of 4
Discrete output type	Solid state, isolated
Discrete output logic	Source or sink
Discrete output voltage	24...125 V
Output voltage limits	19.2...156.2 V DC typical
Maximum load current	<= 16 A per module <= 4 A per point
Maximum voltage drop	<0.75 V 4 A
Absolute maximum output	30 A during 500 ms per point
Maximum load capacitance	0.1 MF 150 V DC 0.6 µF 24 V DC
Maximum leakage current	1.2 mA 150 V DC
Protection type	Internal output protection by 5 A fuse per group On output by transient voltage suppression On input by resistor limited
Associated fuse rating	5 A
Isolation between group of I/O channels	1780 Vrms for 1 minute
Isolation between group and bus	2500 Vrms for 1 minute
Isolation between channels	1780 Vrms for 1 minute
Fault indication	Overcurrent on output
Power dissipation	0.4 W + (1 x input point on) + (0.75 total output load current)

Local signalling	Bus communication is present (Active) 1 LED green) No voltage in output and input (F) 1 LED red) Fault detected on the output point 2 LEDs red) Output is turned on 4 LEDs green) Fault detected on the input point 4 LEDs red)
Marking	CE
Bus current requirement	350 mA
Net Weight	0.66 lb(US) (0.3 kg)

## Environment

Resistance to electrostatic discharge	4 KV contact IEC 801-2 8 kV on air IEC 801-2
Resistance to electromagnetic fields	9.14 V/m (10 V/m) 80...1000 MHz IEC 801-3
Ambient air temperature for operation	32...140 °F (0...60 °C)
Ambient air temperature for storage	-40...185 °F (-40...85 °C)
Relative humidity	95 % without condensation
Operating altitude	<= 16404.2 ft (5000 m)
Standards	UL 508 CSA C22.2 No 142 FM Class 1 Division 2
Product certifications	CUL

## Ordering and shipping details

Category	18155 - QUANTUM I/O & POWER SUPPLIES
Discount Schedule	PC21
GTIN	00785901320838
Nbr. of units in pkg.	1
Package weight(Lbs)	2.21 lb(US) (1.00 kg)
Returnability	No
Country of origin	CN

## Packing Units

Package 1 Height	1.97 in (50.000 mm)
Package 1 width	6.50 in (165.000 mm)
Package 1 Length	12.20 in (310.000 mm)

## Offer Sustainability

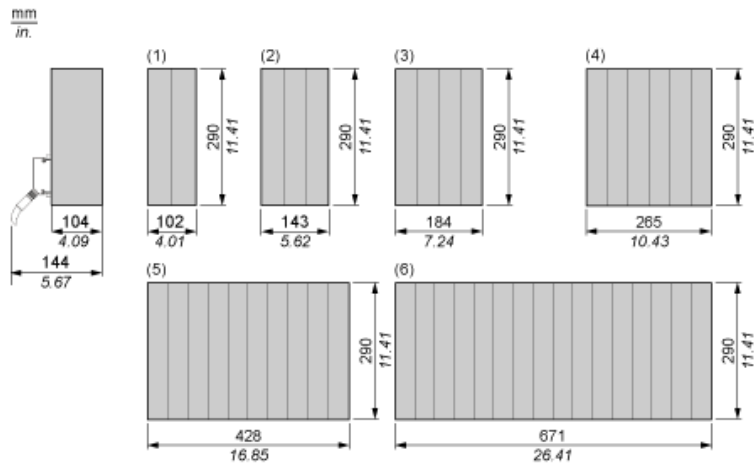
Sustainable offer status	Green Premium product
California proposition 65	WARNING: This product can expose you to chemicals including: Lead and lead compounds, which is known to the State of California to cause cancer and birth defects or other reproductive harm. For more information go to <a href="http://www.P65Warnings.ca.gov">www.P65Warnings.ca.gov</a>
REACH Regulation	<a href="#">REACH Declaration</a>
REACH free of SVHC	Yes
EU RoHS Directive	Pro-active compliance (Product out of EU RoHS legal scope) <a href="#">EU RoHS Declaration</a>
Mercury free	Yes
RoHS exemption information	<a href="#">Yes</a>
China RoHS Regulation	<a href="#">China RoHS Declaration</a>
Environmental Disclosure	<a href="#">Product Environmental Profile</a>
Circularity Profile	<a href="#">End Of Life Information</a>
WEEE	The product must be disposed on European Union markets following specific waste collection and never end up in rubbish bins.

## Contractual warranty

Warranty	18 months
----------	-----------

Racks for Modules Mounting

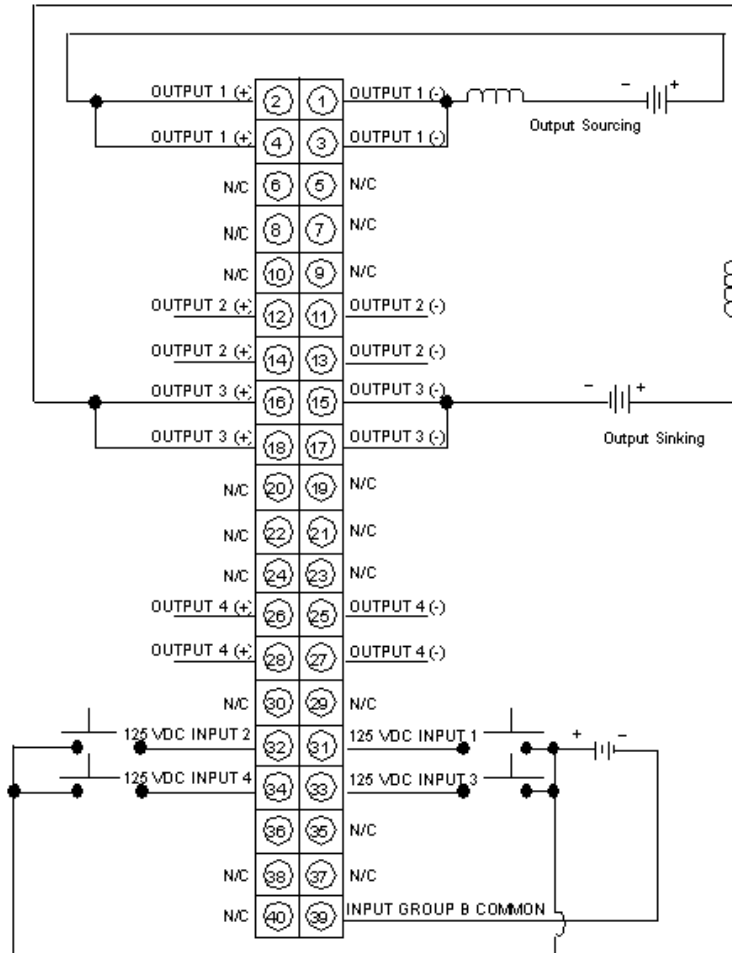
Dimensions of Modules and Racks



- (1) 2 slots
- (2) 3 slots
- (3) 4 slots
- (4) 6 slots
- (5) 10 slots
- (6) 16 slots

125 Vdc Discrete Input/High Power Output Module

Wiring Diagram



N/C Not Connected