



## Main

Range of product	Square D Pumptrol
Pressure sensor name	9013GH
Pressure sensor size	200 psi (1378.95 kPa) 40...170 psi (275.79...1172.11 kPa)
Value of setting	145...175 psi
Electrical circuit type	Power circuit
Product specific application	Control electrically driven water pumps and air compressors
Quantity per set	1
Type of packing	Individual

## Complementary

Pressure sensor type	Electromechanical pressure switch
Controlled fluid	Air -22...257 °F (-30...125 °C)) Fresh water -22...257 °F (-30...125 °C))
Adjustable range on rising pressure	65...200 psi (448.16...1378.95 kPa)
Approximate adjustable differential	20...40 psi (137.90...275.79 kPa)
Destruction pressure	300 psi (2068.43 kPa)
Pressure actuator	Diaphragm
Pressure switch type of operation	Regulation between 2 thresholds
Scale type	Adjustable differential
Setting	Internal
Local display	Without
Contacts type and composition	2 NC, snap action, DPST-DB, Form YY
Cable entry number	3 knock-outs for 1/2" conduit UL 508
Electrical connection	Screw-clamp terminals 10 AWG Screw-clamp terminals 5.261 mm <sup>2</sup>
Fluid connection type	0.25 inch NPSF internal UL 508
Short-circuit protection	20 A cartridge fuse gG
Materials in contact with fluid	Zinc plated steel or equivalent flange Nitrile (Buna-N) or equivalent rubber diaphragm
Material	Polypropylene Cover Noryl thermoplastic resin or equivalent Cover
Operating position	Any position
Motor power kW	1.5 KW 2 hp)115 V AC, 1 phase 2.2 KW 3 hp)115 V AC, 3 phase 2.2 KW 3 hp)230 V AC, 1 phase 0.75 KW 1 hp)115 V DC 0.75 KW 1 hp)230 V DC 3.75 KW 5 hp)230 V AC, 3 phase 3.7 KW 5 hp)460 V AC, 1 phase 3.7 KW 5 hp)460 V AC, 3 phase 3.7 KW 5 hp)575 V AC, 1 phase 3.7 kW 5 hp)575 V AC, 3 phase
Electrical durability	100000 cycles 10 cyc/mn
Mechanical durability	300000 cycles
Terminal block type	4 terminals
Maximum operating rate	10 cyc/mn
[Ui] rated insulation voltage	575 V UL 508
Net Weight	2.25 lb(US) (1.02 kg)

The information provided in this documentation contains general descriptions and/or technical characteristics of the performance of the products contained herein. This documentation is not intended as a substitute for and is not to be used for determining suitability or reliability of these products for specific user applications. It is the duty of any such user or integrator to perform the appropriate and complete risk analysis, evaluation and testing of the products with respect to the relevant specific application or use thereof. Neither Schneider Electric Industries SAS nor any of its affiliates or subsidiaries shall be responsible or liable for misuse of the information contained herein.

Repeat accuracy	+/- 3 %
Terminals description ISO n°1	L1-T1 L2-T2
Maximum Width	3.44 in (87.38 mm)
Height	5.4 in (137.16 mm)
Depth	3.88 in (98.55 mm)
Factory modification	-

## Environment

Standards	UL 508 NSF ANSI 372 CE
Ambient air temperature for operation	-33...257 °F (-36...125 °C)
Ambient air temperature for storage	-33...257 °F (-36...125 °C)
Protective treatment	None
NEMA degree of protection	NEMA 1 UL 50
IP degree of protection	IP20 IEC 60529
Product certifications	UL listed file E12158 CSA file LR25490

## Ordering and shipping details

Category	21536 - 9013 G COMMERCIAL PRESSURE SWITCH
Discount Schedule	CP7G
GTIN	00785901559702
Nbr. of units in pkg.	1
Package weight(Lbs)	2 lb(US) (0.91 kg)
Returnability	Yes
Country of origin	MX

## Packing Units

Package 1 Height	3.90 in (9.906 cm)
Package 1 width	4.50 in (11.430 cm)
Package 1 Length	5.90 in (14.986 cm)

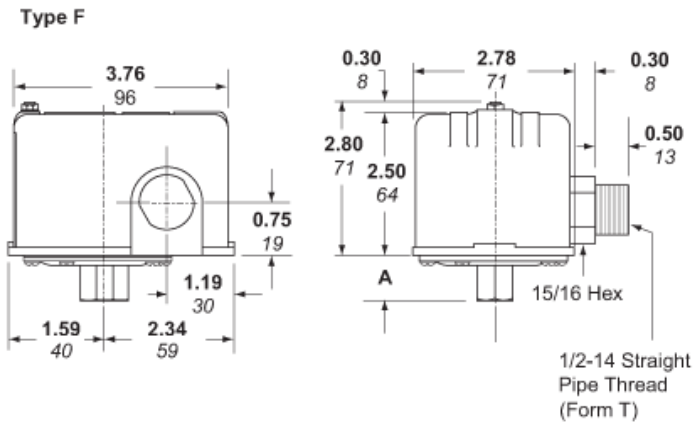
## Offer Sustainability

Sustainable offer status	Green Premium product
California proposition 65	WARNING: This product can expose you to chemicals including: Diisononyl phthalate (DINP), which is known to the State of California to cause cancer, and Di-isodecyl phthalate (DIDP), which is known to the State of California to cause birth defects or other reproductive harm. For more information go to <a href="http://www.P65Warnings.ca.gov">www.P65Warnings.ca.gov</a>
REACH Regulation	<a href="#">REACH Declaration</a>
EU RoHS Directive	Pro-active compliance (Product out of EU RoHS legal scope) <a href="#">EU RoHS Declaration</a>
Mercury free	Yes
RoHS exemption information	<a href="#">Yes</a>
Environmental Disclosure	<a href="#">Product Environmental Profile</a>
Circularity Profile	<a href="#">End Of Life Information</a>

## Contractual warranty

Warranty	18 months
----------	-----------

Approximate Dimensions



Switch Type	A Dimension		in. mm
	in.	mm	
FSG1, FYG1	1-1/32	26	
FHG2, 12, 22, 32, 42, 52, FRG2, FSG2, FYG2	29/32	23	
FHG3, 13, 33, FRG3, FSG3, FYG3	1-9/32	33	
FHG9, 19, 29, 39, 49, 59, FSG9, FYG9	1-3/32	28	