

ACT20P-PRO DCDC II-S**Weidmüller Interface GmbH & Co. KG**

Klingenbergstraße 26

D-32758 Detmold

Germany

www.weidmueller.com

Product image**ACT20P: The flexible solution**

- Precise and highly functional signal converters
- Release levers simplify handling

General ordering data

Version	Signal converter/insulator, 24...230 V AC/DC power supply, Input : I/U universal, Output : I/U universal
Order No.	1481970000
Type	ACT20P-PRO DCDC II-S
GTIN (EAN)	4050118291032
Qty.	1 pc(s).

ACT20P-PRO DCDC II-S

Weidmüller Interface GmbH & Co. KG

Klingenbergstraße 26

D-32758 Detmold

Germany

www.weidmueller.com

Technical data

Dimensions and weights

Depth	113.7 mm	Depth (inches)	4.476 inch
Height	119.2 mm	Height (inches)	4.693 inch
Width	12.5 mm	Width (inches)	0.492 inch
Net weight	130 g		

Temperatures

Storage temperature	-40 °C...85 °C	Operating temperature	-20 °C...60 °C
Humidity at operating temperature	0...95 % (no condensation)	Humidity	5...95 %, no condensation

Probability of failure

SIL in compliance with IEC 61508	None	MTBF	76 a
----------------------------------	------	------	------

Input

Input current	configurable, $\pm 0.1\text{mA} \dots \pm 100\text{mA}$	Input resistance, current	$<5\text{mA}$: approx. $100\ \Omega$; $>5\text{mA}$: approx. $5\ \Omega$
Input resistance, voltage	approx. $1\ \text{M}\Omega$	Input signal	Voltage source, Current source
Input voltage	configurable, $\pm 40\text{mV} \dots \pm 300\text{V}$, Measuring range. min 40mV	Number of inputs	1
Sensor	4-wire sensor (with own power supply)		

Output

Cut-off frequency (-3 dB)	$> 10\ \text{kHz} / < 10\ \text{Hz}$	Load impedance current	$\leq 600\ \Omega$
Offset current	$20\ \mu\text{A}$	Offset voltage	$< 10\ \text{mV}$
Output current	configurable, $0 \dots \pm 20\ \text{mA}$	Output voltage, note	Adjustable, $0 \dots \pm 10\ \text{V}$
Type	active (as current source) or passive (as current sink), connected control can be active / passive	load impedance voltage	$\geq 1\ \text{k}\Omega$

Display

Display value	current measured value, Configuration data	Type	Dot-matrix display with ticker text, green
---------------	--	------	--

General data

Accuracy	$< 0.05\%$ of measuring range	Configuration	DIP switch, or via display and push-buttons
Galvanic isolation	3-way isolator, between input / output / supply	Power consumption	$\leq 2.3\ \text{W}$
Protection degree	IP20	Rail	TS 35
Step response time	$\leq 50\ \mu\text{s}$	Temperature coefficient	$\leq 0.01\%$ des Messbereichs/°C
Voltage supply	$24 \dots 230\ \text{V DC} \pm 20\%$, $24 \dots 230\ \text{V AC} \pm 10\%$ @ $48 \dots 62\ \text{Hz}$		

ACT20P-PRO DCDC II-S

Weidmüller Interface GmbH & Co. KG

Klingenbergstraße 26

D-32758 Detmold

Germany

www.weidmueller.com

Technical data

Insulation coordination

EMC standards	EN 61326-1	Galvanic isolation	3-way isolator, between input/output/supply
Impulse withstand voltage	5 kV (1.2/50 µs)	Insulation voltage	4 kV _{eff} , input / output / power supply
Pollution severity	2	Rated voltage	600 V
Surge voltage category	II		

Data for Ex applications (ATEX)

Marking	II 3 G Ex nA IIC T4 Gc
---------	------------------------

Connection data

Type of connection	Screw connection	Tightening torque, min.	0.4 Nm
Tightening torque, max.	0.6 Nm	Clamping range, rated connection	2.5 mm ²
Clamping range, min.	0.5 mm ²	Clamping range, max.	2.5 mm ²
Wire connection cross section AWG, min.	AWG 26	Wire connection cross section AWG, max.	AWG 12

Classifications

ETIM 6.0	EC002653	ETIM 7.0	EC002653
ETIM 8.0	EC002653	ETIM 9.0	EC002653
ECLASS 9.0	27-21-01-20	ECLASS 9.1	27-21-01-20
ECLASS 10.0	27-21-01-20	ECLASS 11.0	27-21-01-20
ECLASS 12.0	27-21-01-20	ECLASS 13.0	27-21-01-20
ECLASS 14.0	27-21-01-20		

Environmental Product Compliance

RoHS Compliance Status	Compliant with exemption
RoHS Exemption (if applicable/known)	7a, 7cl
REACH SVHC	Lead 7439-92-1
SCIP	2f6dd957-421a-46db-a0c2-cf1609156924

Important note

Product information	<p>The universally configurable DC isolating amplifier ACT20P-PRO DCDC II isolates and converts analogue signals. An analogue input signal (current or voltage) is linearly converted into an analogue output signal (current or voltage) and galvanically isolated. The power supply is galvanically isolated from the input and output (3-way isolation).</p> <p>Properties</p> <ul style="list-style-type: none"> • universal wide-range voltage supply • universally configurable via DIP switch or via the LED display using control buttons • Active or passive signal output • Operating status display on a front panel LED • Galvanic 3-way isolation between input, output and supply.
---------------------	---

ACT20P-PRO DCDC II-S

Weidmüller Interface GmbH & Co. KG
 Klingenbergstraße 26
 D-32758 Detmold
 Germany

www.weidmueller.com

Technical data

Approvals

Approvals



Approvals	CULUS;
ROHS	Conform
UL File Number Search	UL Website
Certificate no. (cULus)	E314307
Certificate no. (cULusEX)	E345958

Downloads

Approval/Certificate/Document of Conformity	Declaration of Conformity UL - certification Electrical Equipment DNV German Lloyd approval ATEX certification UL - certification Hazardous Locations IECEX certification
Engineering Data	CAD data – STEP
Software	DIP switch configuration tool
User Documentation	instruction sheet
Catalogues	Catalogues in PDF-format
Brochures	

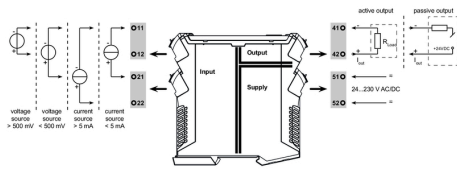
ACT20P-PRO DCDC II-S

Weidmüller Interface GmbH & Co. KG
 Klängenbergstraße 26
 D-32758 Detmold
 Germany

www.weidmueller.com

Drawings

Wiring



DIP switch setting for standard values

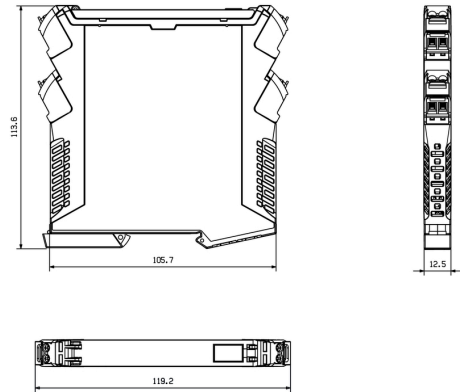
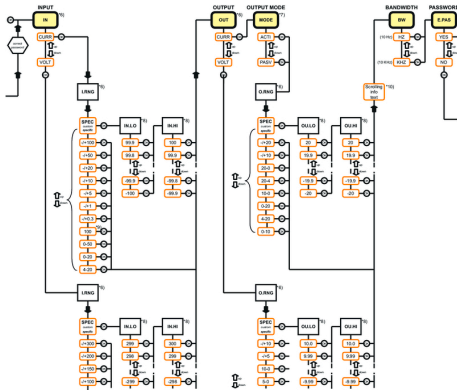
Input range	DIP switch			
	1	2	3	4
configuration via display				
-10...+10 V				
-5...+5V				
0...300 V				
0...100 V				
0...30 V				
0...10 V				
2...10 V				
0...5 V				
1...5 V				
0...150 mV				
0...60 mV				
-20...+20 mA				
0...20 mA				
4...20 mA				
reserved				

Output range	DIP switch			
	5	6	7	8
configuration via display				
-10...+10 V				
-5...+5V				
10...0 V *				
0...10 V				
2...10 V				
5...0 V *				
0...5 V				
1...5 V				
-20...+20 mA				
-10...+10 mA				
20...0 mA *				
0...20 mA				
20...4 mA *				
4...20 mA				
reserved				

■ = ON * Inverted output range: Output polarity must be reversed!

Dimensioned drawing

Configuration menu (part) universal input / output values

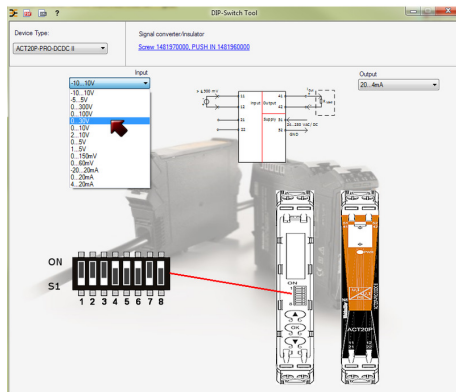


setting via display and push-buttons

ACT20P-PRO DCDC II-S

Weidmüller Interface GmbH & Co. KG
Klingenbergstraße 26
D-32758 Detmold
Germany

www.weidmueller.com

Drawings

example for DIP switch setting (with ACT20 tool)