

ABE9C1281L10

IP67 passive splitter box - cable 10 m - with 8 channels M12 connector - Led



Main

| | |
|---------------------------|--|
| Range of Product | Advantys ABE9 |
| Product or Component Type | IP67 passive splitter box |
| Number of Channels | 8 |
| Electrical connection | 1 pre-wired cable connector, 32.81 ft (10 m) 8 female connectors M12 5 pins |
| Status LED | 1 LED per channel (Yellow) channel status 2 LEDs (Green) power ON |

Complementary

| | |
|--------------------------------|---|
| Number of ways | 16 ways |
| [Ue] rated operational voltage | 24 V DC |
| Current per channel | 4 A |
| Insulation group | Category 3 VDE 0110 |
| Operating position | Any position |
| Fixing Mode | M4 screw fixing |
| Contact resistance | 5000 µOhm |
| Current of common | 16 A 0.00 in ² (1 mm ²) 12 A 0.00 in ² (0.75 mm ²) |
| Separation of commons | Without or with |
| Net Weight | 6.75 lb(US) (3.06 kg) |

Environment

| | |
|---------------------------------------|---|
| IP degree of protection | IP67 conforming to IEC 529 |
| Product Certifications | cULus |
| Ambient Air Temperature for Operation | -4...176 °F (-20...80 °C) |
| Ambient Air Temperature for Storage | -40...185 °F (-40...85 °C) |
| Vibration resistance | 0.2 gn 57...150 Hz)IEC 68-2-6, FC tests |
| Shock resistance | 30 gn 11 ms EN 68-2-2 |

Ordering and shipping details

| | |
|-------------------|-----------------------------|
| Category | 18125-MODSOFT LITE SOFTWARE |
| Discount Schedule | PC12 |
| GTIN | 3389110404678 |
| Returnability | No |
| Country of origin | DE |

Packing Units

| | |
|------------------------------|------------------------|
| Unit Type of Package 1 | PCE |
| Number of Units in Package 1 | 1 |
| Package 1 Height | 3.46 in (8.800 cm) |
| Package 1 Width | 12.80 in (32.500 cm) |
| Package 1 Length | 14.29 in (36.300 cm) |
| Package 1 Weight | 5.26 lb(US) (2.386 kg) |

| | |
|------------------------------|--------------------------|
| Unit Type of Package 2 | S03 |
| Number of Units in Package 2 | 4 |
| Package 2 Height | 11.81 in (30.000 cm) |
| Package 2 Width | 11.81 in (30.000 cm) |
| Package 2 Length | 15.75 in (40.000 cm) |
| Package 2 Weight | 23.59 lb(US) (10.700 kg) |

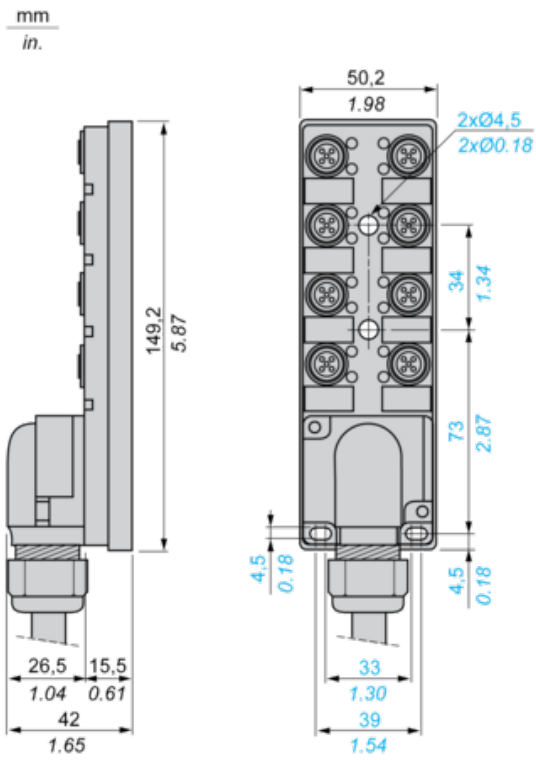
Offer Sustainability

| | |
|----------------------------|---|
| California proposition 65 | WARNING: This product can expose you to chemicals including: Lead and lead compounds, which is known to the State of California to cause cancer and birth defects or other reproductive harm. For more information go to www.P65Warnings.ca.gov |
| REACH Regulation | REACH Declaration |
| REACH free of SVHC | Yes |
| EU RoHS Directive | Pro-active compliance (Product out of EU RoHS legal scope) EU RoHS Declaration |
| Toxic heavy metal free | Yes |
| Mercury free | Yes |
| China RoHS Regulation | China RoHS Declaration |
| RoHS exemption information | Yes |
| WEEE | The product must be disposed on European Union markets following specific waste collection and never end up in rubbish bins. |

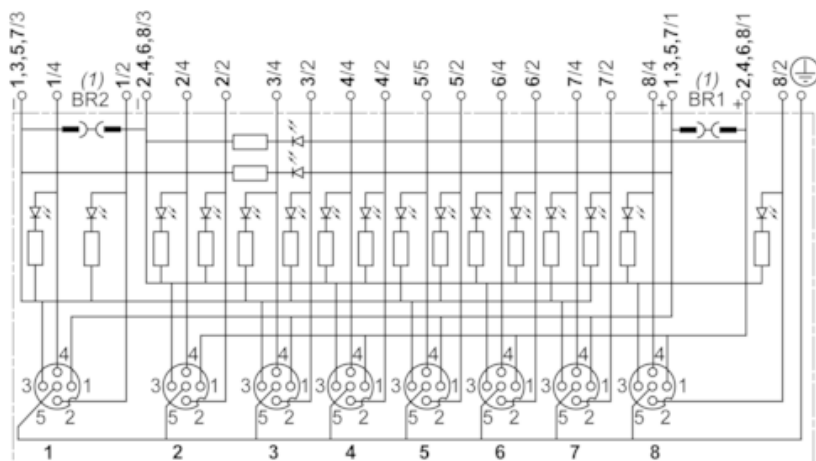
Contractual warranty

| | |
|----------|-----------|
| Warranty | 18 months |
|----------|-----------|

Dimensions



Wiring Diagram



(1) BR1 and BR2: removable link

| Item | Terminal | Wire |
|---------------|----------|--------------|
| 1/4 | 1 | White |
| 1/2 | 9 | Grey/pink |
| 2/4 | 2 | Green |
| 2/2 | 10 | Red/blue |
| 3/4 | 3 | Yellow |
| 3/2 | 11 | White/green |
| 4/4 | 4 | Grey |
| 4/2 | 12 | Brown/green |
| 5/4 | 5 | Pink |
| 5/2 | 13 | White/yellow |
| 6/4 | 6 | Red |
| 6/2 | 14 | Yellow/brown |
| 7/4 | 7 | Black |
| 7/2 | 15 | White/grey |
| 8/4 | 8 | Violet |
| 8/2 | 16 | Grey/brown |
| 1, 3, 5 & 7/1 | +1 | Brown 1 |
| 2, 4, 6 & 8/1 | +2 | Brown 2 |
| 1, 3, 5 & 7/3 | -1 | Blue 1 |
| 2, 4, 6 & 8/3 | -2 | Blue 2 |
| 1...8/5 | PE | Green/yellow |

Connection Terminals

