



Wiremold

# 863 Series™ Wood Floor Boxes

## Round Floor Boxes For Retrofit Residential Wood Floor Applications



Wiremold® 863 Series Residential Wood Floor Boxes provide an excellent and cost-effective solution for power and communication requirements in open space areas.

863 Series Floor Boxes provide dual service capability in an unobtrusive, compact, round floor box package. And 863 Series Floor Boxes are available with either brass or brushed aluminum covers to complement any residential environment.



863 Series Floor Boxes provide unobtrusive access to power and communications.

### FEATURES & BENEFITS

- **Dual service box.** Provides duplex power and two ports of communication services in one compact, round, PVC box.
- **Individual communication device covers.** Provides individual device protection when device is not in use.
- **Round design for better aesthetics.** Ensures the best possible finish for better aesthetics without the worry of properly orienting a square or rectangular shape in the floor.
- **Aesthetic cover finish options.** Cover assemblies available in both brass and brushed aluminum.
- **For use on tile carpet, or wood-covered floors.**
- **TopGuard protection.** An integral design which keeps out water, dirt, and debris from the power compartment.
- **Datacom connectivity options.** Accepts industry standard and proprietary devices from a wide range of manufacturers to provide a seamless and aesthetically pleasing interface for voice, data, audio, and video applications at the point-of-use. A wide selection of data and bezel options are available.
- **Boxes and covers have been listed by Underwriters Laboratories Inc. to their standard UL514A, 514C, 514D, and Canadian standard C22.2.**

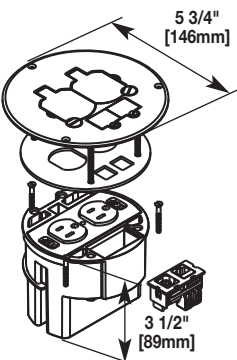
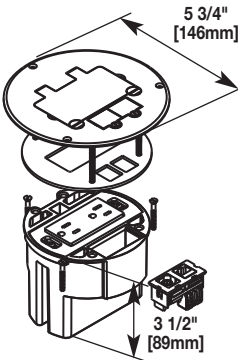
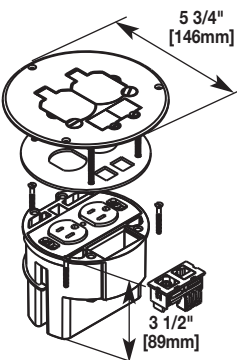
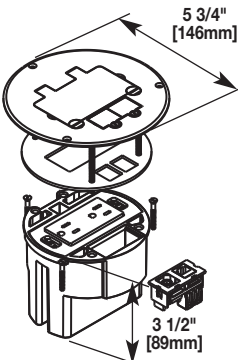


863 Series Floor Box are available with brushed aluminum or brass cover plates



An 863 Series Dual Service Floor Box.

## 863 Series Floor Boxes Ordering Information

Catalog No./Item	Description/Specifications	Catalog No./Item	Description/Specifications
<b>863DPCOM</b> 	<b>Dual Service Box Kit</b> – Includes round PVC floor box, one 15A, 125V tamper-resistant duplex receptacle, one coax F connector, one RJ45 Category 5e connector, and brass duplex opening cover plate with two flip lids.	<b>863DRGFICOM</b> 	<b>Dual Service Box Kit</b> – Includes round PVC floor box, one 15A, 125V tamper-resistant decorator style duplex receptacle, one coax F connector, one RJ45 Category 5e connector, and brass duplex opening cover plate with single flip lid.
<b>863DPCOMAL</b> 	<b>Dual Service Box Kit</b> – Includes round PVC floor box, one 15A, 125V tamper-resistant duplex receptacle, one coax F connector, one RJ45 Category 5e connector, and brushed aluminum duplex opening cover plate with two flip lids.	<b>863DRGFICOMAL</b> 	<b>Dual Service Box Kit</b> – Includes round PVC floor box, one 15A, 125V tamper-resistant decorator style duplex receptacle, one coax F connector, one RJ45 Category 5e connector, and brushed aluminum duplex opening cover plate with single flip lid.

## 863 Series Floor Box Installation Information

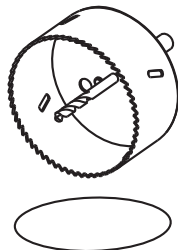
**PRODUCTS COVERED:** 863DRGFICOM, 863DRGFICOMAL, 863DPCOM, & 863DPCOMAL

**Applications:** This unit is for wood floors with: subflooring with carpet and padding, or subflooring with hardwood or linoleum floor covering

**IMPORTANT:** Please read all instructions before beginning.

### OUTLET BOX INSTALLATION:

1. Determine the floor box location. (Make sure the placement does not interfere with obstructions below such as floor joists, HVAC duct, light fixtures, etc.). Drill a hole through the flooring with either a 4 3/8" or 4 1/2" [111mm - 114mm] hole saw.

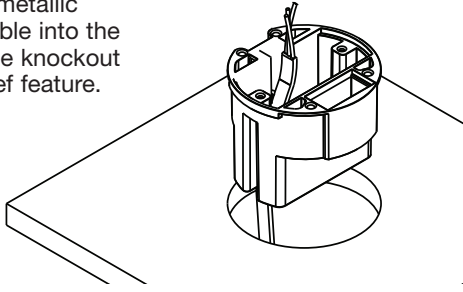


2. Pull the nonmetallic sheathed cable approximately 12" [305mm] up and through the hole.



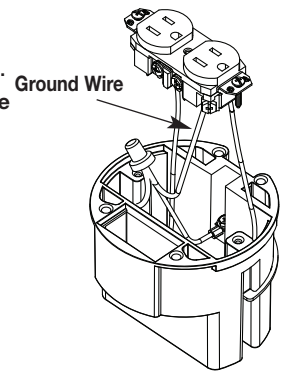
## 863 Series Floor Box Installation Information (continued)

3. Pull the nonmetallic sheathed cable into the box using the knockout or strain relief feature.

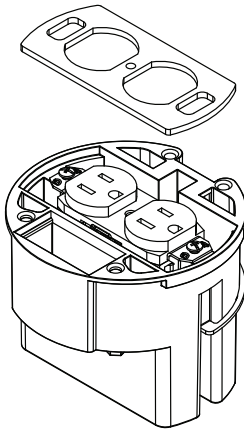


4. Remove any plaster ears from the receptacle before wiring and attaching the receptacle to the box.

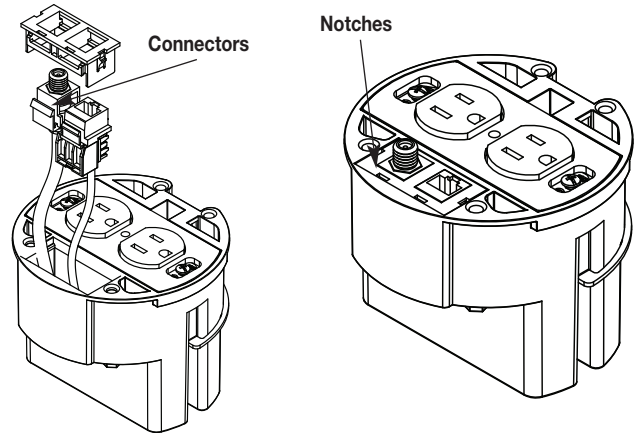
**Note:** The ground wire in the box, the sheathed cable, and a pigtail from the receptacle all need to be connected to properly ground this box and cover.



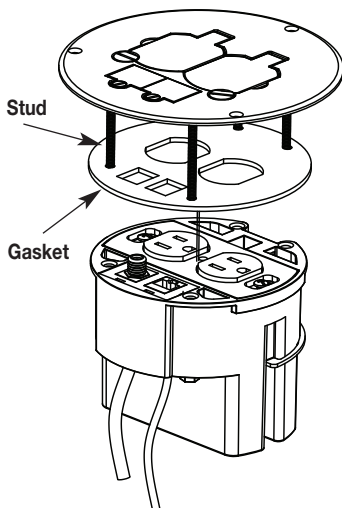
5. Place the gasket support plate over the receptacle and attach it with supplied #6 round head screw (duplex style receptacle only).



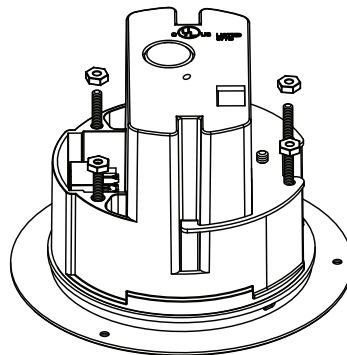
6. Pull data cables through the box, and attach the cables to supplied connectors. Insert the connectors with cable into the supplied bezel. - Snap the bezel into the round box. **(Note: Notches in the bezel have to face out - see figure 1).**



7. Place the gasket over the support plate, and slide the cover with four attached #8/32 studs into the round box.



8. Attach the cover to the box using supplied #8/32 hex nuts, tighten the hex nuts until the gasket is compressed approximately 50% (1/16 in.) [1.6mm] of the thickness or more.



9. Attach assembled unit to the floor using supplied #5 - 3/4" [19mm] wood screws - Drill Pilot Hole - 1/16" [1.6mm] Soft Wood, 5/16" [7.9mm] Hard Wood.

