



Main

Range of product	Modicon Momentum automation platform
Product or component type	Discrete relay I/O base AC
Group of channels	2 groups of 4 outputs 1 group of 10 inputs
Discrete input number	10 IEC 1131-2 Type 1
Discrete input logic	Positive
Discrete input voltage	24...230 V AC
Discrete output number	8
Discrete output type	Relay normally open
Discrete output voltage	24...230 V AC
Protective treatment	TC

Complementary

[Us] rated supply voltage	120 V AC
Input voltage limits	-3...30 V
Voltage state 0 guaranteed	-3...5 V
Voltage state 1 guaranteed	11...30 V
Current state 0 guaranteed	≤ 1.2 mA
Current state 1 guaranteed	≥ 2.5 mA
Input resistance	4 kOhm
Discrete output current	≤ 0.15 mA 115 V inductive ≤ 0.5 mA 115 V resistive ≤ 1 mA 24 V inductive ≤ 2 mA 24 V resistive ≥ 0.005 A 24 V
Output overload protection	External by varistor in parallel with each contact
Output short-circuit protection	External by varistor in parallel with each contact
Mechanical durability	30000000 cycles
Electrical durability	100000 cycles inductive
Response time	10 ms 60 Hz from state 0 to state 1 on output 10 ms 60 Hz from state 1 to state 0 on output 2.2 ms from state 0 to state 1 on input 3.3 ms from state 1 to state 0 on input
Isolation between output channels group	1780 V AC
Isolation between group of I/O channels	1780 V AC
Isolation between channels and bus	500 V AC
Power dissipation	5.5 W ≤ 8.5 W
Protection type	Without protection
Associated fuse rating	4 A fast blow operating voltage
Marking	CE

Terminals description PLC n°1	(8)IN_DIS#8 (4)IN_DIS#4 TB (9)IN_DIS#9 (3)IN_DIS#3 (7)IN_DIS#7 (L1)PW (6)IN_DIS#6 (1)IN_DIS#1 (10)IN_DIS#10 (5)IN_DIS#5 (N)PW (2)IN_DIS#2
Terminals description PLC n°2	(1)OUT_DIS#1 (1L+)PW (8)OUT_DIS#8 (7)OUT_DIS#7 (5)OUT_DIS#5 (6)OUT_DIS#6 (3)OUT_DIS#3 (4)OUT_DIS#4 (2)OUT_DIS#2 (2L1)PW TB_1
Current consumption	5 mA 120 V AC
Depth	1.87 in (47.5 mm)
Height	5.57 in (141.5 mm)
Maximum Width	4.92 in (125 mm)
Net Weight	0.57 lb(US) (0.26 kg)

Environment

Product certifications	UL FM Class 1 Division 2 CSA
Resistance to electrostatic discharge	4 KV contact IEC 801-2 8 kV on air IEC 801-2
Resistance to electromagnetic fields	9.14 V/m (10 V/m) 80...1000 MHz IEC 801-3
Ambient air temperature for operation	32...140 °F (0...60 °C)
Ambient air temperature for storage	-40...185 °F (-40...85 °C)
Relative humidity	95 % without condensation
Operating altitude	<= 16404.2 ft (5000 m)

Ordering and shipping details

Category	18206 - MOMENTUM PROCESSORS,I/O BASES,CONN.
Discount Schedule	PC31
GTIN	00785901406129
Nbr. of units in pkg.	1
Package weight(Lbs)	1.15 lb(US) (0.52 kg)
Returnability	No
Country of origin	ID

Packing Units

Package 1 Height	3.54 in (90.000 mm)
Package 1 width	7.09 in (180.000 mm)
Package 1 Length	10.24 in (260.000 mm)

Offer Sustainability

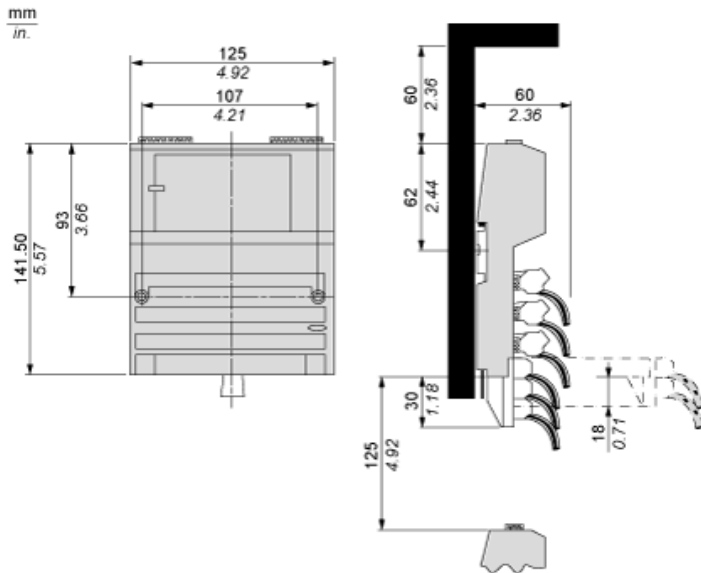
Sustainable offer status	Green Premium product
California proposition 65	WARNING: This product can expose you to chemicals including: Lead and lead compounds, which is known to the State of California to cause cancer and birth defects or other reproductive harm. For more information go to www.P65Warnings.ca.gov
REACH Regulation	REACH Declaration
EU RoHS Directive	Pro-active compliance (Product out of EU RoHS legal scope) EU RoHS Declaration
Mercury free	Yes
RoHS exemption information	Yes
China RoHS Regulation	China RoHS Declaration
Environmental Disclosure	Product Environmental Profile
Circularity Profile	End Of Life Information
WEEE	The product must be disposed on European Union markets following specific waste collection and never end up in rubbish bins.

Contractual warranty

Warranty	18 months
----------	-----------

Standard Adapter on a Typical Base

Dimensions

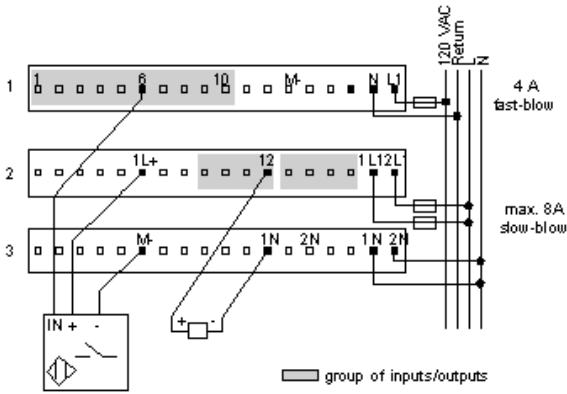


Mounting on a Wall

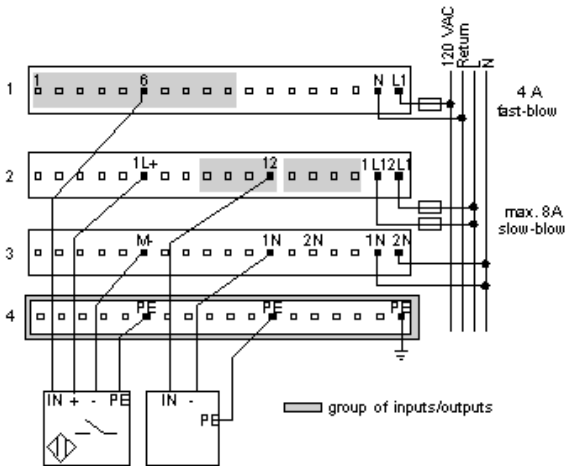


External Wiring Diagrams

3-Wire Sensor with a 2-Wire Actuator



4-Wire Sensor with a 3-Wire Actuator



Internal Pin Connections

Rows 1 through 3 show the internal connections between terminals on the I/O base. Row 4 shows the internal connections on the optional busbar.

