



Main

Range of product	Modicon Quantum automation platform
Product or component type	Mixed discrete I/O module
Discrete I/O number	24

Complementary

Discrete input number	16 2 groups of 8
Addressing requirement	1 input word 0.5 output word
Network frequency limits	47...63 Hz
Discrete input voltage	115 V AC
Input voltage limits	156 V during 10 s 200 V during one cycle 132 V typical
Voltage state 0 guaranteed	0...20 V
Voltage state 1 guaranteed	79...132 V 60 Hz 85...132 V 50 Hz
Current state 0 guaranteed	<= 0.5 mA
Current state 1 guaranteed	<= 11 mA 50 Hz <= 13.2 mA 60 Hz
Input impedance	14400 Ohm capacitive
Response time	4.9...0.75 ms at state 0 to state 1 7.3...12.3 ms at state 1 to state 0
Discrete output number	8 2 groups of 4
Discrete output type	Solid state
Discrete output voltage	115 V
Output voltage limits	156 V AC during 10 s 200 V AC during 1 cycle 85...132 V typical AC typical
Minimum load	5 mA
Maximum load current	<= 4 A per point <= 8 A per group <= 8 A per module
Maximum voltage drop	<1.5 V
Absolute maximum output	20 A 2 cycles per point 26 A 3 cycles per group 30 A 1 cycle per point 30 A 2 cycles per group 45 A 1 cycle per group 10 A 3 cycles per point
DV/dt	400 V/μs
Maximum leakage current	2.1 MA 115 V AC input circuit 2 mA output circuit
Response time on output	<= 0.5 ms at state 0 to state 1 <= 0.5 ms at state 1 to state 0

The information provided in this documentation contains general descriptions and/or technical characteristics of the performance of the products contained herein. This documentation is not intended as a substitute for and is not to be used for determining suitability or reliability of these products for specific user applications. It is the duty of any such user or integrator to perform the appropriate and complete risk analysis, evaluation and testing of the products with respect to the relevant specific application or use thereof. Neither Schneider Electric Industries SAS nor any of its affiliates or subsidiaries shall be responsible or liable for misuse of the information contained herein.

Protection type	On output by RC filter Internal output protection by 5 A fuse per group
Isolation between group	1000 Vrms for 1 minute
Isolation between channels and bus	1780 Vrms for 1 minute
Fault indication	Loss of field power on output Blown fuse on output
Power dissipation	5.5 W + (1.1 x total module load current)
External power requirement	85...132 V AC for output circuit
Local signalling	Bus communication is present (Active) 1 LED green) No voltage in output and input (F) 1 LED red) Output is turned on 2 LEDs green) Fault detected on the input point 2 LEDs red) Fault detected on the output point 2 LEDs red)
Marking	CE
Bus current requirement	250 mA
Net Weight	0.99 lb(US) (0.45 kg)

Environment

Resistance to electrostatic discharge	4 KV contact IEC 801-2 8 kV on air IEC 801-2
Resistance to electromagnetic fields	9.14 V/m (10 V/m) 80...1000 MHz IEC 801-3
Ambient air temperature for operation	32...140 °F (0...60 °C)
Ambient air temperature for storage	-40...185 °F (-40...85 °C)
Relative humidity	95 % without condensation
Operating altitude	<= 16404.2 ft (5000 m)
Standards	FM Class 1 Division 2 UL 508 CSA C22.2 No 142
Product certifications	CUL

Ordering and shipping details

Category	18155 - QUANTUM I/O & POWER SUPPLIES
Discount Schedule	PC21
GTIN	00785901013952
Nbr. of units in pkg.	1
Package weight(Lbs)	2.21 lb(US) (1.00 kg)
Returnability	No
Country of origin	CN

Packing Units

Unit Type of Package 1	PCE
Package 1 Height	1.97 in (5 cm)
Package 1 width	6.50 in (16.5 cm)
Package 1 Length	12.40 in (31.5 cm)
Unit Type of Package 2	S02
Number of Units in Package 2	2
Package 2 Weight	2.43 lb(US) (1.1 kg)
Package 2 Height	5.91 in (15 cm)
Package 2 width	11.81 in (30 cm)
Package 2 Length	15.75 in (40 cm)

Offer Sustainability

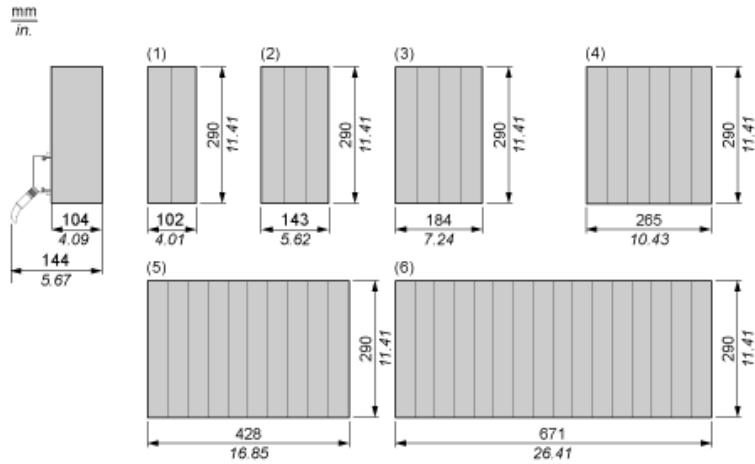
Sustainable offer status	Green Premium product
California proposition 65	WARNING: This product can expose you to chemicals including: Lead and lead compounds, which is known to the State of California to cause cancer and birth defects or other reproductive harm. For more information go to www.P65Warnings.ca.gov
REACH Regulation	REACH Declaration
REACH free of SVHC	Yes
EU RoHS Directive	Pro-active compliance (Product out of EU RoHS legal scope) EU RoHS Declaration
Mercury free	Yes
RoHS exemption information	Yes
China RoHS Regulation	China RoHS Declaration
Environmental Disclosure	Product Environmental Profile
Circularity Profile	End Of Life Information
WEEE	The product must be disposed on European Union markets following specific waste collection and never end up in rubbish bins.

Contractual warranty

Warranty	18 months
----------	-----------

Racks for Modules Mounting

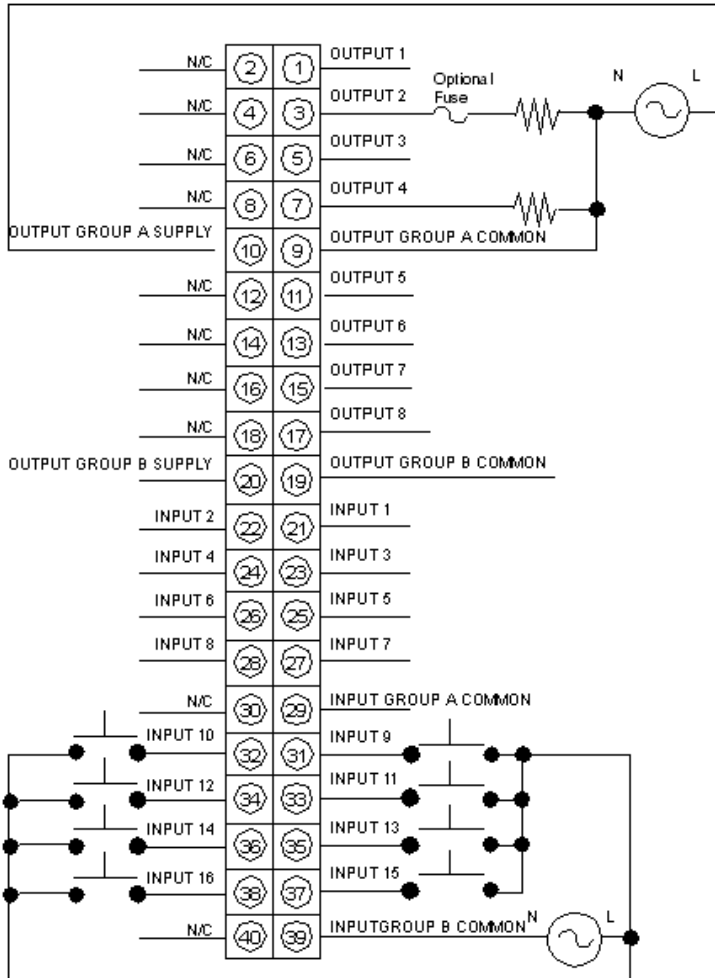
Dimensions of Modules and Racks



- (1) 2 slots
- (2) 3 slots
- (3) 4 slots
- (4) 6 slots
- (5) 10 slots
- (6) 16 slots

115 Vac Discrete Input/Output Module

Wiring Diagram



N/C Not Connected