

XVGU3SHAV

Pre assembled USB programmable tower lights, Harmony XVGU, multi color, 60mm, steady flashing LED, buzzer



Main

Range of Product	Harmony XVGU
Product or Component Type	USB configurable monolithic tower light
Beacon or indicator bank unit type	3 illuminated units
Sound signalling	Buzzer
Mounting diameter	2.36 in (60 mm)
Component name	XVGU
Light source	LED steady or flashing multi-colour
Indicator bank base type	Base with integrated buzzer
Noise level	85 dB 2 tone buzzer)1 m

Complementary

Material	PC: globe
Device mounting	Tube mounting with fixing plate
Light block color	Clear/clear/clear
[Us] rated supply voltage	5 V DC
Connector Type	USB type A female
Current Consumption	400 mA
Sound frequency	3800 Hz 2700 Hz
Power Consumption in W	2 W
Flashing frequency	2 Hz flashing LED unit 1 Hz flashing LED unit
Product compatibility	Vijeo Designer 4.6 indoor use only HMIGTO XBTGT.... XBTGK.... XBTGC1. XBTGC2. XBTGH
Net Weight	0.66 lb(US) (0.3 kg)

Environment

Standards	IEC 61000-6-2 IEC 61000-6-4
Product Certifications	GOST[RETURN]CE[RETURN]UL 508[RETURN]cUL[RETURN]RCM
Ambient Air Temperature for Storage	-31...158 °F (-35...70 °C)
Ambient Air Temperature for Operation	32...131 °F (0...55 °C)
Electrical shock protection class	Class I
IP Degree of Protection	IP54

The information provided in this documentation contains general descriptions and/or technical characteristics of the performance of the products contained herein. This documentation is not intended as a substitute for and is not to be used for determining suitability or reliability of these products for specific user applications. It is the duty of any such user or integrator to perform the appropriate and complete risk analysis, evaluation and testing of the products with respect to the relevant specific application or use thereof. Neither Schneider Electric Industries SAS nor any of its affiliates or subsidiaries shall be responsible or liable for misuse of the information contained herein.

Ordering and shipping details

Category	22618-XVU TOWER LIGHTS
Discount Schedule	XV
GTIN	3606480530937
Returnability	Yes
Country of origin	ID

Packing Units

Unit Type of Package 1	PCE
Number of Units in Package 1	1
Package 1 Height	3.23 in (8.2 cm)
Package 1 Width	5.12 in (13.0 cm)
Package 1 Length	16.34 in (41.5 cm)
Package 1 Weight	15.87 oz (450.0 g)
Unit Type of Package 2	P06
Number of Units in Package 2	35
Package 2 Height	31.50 in (80 cm)
Package 2 Width	31.50 in (80 cm)
Package 2 Length	23.62 in (60 cm)
Package 2 Weight	63.38 lb(US) (28.75 kg)

Offer Sustainability

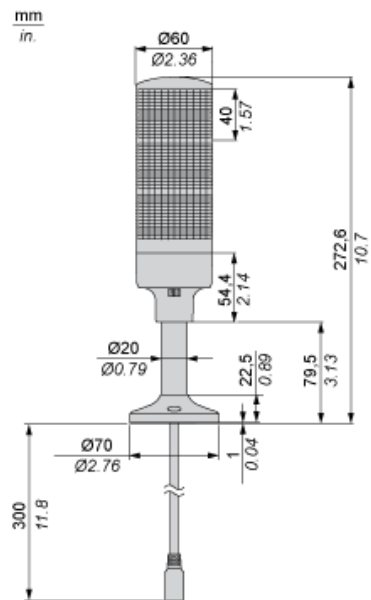
Sustainable offer status	Green Premium product
California proposition 65	WARNING: This product can expose you to chemicals including: Lead and lead compounds, which is known to the State of California to cause cancer and birth defects or other reproductive harm. For more information go to www.P65Warnings.ca.gov
REACH Regulation	REACH Declaration
EU RoHS Directive	Pro-active compliance (Product out of EU RoHS legal scope)
Mercury free	Yes
China RoHS Regulation	China RoHS Declaration
RoHS exemption information	Yes
Environmental Disclosure	Product Environmental Profile
Circularity Profile	No need of specific recycling operations
WEEE	The product must be disposed on European Union markets following specific waste collection and never end up in rubbish bins.

Contractual warranty

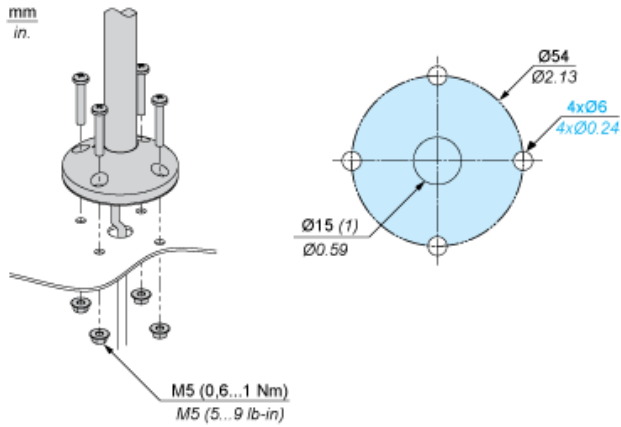
Warranty	18 months
----------	-----------

Dimensions

Tube Mounting with Fixing Plate

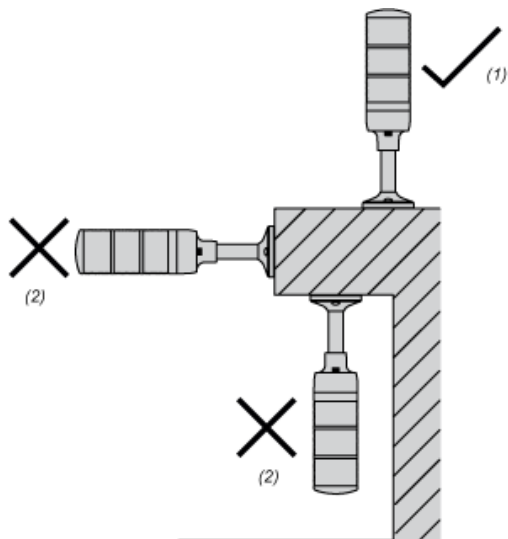


Mounting on Horizontal Support for Tube Mounting with Fixing Plate



(1) Cable outlet

Mounting Orientation



Choose a flat surface with enough strength and with little vibration for installation. Mount this product according to the figure to maintain IP characteristics.

- (1) OK
- (2) NO