

# Product data sheet

## Characteristics

# VW3A7601R20

braking resistor - 10 ohm - 400 W - cable 2 m - IP65



### Main

Range of Product	Altivar Lexium
Range Compatibility	Lexium 15 Lexium 52 Lexium 28 Lexium 05 Lexium 32 Lexium 32i
Product or Component Type	Braking resistor
Ohmic value	10 Ohm

### Complementary

Energy peak	7300 J 400 V 7300 J 480 V 13300 J 230 V 18800 J 115 V
Continuous power	400 W
Protection Type	Thermal protection via the servo drive
Net Weight	3.24 lb(US) (1.47 kg)
Cable length	6.56 ft (2 m)

### Environment

IP Degree of Protection	IP65
Ambient Air Temperature for Storage	-13...185 °F (-25...85 °C)
Ambient Air Temperature for Operation	32...122 °F (0...50 °C)

### Ordering and shipping details

Category	18263-LEXIUM 32 ACCESSORIES
Discount Schedule	PC51
GTIN	3389119207096
Returnability	No
Country of origin	DE

### Packing Units

Unit Type of Package 1	PCE
Number of Units in Package 1	1
Package 1 Height	1.77 in (4.5 cm)
Package 1 Width	15.75 in (40.0 cm)
Package 1 Length	5.12 in (13.0 cm)
Package 1 Weight	3.24 lb(US) (1.47 kg)

The information provided in this documentation contains general descriptions and/or technical characteristics of the performance of the products contained herein. This documentation is not intended as a substitute for and is not to be used for determining suitability or reliability of these products for specific user applications. It is the duty of any such user or integrator to perform the appropriate and complete risk analysis, evaluation and testing of the products with respect to the relevant specific application or use thereof. Neither Schneider Electric Industries SAS nor any of its affiliates or subsidiaries shall be responsible or liable for misuse of the information contained herein.

## Offer Sustainability

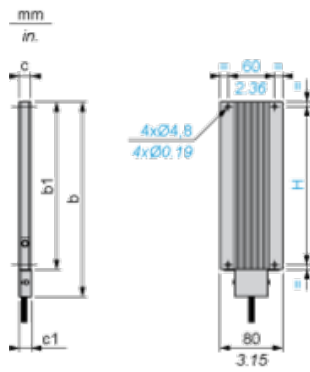
California proposition 65	WARNING: This product can expose you to chemicals including: Lead and lead compounds, which is known to the State of California to cause cancer and birth defects or other reproductive harm. For more information go to <a href="http://www.P65Warnings.ca.gov">www.P65Warnings.ca.gov</a>
REACH Regulation	<a href="#">REACH Declaration</a>
REACH free of SVHC	Yes
EU RoHS Directive	Pro-active compliance (Product out of EU RoHS legal scope)
Mercury free	Yes
China RoHS Regulation	<a href="#">China RoHS Declaration</a>
RoHS exemption information	<a href="#">Yes</a>
PVC free	Yes

## Contractual warranty

Warranty	18 months
----------	-----------

Braking Resistor

Dimensions



Dimensions in mm

b	b1	c	c1	H
257	216	30	-	204

Dimensions in in.

b	b1	c	c1	H
10.11	8.50	1.18	-	8.03