



### Main

|                           |                               |
|---------------------------|-------------------------------|
| Range of Product          | Modicon MCM                   |
| Product or Component Type | Non-safe communication module |
| Device short name         | XPSMCM                        |
| [Us] rated supply voltage | 24 V - 20...20 % DC           |

### Complementary

|  |  |
|--|--|
| Power dissipation in W                 | 3 W  |
| Quality labels                         | CE   |
| Range Compatibility                    | Preventa XPSMCM  |
| Connector type                         | Male SUB-D 9   |
| Number of port                         | 1  |
| Method of access                       | Server   |
| Transmission rate                      | 10 kbit/s<br>20 kbit/s<br>50 kbit/s<br>100 kbit/s<br>125 kbit/s<br>250 kbit/s<br>500 kbit/s<br>800 kbit/s<br>1 Mbit/s<br>Autodetected  |
| Communication port protocol            | CANopen  |
| Current Consumption                    | 0.125 mA   |
| Maximum cable distance between devices | 8202.10 Ft (2500 m)<br>3280.84 Ft (1000 m)<br>2460.63 Ft (750 m)<br>1640.42 Ft (500 m)<br>820.21 Ft (250 m)<br>328.08 Ft (100 m)<br>164.04 Ft (50 m)<br>82.02 ft (25 m)                |
| Local signalling                       | LED green PWR power ON<br>LED green RUN operating<br>LED red E IN internal error<br>LED red E EX external error<br>LED green/red OP operating<br>LED green/red ERR communication error |
| Connections - terminals                | 2 captive screw clamp terminals, removable terminal block  |

|                     |  |
|---------------------|--|
| Cable cross section | 0.00...0.00 In <sup>2</sup> (0.2...1.5 mm <sup>2</sup> ) - AWG 24...AWG 16 flexible without cable end<br>0.00...0.00 In <sup>2</sup> (0.2...2.5 mm <sup>2</sup> ) - AWG 24...AWG 14 flexible without cable end<br>0.00...0.00 In <sup>2</sup> (0.25...1 mm <sup>2</sup> ) - AWG 23...AWG 18 flexible with cable end, without bezel<br>0.00...0.00 In <sup>2</sup> (0.25...2.5 mm <sup>2</sup> ) - AWG 23...AWG 14 flexible with cable end, with bezel<br>0.00...0.00 In <sup>2</sup> (0.25...2.5 mm <sup>2</sup> ) - AWG 23...AWG 14 flexible with cable end, without bezel<br>0.00...0.00 In <sup>2</sup> (0.5...1.5 mm <sup>2</sup> ) - AWG 20...AWG 16 flexible with cable end, with double bezel<br>0.00...0.00 In <sup>2</sup> (0.2...1 mm <sup>2</sup> ) - AWG 24...AWG 18 solid without cable end<br>0.00...0.00 in <sup>2</sup> (0.2...2.5 mm <sup>2</sup> ) - AWG 24...AWG 14 solid without cable end |
| Mounting support    | Omega 35 mm DIN rail EN 50022  |
| Width               | 0.89 in (22.5 mm)  |
| Height              | 3.90 in (99 mm)  |
| Depth               | 4.51 in (114.5 mm)   |
| Net Weight          | 0.66 lb(US) (0.3 kg)   |

## Environment

|                                       |   |
|---------------------------------------|---|
| Product Certifications                | cULus[RETURN]RCM[RETURN]TÜV   |
| IP Degree of Protection               | IP20  |
| Ambient Air Temperature for Operation | 14...131 °F (-10...55 °C)   |
| Ambient Air Temperature for Storage   | -4...185 °F (-20...85 °C)   |
| Relative humidity                     | 10...95 %   |
| Pollution degree                      | 2   |
| Insulation                            | 250 V AC between power supply and housing IEC 61800-5-1   |
| Overvoltage category                  | II  |
| Electromagnetic compatibility         | Electrostatic discharge immunity test - test level: 6 kV (on contact) conforming to IEC 61000-4-2<br>Electrostatic discharge immunity test - test level: 20 kV (on air) conforming to IEC 61000-4-2<br>Susceptibility to electromagnetic fields - test level: 10 V/m (80...1000 MHz) conforming to IEC 61000-4-3<br>Susceptibility to electromagnetic fields - test level: 30 V/m (1.4 GHz...2 GHz) conforming to IEC 61000-4-3 |
| Vibration resistance                  | +/-0.35 mm 10...55 Hz)IEC 61496-1   |
| Shock resistance                      | 10 gn 16 ms) 1000 shocks on each axis IEC 61496-1   |
| Operating altitude                    | 6561.68 ft (2000 m)   |
| Service Life                          | 20 year(s)  |

## Ordering and shipping details

|                   |                                 |
|-------------------|---------------------------------|
| Category          | 22477-SAFETY MODULES (PREVENTA) |
| Discount Schedule | SAF2                            |
| GTIN              | 3606480748349                   |
| Returnability     | No                              |
| Country of origin | IT                              |

## Packing Units

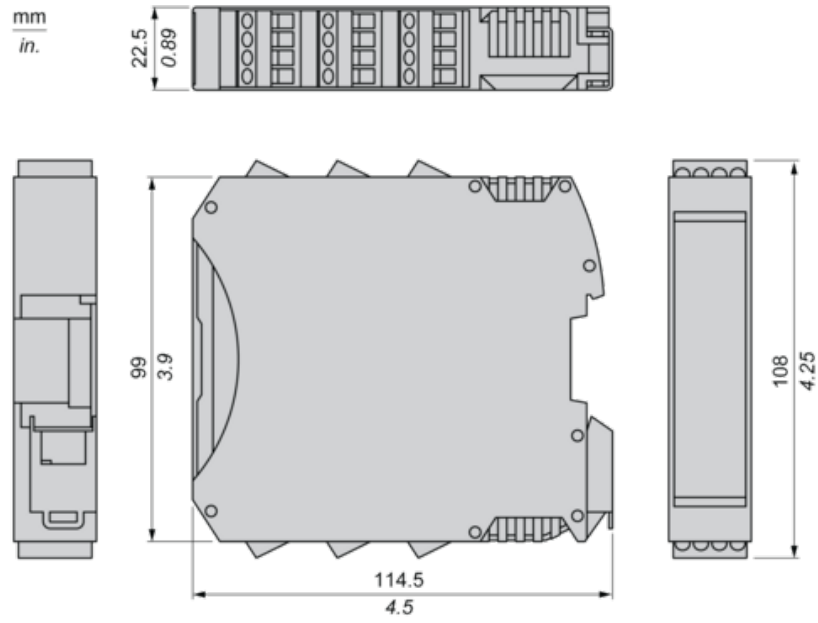
|                              |                        |
|------------------------------|------------------------|
| Unit Type of Package 1       | PCE                    |
| Number of Units in Package 1 | 1                      |
| Package 1 Height             | 1.77 in (4.5 cm)       |
| Package 1 Width              | 5.04 in (12.8 cm)      |
| Package 1 Length             | 6.38 in (16.2 cm)      |
| Package 1 Weight             | 7.48 oz (212.0 g)      |
| Unit Type of Package 2       | S01                    |
| Number of Units in Package 2 | 6                      |
| Package 2 Height             | 5.91 in (15.0 cm)      |
| Package 2 Width              | 5.91 in (15.0 cm)      |
| Package 2 Length             | 15.75 in (40.0 cm)     |
| Package 2 Weight             | 3.34 lb(US) (1.513 kg) |

## Offer Sustainability

|                            |   |
|----------------------------|---|
| Sustainable offer status   | Green Premium product   |
| California proposition 65  | WARNING: This product can expose you to chemicals including: Lead and lead compounds, which is known to the State of California to cause cancer and birth defects or other reproductive harm. For more information go to <a href="http://www.P65Warnings.ca.gov">www.P65Warnings.ca.gov</a> |
| REACH Regulation           | <a href="#">REACH Declaration</a>   |
| REACH free of SVHC         | Yes   |
| EU RoHS Directive          | Pro-active compliance (Product out of EU RoHS legal scope)  |
| Mercury free               | Yes   |
| China RoHS Regulation      | <a href="#">China RoHS Declaration</a>  |
| RoHS exemption information | <a href="#">Yes</a>   |
| Environmental Disclosure   | <a href="#">Product Environmental Profile</a>   |
| Circularity Profile        | <a href="#">End Of Life Information</a>   |
| WEEE                       | The product must be disposed on European Union markets following specific waste collection and never end up in rubbish bins.  |
| PVC free                   | Yes   |

Dimensions

Screw Terminal

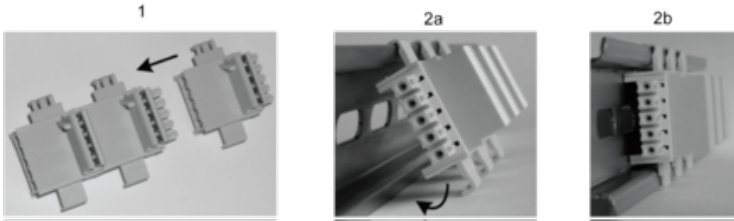


---

Mounting Safety Controller CPU with Module(s)

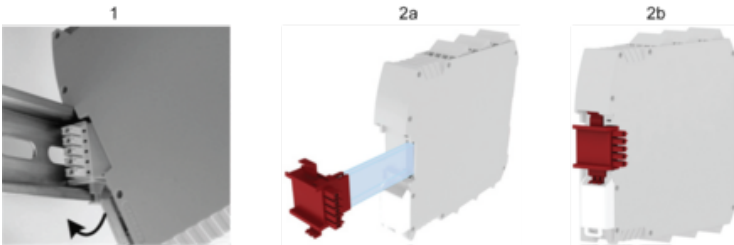
---

Mount BackPlane Connector on Rail



- 1 : Connect as much Backplane Connector as module to be install.
- 2 : Fix the connectors to the rail (Top first).

Mount Safety Controller CPU with Other Module(s)



- 1 : Mount controller CPU and modules on rail.
- 2 : Make sure that the controller CPU or the module(s) are plugged on the BackPlane connector.

Connection & Schema

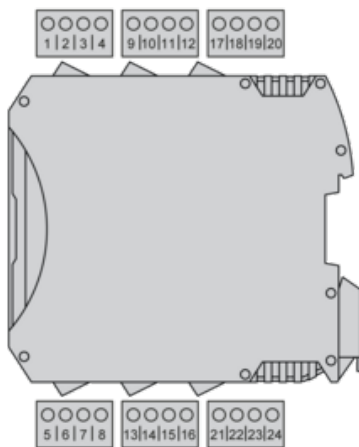
CANOpen Connector



|             |   |
|-------------|---|
| Description | CAN (CANOpen) standard communication device   |
| Wiring      | <p>Pin/ Signal</p> <p>1/ not connected</p> <p>2/ CAN_L</p> <p>3/ CAN_GND</p> <p>4/ not connected</p> <p>5/ CAN_SHLD</p> <p>6/ not connected</p> <p>7/ CAN_H</p> <p>8/ not connected</p> <p>9/ not connected</p> <p>Housing CAN_SHIELD</p> |
| Data sets   | <p>input status, input diagnostics,</p> <p>fieldbus input status, probe status,</p> <p>safety output status, safety output diagnostics</p>  |

Wiring

Terminal Designation



| Terminal | Signal | Description         |
|----------|--------|---------------------|
| 1        | 24 VDC | 24 Vdc power supply |
| 2        | -      | Not connected       |
| 3        |        |                     |
| 4        | 0 VDC  | 0 Vdc power supply  |
| 5        | -      | Not connected       |
| 6        |        |                     |

| Terminal | Signal | Description |
|----------|--------|-------------|
| 7        |        |             |
| 8        |        |             |

### Wiring Example

