



Main

Range of product	OsiSense XU
Series name	Application material handling Application assembly
Electronic sensor type	Photo-electric sensor
Sensor name	XUK
Sensor design	Compact 50 x 50
Detection system	Diffuse with background suppression
Material	Plastic
Type of output signal	Discrete
Wiring technique	4-wire
Discrete output type	PNP or NPN
Discrete output function	1 NO or 1 NC programmable
Electrical connection	1 male connector M12, 4 pins
Product specific application	Suppression of a background Distance measurement on object
Emission	Red laser diffuse with background suppression class 1 IEC 60825-1
[Sn] nominal sensing distance	16.40 ft (5 m) diffuse with background suppression

Complementary

Enclosure material	ABS/PC
Lens material	PMMA
Maximum sensing distance	16.40 ft (5 m) diffuse with background suppression
Output type	Solid state
Add on input	External teach
Wire insulation material	PVC
Status LED	1 LED yellow)output state 1 LED green/yellow)supply on/output state
[Us] rated supply voltage	12...24 V DC reverse polarity protection
Supply voltage limits	10...30 V DC
Switching capacity in mA	<= 100 mA overload and short-circuit protection)
Switching frequency	<= 250 Hz

Disclaimer: This documentation is not intended as a substitute for and is not to be used for determining suitability or reliability of these products for specific user applications

Maximum voltage drop	<1.5 V closed state)
Current consumption	<= 60 mA no-load
Maximum delay first up	300 ms
Maximum delay response	2 ms
Maximum delay recovery	2 ms
Setting-up	Using teach button or remote teaching
Depth	1.97 in (50 mm)
Height	1.97 in (50 mm)
Width	0.91 in (23 mm)
Net weight	0.08 lb(US) (0.035 kg)

Environment

Product certifications	Ecolab CE CULus
Ambient air temperature for operation	-4...122 °F (-20...50 °C), UL -40...140 °F (-40...60 °C)
Ambient air temperature for storage	-40...176 °F (-40...80 °C)
Vibration resistance	7 gn +/- 1.5 mm 10...55 Hz) IEC 60068-2-6
Shock resistance	30 gn 11 ms) IEC 60068-2-27
IP degree of protection	IP67 IEC 60529 IP69K DIN 40050

Packing Units

Unit Type of Package 1	PCE
Number of Units in Package 1	1
Package 1 Weight	1.98 oz (56 g)
Package 1 Height	1.10 in (2.8 cm)
Package 1 width	3.54 in (9 cm)
Package 1 Length	2.36 in (6 cm)
Unit Type of Package 2	S01
Number of Units in Package 2	28
Package 2 Weight	3.71 lb(US) (1.681 kg)
Package 2 Height	5.91 in (15 cm)
Package 2 width	5.91 in (15 cm)
Package 2 Length	15.75 in (40 cm)

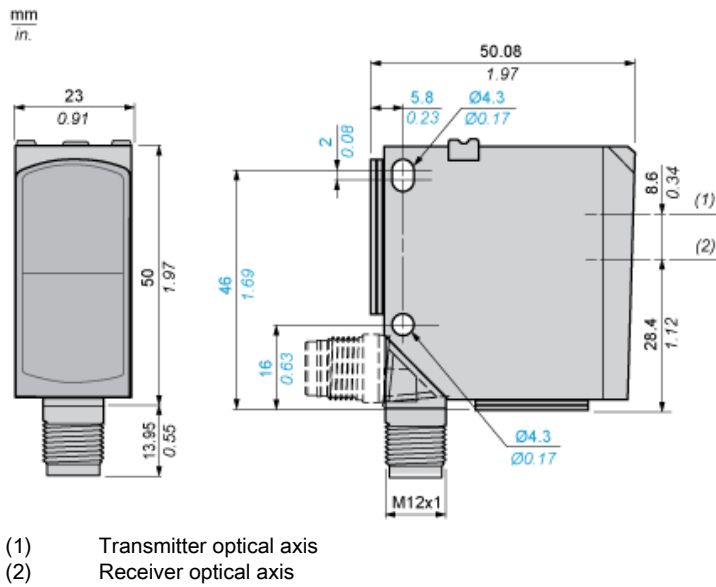
Offer Sustainability

REACH Regulation	REACH Declaration
EU RoHS Directive	Pro-active compliance (Product out of EU RoHS legal scope) EU RoHS Declaration
Mercury free	Yes
RoHS exemption information	Yes

Contractual warranty

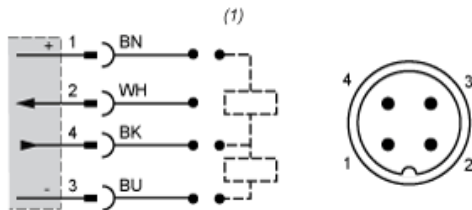
Warranty	18 months
----------	-----------

Dimensions



Connections and Schema

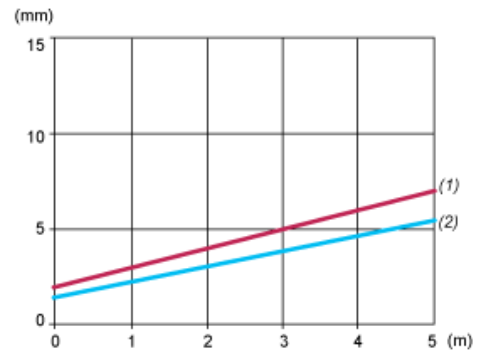
Connector Wiring



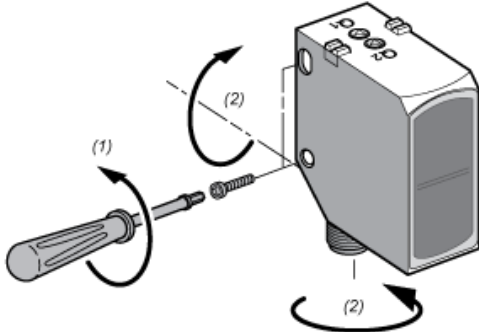
- (1) Auto-detect
1: + UB (BN: Brown)
2: IN (WH: White)
3: -UB (BU: Blue)
4: OUT (BK: Black)

Curves

Size of light spot (typical)



Mounting



- (1) < 1,5 Nm (13 lb-in)
- (2) < 1 Nm (8.85 lb-in)