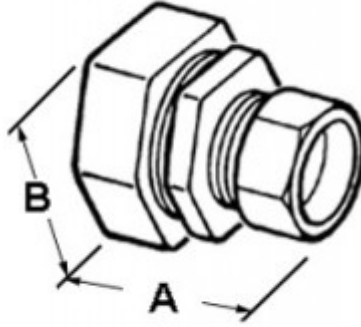


Liquid Tight to EMT Transition Coupling, Zinc Die Cast, Size 1 Inch

Used to join either metallic or non-metallic (Type "B") liquid tight conduit to EMT. Raintight. Concrete-Tight.

[Download Photo](#)[Download Drawing](#)[Download Drawing](#)

Product details

Catalog Number:	4362-DC
UPC Number:	78174794362
Primary Materials:	Zinc Die Cast
Finish:	Ball burnished, mirror smooth
Trade Size:	1"
Unit Quantity:	10
Standard Package Quantity:	50

Dimensions

Trade Size:	1"
Dimensions A:	1.8
Dimensions B:	1.95

Certifications & Codes

Federal Specification Number: A-A-50553

UL File Number: E24001

UNSPSC: 39131707

Nema Standard: FB-1

UL Standard: UL-514B

Patent Number: 7390027

Country Of Manufacture: USA