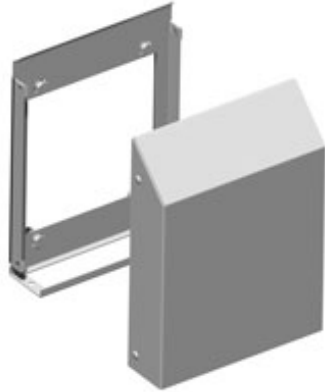


Filterfan Rainhoods *RH Series*

Type 3R



Application

- Type 3R / Outdoor Rainhoods
- Protection against rain and snow or large airborne debris
- Sold individually

Features

- Easy installation
- Covers many external mounted Fans & Grills
- Fits PF2000/PF22000 thru PF5/6/7000 series Filterfans
- Tamperproof hardware and sealing gasket provided

Standards

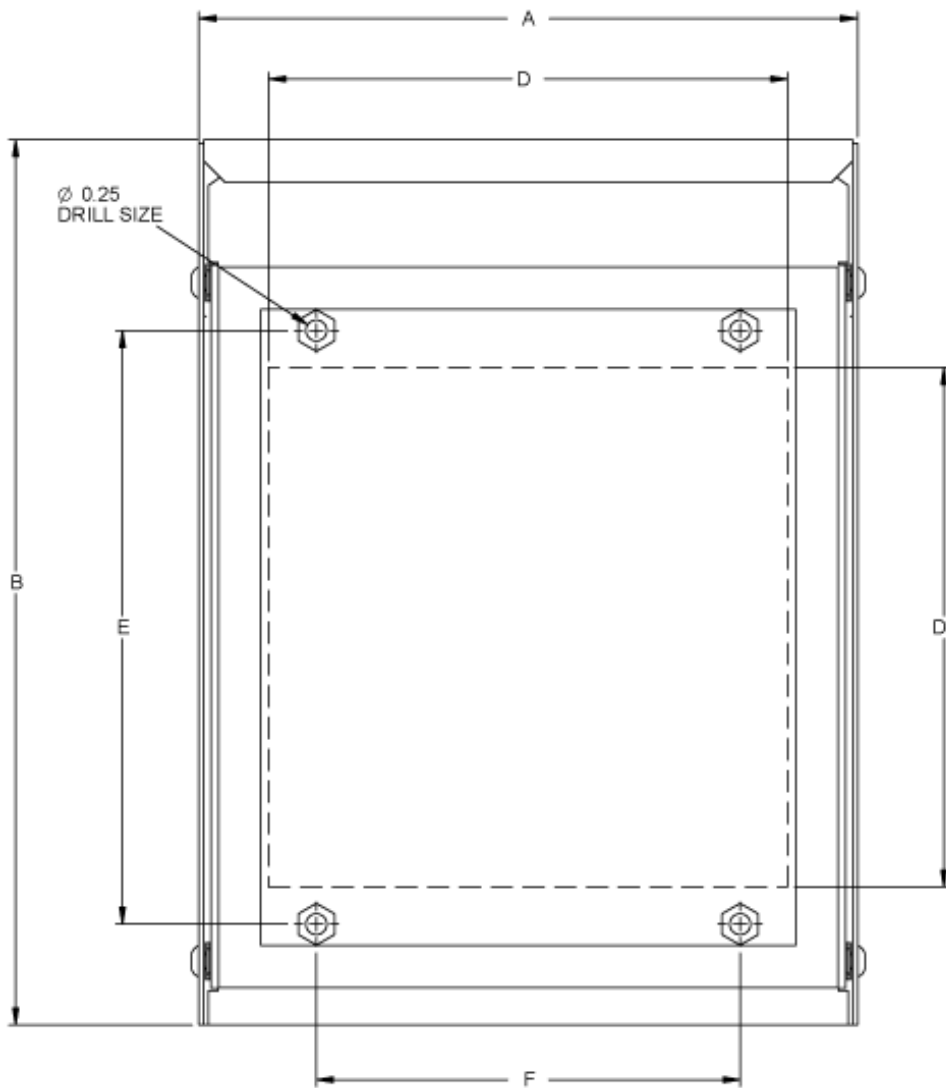
- UL 508A type 3R
- CSA C22.2 #94-M1

Finish

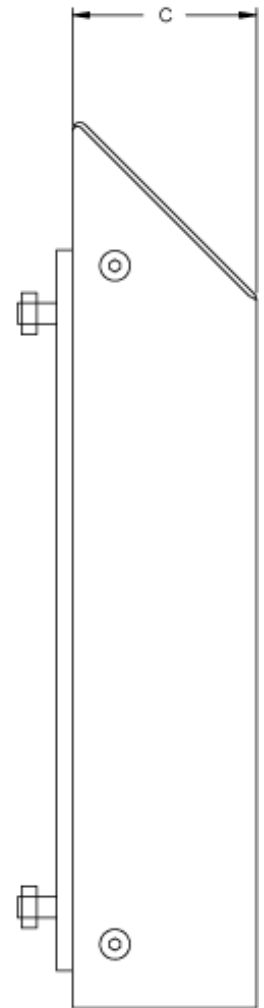
- Cover offered in ANSI61 gray or RAL7035 light gray powder coated finish on mild steel
- Also offered in stainless steel 304 #4 finish
- Base in Galvanized sheet steel

Grill/Solid Cover Kit

- Can be installed in bottom opening of rain hood
- Grill allows ventilation while preventing unwanted entry of large contaminants
- Solid cover allows sealing of opening when fan/filter not in use



INSIDE VIEW



SIDE VIEW

| Part No. | Overall Dimensions | | | Cut-out | Bolt Pattern | | Use with | Finish |
|-----------------|--------------------|-------|------|---------|--------------|-------|------------------------------|-----------------|
| | A | B | C | | D | E | | |
| RH2000GY | 7.77 | 10.44 | 2.17 | 6.12 | 7.00 | 5.00 | PF2000/PF22000 Series | ANSI 61 Gray |
| RH2000LG | 7.77 | 10.44 | 2.17 | 6.12 | 7.00 | 5.00 | PF2000/PF22000 Series | RAL7035 |
| RH2000SS | 7.77 | 10.44 | 2.17 | 6.12 | 7.00 | 5.00 | PF2000/PF22000 Series | Stainless Steel |
| RH4000GY | 11.71 | 14.57 | 3.35 | 10.12 | 11.00 | 9.00 | PF25, 30, 32, 43000 Series | ANSI 61 Gray |
| RH4000LG | 11.71 | 14.57 | 3.35 | 10.12 | 11.00 | 9.00 | PF25, 30, 32, 43000 Series | RAL7035 |
| RH4000SS | 11.71 | 14.57 | 3.35 | 10.12 | 11.00 | 9.00 | PF25, 30, 32, 43000 Series | Stainless Steel |
| RH6000GY | 14.66 | 15.88 | 4.33 | 13.00 | 13.88 | 12.00 | PF5,6,7000, 65, 67000 Series | ANSI 61 Gray |
| RH6000LG | 14.66 | 15.88 | 4.33 | 13.00 | 13.88 | 12.00 | PF5,6,7000, 65, 67000 Series | RAL7035 |
| RH6000SS | 14.66 | 15.88 | 4.33 | 13.00 | 13.88 | 12.00 | PF5,6,7000, 65, 67000 Series | Stainless Steel |

Grill/Solid Cover Kit

| Part No. | Use With | Finish |
|-----------------|------------------|------------------|
| RHA2000G | RH2000GY, LG, SS | Galvanized Steel |
| RHA4000G | RH4000GY, LG, SS | Galvanized Steel |
| RHA6000G | RH6000GY, LG, SS | Galvanized Steel |

Data subject to change without notice

