



## Main

Range of Product	Modicon X80
Product or Component Type	Weighing transmitter module

## Complementary

Product Compatibility	BMEXBP... backplane Head module BMECRA31210 BMEP58... processor
Power Consumption in W	3.5 W
Number of measurement input	1
Input voltage	5 V DC
Resolution	24 bits internal 1000000 points user factory calibrated 500000 at 2 mV/V
Measuring rate	6...400 measurements per second internal 100 measurements per second external
Output Type	Reflex digital output
Discrete output number	4 positive logic (source) total 2 for dosing 2 for threshold monitoring
Discrete output voltage	<= 55 V DC
Nominal output current	400 mA
Response Time	2 ms
Discrete input number	2 positive logic for weighing functions
Voltage state 0 guaranteed	0...3 V DC
Voltage state 1 guaranteed	9...28 V DC
Discrete input current	20 mA 24 V
Status LED	1 LED (Green) module operating (RUN) 1 LED (Red) module error (ERR) 1 LED (Red) external fault (I/O) 1 LED (Green) communication (COM) 1 LED (Yellow) test mode (TEST) 1 LED (Green) calibration (CAL) 1 LED (Red) converter error (FAULT) 1 LED (Red) memory corruption (MEM ERR) 1 LED (Green) digital output status (S0) 1 LED (Green) digital output status (S1)
Net Weight	0.51 lb(US) (0.233 kg)

## Ordering and shipping details

Category	18160-MODICON M340
Discount Schedule	PC34
GTIN	3606485407791
Returnability	No
Country of origin	FR

## Packing Units

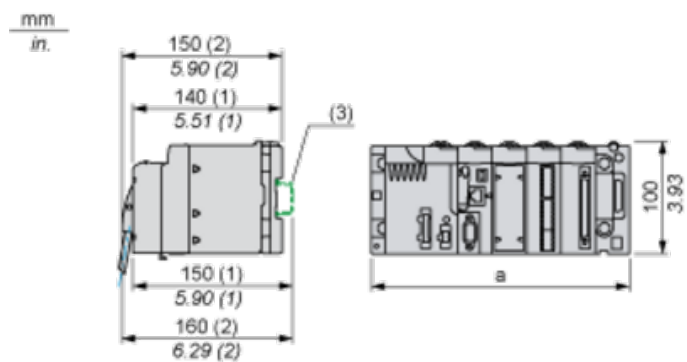
Unit Type of Package 1	PCE
Number of Units in Package 1	1
Package 1 Height	2.83 in (7.2 cm)
Package 1 Width	5.24 in (13.3 cm)
Package 1 Length	6.69 in (17.0 cm)
Package 1 Weight	10.12 oz (287.0 g)
Unit Type of Package 2	S04
Number of Units in Package 2	32
Package 2 Height	11.81 in (30.0 cm)
Package 2 Width	15.75 in (40.0 cm)
Package 2 Length	23.62 in (60.0 cm)
Package 2 Weight	22.45 lb(US) (10.185 kg)

## Offer Sustainability

California proposition 65	WARNING: This product can expose you to chemicals including: Lead and lead compounds, which is known to the State of California to cause cancer and birth defects or other reproductive harm. For more information go to <a href="http://www.P65Warnings.ca.gov">www.P65Warnings.ca.gov</a>
EU RoHS Directive	Pro-active compliance (Product out of EU RoHS legal scope) <a href="#">EU RoHS Declaration</a>
Toxic heavy metal free	Yes
Mercury free	Yes
China RoHS Regulation	<a href="#">China RoHS Declaration</a>
RoHS exemption information	<a href="#">Yes</a>
WEEE	The product must be disposed on European Union markets following specific waste collection and never end up in rubbish bins.

Modules Mounted on Racks

Dimensions



(1) with removable terminal block (cage, screw or spring)

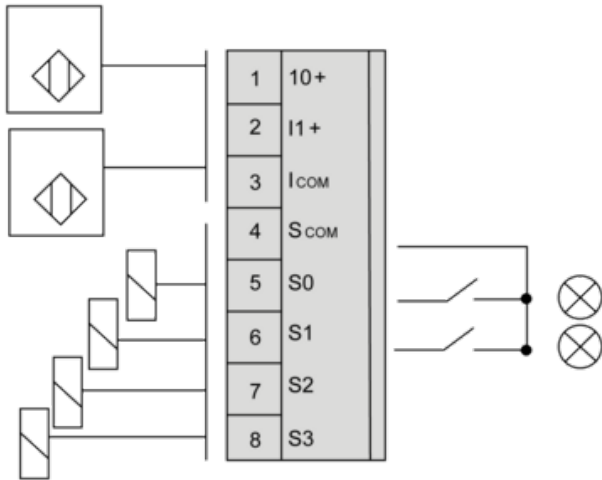
(2) with FCN connector

(3) on AM1 ED rail: 35 mm wide, 15 mm deep. Only possible with BMEXBP0400/0400H/0800/0800H/1200/1200H rack.

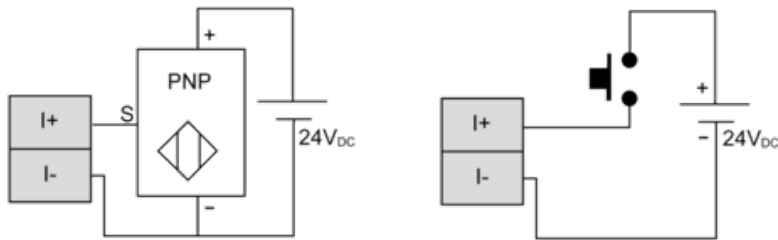
	a (in mm)	a (in in.)
BMEXBP0400 and BMEXBP0400H	242.4	09.54
BMEXBP0800 and BMEXBP0800H	372.8	14.68
BMEXBP1200 and BMEXBP1200H	503.2	19.81

Module Connection

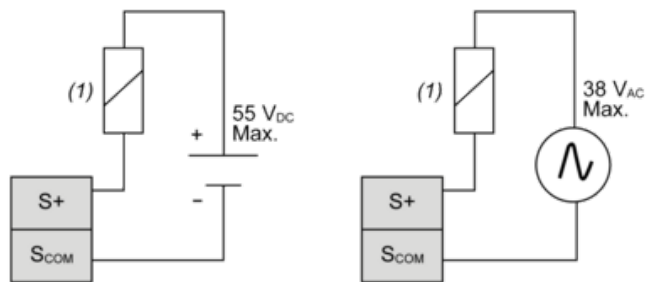
Input/Output Connections



Examples of Detector and Push-button Wiring



Examples of Output Wiring



(1) Load