



Main

Range compatibility	Lexium 28
Product or component type	Servo motor
Device short name	BCH2

Complementary

Maximum mechanical speed	3000 rpm
[Us] rated supply voltage	220 V
Phase	Three phase
Continuous stall current	16.49 A
Continuous stall torque	169.05 lbf.in (19.1 N.m) LXM28... 19.8 A, 220 V, three phase
Continuous power	3000 W
Peak stall torque	507.06 lbf.in (57.29 N.m) LXM28... 19.8 A, 220 V, three phase
Nominal output power	3000 W LXM28... 19.8 A, 220 V, three phase
Nominal torque	169.05 lbf.in (19.1 N.m) LXM28... 19.8 A, 220 V, three phase
Nominal speed	1500 rpm LXM28... 19.8 A, 220 V, three phase
Maximum current Irms	58.4 A LXM28... 3 kW, 220 V
Maximum permanent current	18.8 A
Product compatibility	LXM28... servo drive 3 kW, 220 V, three phase
Shaft end	Smooth shaft
Shaft diameter	1.38 in (35 mm)
Shaft length	3.11 in (79 mm)
Feedback type	20 bits single turn absolute encoder
Holding brake	With
Holding torque	424.84 lbf.in (48 N.m) built-in
Mounting support	Asian standard flange
Motor flange size	7.09 in (180 mm)
Electrical connection	Connector MIL
Torque constant	1.16 N.m/A 68 °F (20 °C)
Back emf constant	70 V/krpm 68 °F (20 °C)
Rotor inertia	54.1 kg.cm ²
Stator resistance	0.234 Ohm 68 °F (20 °C)
Stator inductance	4.9 mH 68 °F (20 °C)
Stator electrical time constant	20.94 ms 68 °F (20 °C)
Maximum radial force Fr	1200 N 1500 rpm
Maximum axial force Fa	497 N
Brake pull-in power	49.6 W
Type of cooling	Natural convection
Length	9.25 in (235 mm)
Number of motor stacks	2
Centring collar diameter	4.50 in (114.3 mm)

Centring collar depth	0.16 in (4 mm)
Number of mounting holes	4
Mounting holes diameter	0.53 in (13.5 mm)
Circle diameter of the mounting holes	7.87 in (200 mm)
Distance shaft shoulder-flange	0.16 in (4 mm)
Net Weight	50.71 lb(US) (23 kg)

Environment

IP degree of protection	IP54 IM B5, IM V1 IP50 IM V3
Ambient air temperature for operation	32...104 °F (0...40 °C)

Ordering and shipping details

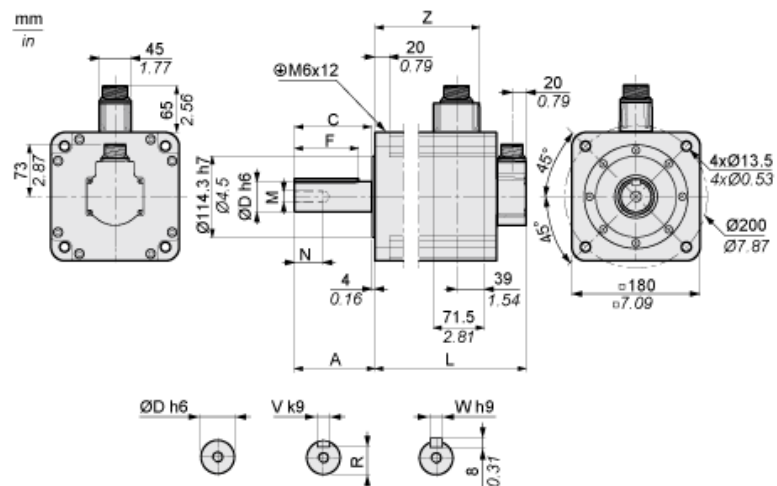
Category	18281 - LEXIUM 23/28 MOTORS
Discount Schedule	PC53
GTIN	03606480734939
Nbr. of units in pkg.	1
Package weight(Lbs)	54.3 lb(US) (24.63 kg)
Returnability	No
Country of origin	CN

Packing Units

Unit Type of Package 1	PCE
Package 1 Height	9.65 in (24.5 cm)
Package 1 width	11.42 in (29 cm)
Package 1 Length	23.03 in (58.5 cm)

Dimensions

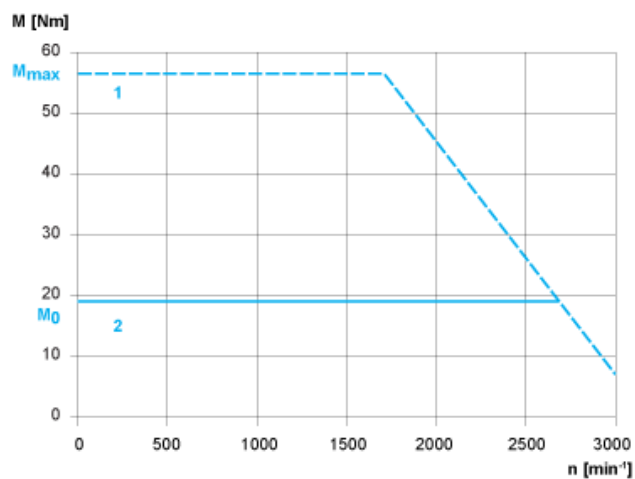
Dimensions of Motor



	mm	in.
L (without holding brake)	202	7.95
L (with holding brake)	235	9.25
A	79	3.11
C	73	2.87
D	35	1.38
F	63	2.48
N	28	1.10
M	M12	
R	30	1.18
V	10	0.39
W	10	0.39
Z	136	5.35

Torque/Speed Curves with 230 V Three Phase Supply Voltage

Servo Motor with LXM28AU30●●● Servo Drive



- 1 : Peak torque
- 2 : Continuous torque