



Main

Range of product	Harmony Relay
Product or component type	Solid state relay
Device short name	SSM1
Number of phases	1 phase

Complementary

Mounting support	Symmetrical DIN rail
[In] rated current	30 A
Output voltage	24...280 V AC
[Uc] control circuit voltage	4...32 V DC
Contacts type and configuration	1 NO
Tightening torque	0.6...0.7 N.m input 1.36...1.7 N.m output
Connections - terminals	Screw terminals 1 x 0.2...1 x 5.3 mm ² , AWG 24...AWG 10) input Screw terminals 1 x 0.2...1 x 5.3 mm ² , AWG 24...AWG 10) output
Maximum capacitance	8 pF input/output
Insulation resistance	1000 MOhm 500 V DC
Local signalling	Input status LED (green)
Switching voltage	4 V DC turn-on 1 V DC turn-off
Input current	8...12 mA
Solid state output type	Zero voltage switching SCR output
Load current	0.15...30 A
Transient overvoltage	600 V
Surge current	1200 A 16.6 ms
Maximum voltage drop	<1.6 V on-state

Disclaimer: This documentation is not intended as a substitute for and is not to be used for determining suitability or reliability of these products for specific user applications

Maximum I ² t for fusing	6000 A ² .s 8.3 ms
Maximum leakage current	10 mA off-state
DV/Dt	500 V/μs off-state at maximum voltage
Response time	0.5 cycle turn-on) 0.5 cycle turn-off)
Overvoltage category	III
Net weight	0.62 lb(US) (0.28 kg)

Environment

Dielectric strength	4 kV AC input/output 4 kV AC input or output to case
Pollution degree	2
Standards	CSA C22.2 No 14 UL 508 IEC 60950-1
Product certifications	UL EAC CSA
Marking	CE EAC UL CSA
IP degree of protection	IP20
Ambient air temperature for operation	-40...176 °F (-40...80 °C)
Ambient air temperature for storage	-40...257 °F (-40...125 °C)

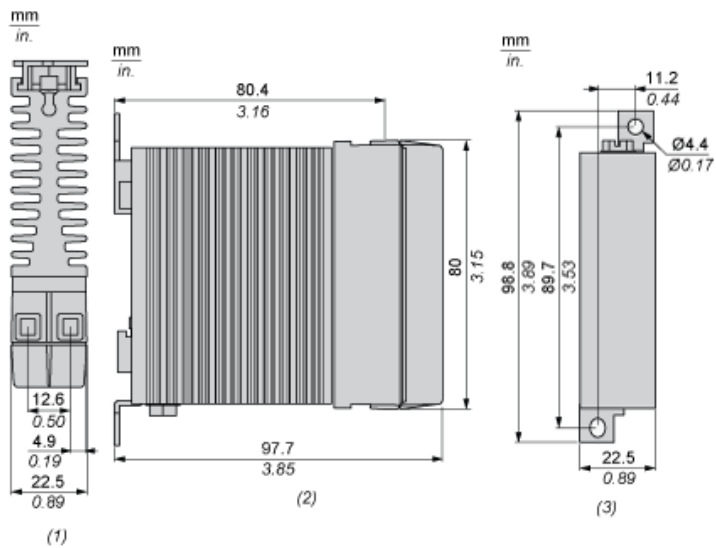
Packing Units

Package 1 Weight	0.66 lb(US) (0.300 kg)
Package 1 Height	0.310 dm
Package 1 width	1.100 dm
Package 1 Length	1.100 dm

Offer Sustainability

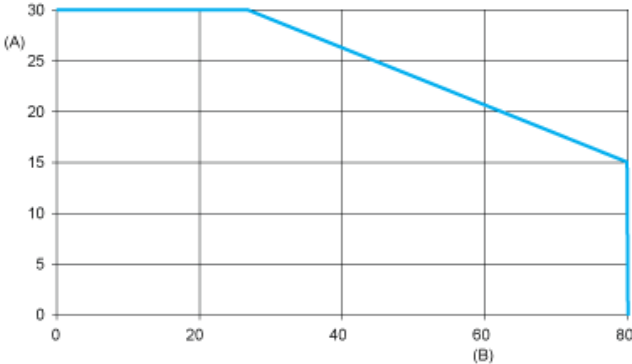
Sustainable offer status	Green Premium product
REACH Regulation	REACH Declaration
EU RoHS Directive	Pro-active compliance (Product out of EU RoHS legal scope) EU RoHS Declaration
Mercury free	Yes
RoHS exemption information	Yes
China RoHS Regulation	China RoHS declaration
Environmental Disclosure	Product Environmental Profile
Circularity Profile	End of Life Information

Dimensions



- (1) Top view
- (2) Side view
- (3) Front view

Derating Curves



A : Load Current (Amperes)
B : Ambient Temperature (°C)