



## Main

|                           |                            |
|---------------------------|----------------------------|
| Range of Product          | Modicon X80                |
| Product or Component Type | Multifunction input module |

## Complementary

|                                |  |
|--------------------------------|--|
| Function Available             | Hot swap   |
| Data recording                 | 1 ms time stamps   |
| Time synchronisation protocol  | DCF77<br>IRIG-B  |
| Group of channels              | 4 groups of 4 inputs process input   |
| [Us] rated supply voltage      | 24 V DC 19...30 V)<br>48...60 V DC 38...75 V)<br>110...125 V DC 88...156 V)  |
| Switching voltage              | 125 V 1.3 mA process input<br>110 V 1.3 mA process input<br>60 V 2.5 mA process input<br>48 V 2.5 mA process input<br>24 V 6.7 mA process input  |
| Maximum power consumption in W | 4 W process input  |
| Current consumption            | 30 mA 24 V DC<br>130 mA 3.3 V DC   |
| Isolation voltage              | 2500 V DC 60 s bus to discrete input<br>1400 V DC 60 s bus to IRIG/DCF<br>2500 V DC 60 s discrete input to IRIG/DCF  |
| Anti bounce filtering          | Configurable from 0 to 255 ms  |
| Sampling duration              | 0.5 ms   |
| Acquisition time               | 1 ms   |
| Local signalling               | For firmware and module run (RUN) 1 LED (green)<br>For status of time code input (T) 1 LED (green)<br>For module fault (ERR) 1 LED (red)<br>For power supply interruption (I/O) 1 LED (red)<br>For input status (0...15) 16 LEDs |
| Width                          | 1.26 in (32 mm)  |
| Height                         | 3.94 in (100 mm)   |
| Depth                          | 3.39 in (86 mm)  |

## Environment

|                                       |  |
|---------------------------------------|--|
| Ambient Air Temperature for Operation | -13...158 °F (-25...70 °C)   |
| Ambient Air Temperature for Storage   | -40...185 °F (-40...85 °C)   |
| Relative Humidity                     | 95 % without condensation  |
| Operating altitude                    | <= 13123.36 ft (4000 m)  |
| Directives                            | 2014/35/EU - low voltage directive<br>2014/30/EU - electromagnetic compatibility |

The information provided in this documentation contains general descriptions and/or technical characteristics of the performance of the products contained herein. This documentation is not intended as a substitute for and is not to be used for determining suitability or reliability of these products for specific user applications. It is the duty of any such user or integrator to perform the appropriate and complete risk analysis, evaluation and testing of the products with respect to the relevant specific application or use thereof. Neither Schneider Electric Industries SAS nor any of its affiliates or subsidiaries shall be responsible or liable for misuse of the information contained herein.

|                              |  |
|------------------------------|--|
| Product Certifications       | CE[RETURN]RCM[RETURN]CSA[RETURN]EAC[RETURN]Merchant Navy[RETURN]UL   |
| Standards                    | EN/IEC 61010-2-201<br>EN/IEC 61131-2<br>UL 61010-2-201<br>CSA C22.2 No 61010-2-201   |
| Environmental characteristic | Gas resistant class Gx<br>Gas resistant class 3C4<br>Dust resistant class 3S4<br>Sand resistant class 3S4<br>Salt resistant level 2<br>Mold growth resistant class 3B2<br>Fungal spore resistant class 3B2 |

## Ordering and shipping details

|                   |                    |
|-------------------|--------------------|
| Category          | 18160-MODICON M340 |
| Discount Schedule | PC34               |
| GTIN              | 3595864146232      |
| Returnability     | No                 |
| Country of origin | FR                 |

## Packing Units

|                              |                      |
|------------------------------|----------------------|
| Unit Type of Package 1       | PCE                  |
| Number of Units in Package 1 | 1                    |
| Package 1 Height             | 2.17 in (5.5 cm)     |
| Package 1 Width              | 4.33 in (11.0 cm)    |
| Package 1 Length             | 4.61 in (11.7 cm)    |
| Package 1 Weight             | 5.40 oz (153.0 g)    |
| Unit Type of Package 2       | S02                  |
| Number of Units in Package 2 | 15                   |
| Package 2 Height             | 5.91 in (15.0 cm)    |
| Package 2 Width              | 11.81 in (30.0 cm)   |
| Package 2 Length             | 15.75 in (40.0 cm)   |
| Package 2 Weight             | 5.73 lb(US) (2.6 kg) |

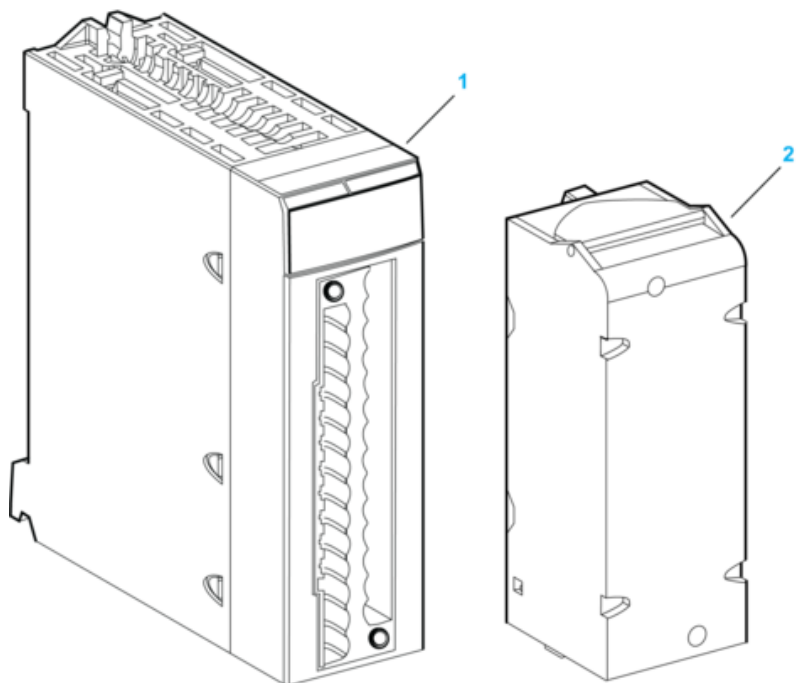
## Offer Sustainability

|                            |   |
|----------------------------|---|
| California proposition 65  | WARNING: This product can expose you to chemicals including: Lead and lead compounds, which is known to the State of California to cause cancer and birth defects or other reproductive harm. For more information go to <a href="http://www.P65Warnings.ca.gov">www.P65Warnings.ca.gov</a> |
| REACH Regulation           | <a href="#">REACH Declaration</a>   |
| EU RoHS Directive          | Pro-active compliance (Product out of EU RoHS legal scope)  |
| Mercury free               | Yes   |
| China RoHS Regulation      | <a href="#">China RoHS Declaration</a>  |
| RoHS exemption information | <a href="#">Yes</a>   |
| WEEE                       | The product must be disposed on European Union markets following specific waste collection and never end up in rubbish bins.  |

## Contractual warranty

|          |           |
|----------|-----------|
| Warranty | 18 months |
|----------|-----------|

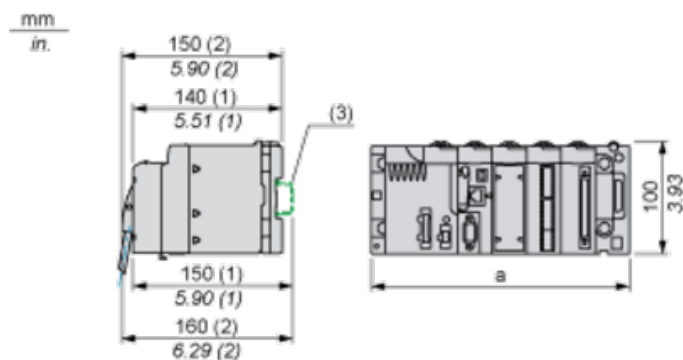
## Presentation



- 1 : Module
- 2 : 28-pin removable terminal block (provided separately)

Modules Mounted on Racks

Dimensions



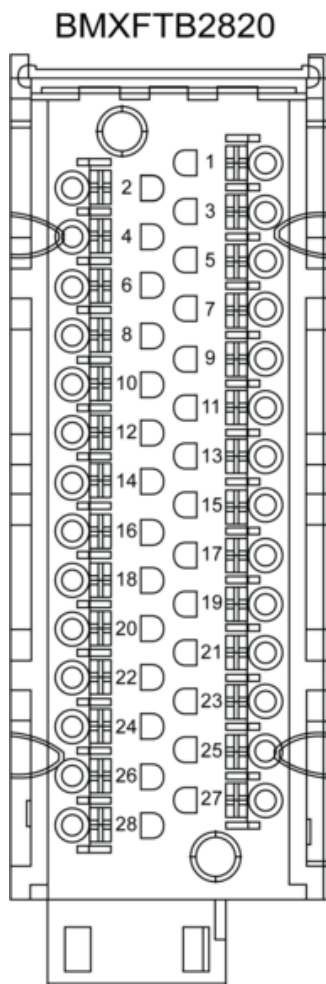
(1) With removable terminal block (cage, screw or spring).

(2) With FCN connector.

(3) On AM1 ED rail: 35 mm wide, 15 mm deep. Only possible with BMXXBP0400/0400H/0600/0600H/0800/0800H rack.

| Rack references            | a in mm | a in in. |
|----------------------------|---------|----------|
| BMXXBP0400 and BMXXBP0400H | 242.4   | 09.54    |
| BMXXBP0600 and BMXXBP0600H | 307.6   | 12.11    |
| BMXXBP0800 and BMXXBP0800H | 372.8   | 14.68    |
| BMXXBP1200 and BMXXBP1200H | 503.2   | 19.81    |

Wiring Diagram



| Definition    | Pin Number |    | Definition    |
|---------------|------------|----|---------------|
| DCF_IN        | 2          | 1  | IRIG+         |
| DCF_COM       | 4          | 3  | IRIG-         |
| Not Connected | 6          | 5  | Not Connected |
| I1            | 8          | 7  | I0            |
| I3            | 10         | 9  | I2            |
| I5            | 12         | 11 | I4            |
| I7            | 14         | 13 | I6            |
| I9            | 16         | 15 | I8            |
| I11           | 18         | 17 | I10           |
| I13           | 20         | 19 | I12           |
| I15           | 22         | 21 | I14           |
| Not Connected | 24         | 23 | Not Connected |
| UB+           | 26         | 25 | 0 Vdc         |
| UB+           | 28         | 27 | 0 Vdc         |

