

Main

| | |
|---------------------------------------|--|
| Range of product | Telemecanique Safety light curtains XUSL |
| Accessory / separate part category | Mounting and fixing accessories |
| Accessory / separate part type | Swivel mounting support |
| Product compatibility | XUSL2E XUSL4E |
| Accessory / separate part destination | Safety light curtain type 4 Safety light curtain type 2 |

Complementary

| | |
|-----------------|-------------------------------------|
| Kit composition | 4 x swivel bracket(s) end cap(s) |
| Net weight | 0.33 lb(US) (0.15 kg) |

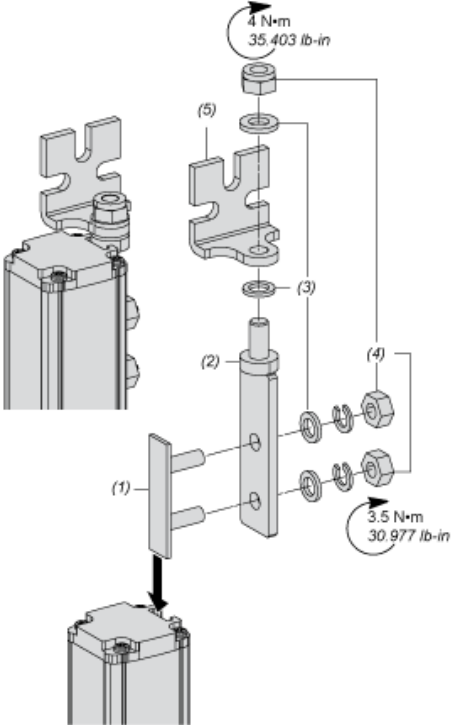
Packing Units

| | |
|------------------------------|------------------------|
| Unit Type of Package 1 | PCE |
| Number of Units in Package 1 | 1 |
| Package 1 Weight | 7.83 oz (222 g) |
| Package 1 Height | 2.68 in (6.8 cm) |
| Package 1 width | 6.69 in (17 cm) |
| Package 1 Length | 4.09 in (10.4 cm) |
| Unit Type of Package 2 | S02 |
| Number of Units in Package 2 | 10 |
| Package 2 Weight | 5.62 lb(US) (2.547 kg) |
| Package 2 Height | 5.91 in (15 cm) |
| Package 2 width | 11.81 in (30 cm) |
| Package 2 Length | 15.75 in (40 cm) |

Offer Sustainability

| | |
|----------------------------|---|
| Sustainable offer status | Green Premium product |
| REACH Regulation | REACH Declaration |
| REACH free of SVHC | Yes |
| EU RoHS Directive | Pro-active compliance (Product out of EU RoHS legal scope) EU RoHS Declaration |
| Toxic heavy metal free | Yes |
| Mercury free | Yes |
| RoHS exemption information | Yes |
| Environmental Disclosure | Product Environmental Profile |
| Circularity Profile | End of Life Information |

Mounting and Clearance



- (1) Insert
- (2) Pivot
- (3) Washer
- (4) Nut
- (5) Swivel bracket