

OTP-MZ Myriad Plus Ductless Multizone Heat Pump



Indoor Units



Outdoor Unit



Performance up to



-18°C

Cooling



-20°C

Heating

Up to

22 SEER
IN COOLING

11.5 HSPF
IN HEATING



(except MPD42KCH21S-O)

Features

Operation mode

- Cooling, heating, dehumidifying, fan and auto.

Nominal capacity

- 18000, 24000, 30000, 36000, 42000 BTU/hr.

Voltage

- 230/208V, 60 Hz, 1-phase.

Indoor unit

- High wall installation, dual side connection.
- Plastic housing, standard white.
- 4-speed cross-flow fan (turbo, high, medium and low).
- Washable filters.

Outdoor unit

- Variable speed rotary compressor (INVERTER), with overload protection.
- Electronic expansion valve for precise control of refrigerant flow.
- Condenser fins covered with a hydrophilic coating for improved corrosion resistance.
- Large diameter quiet axial-flow fan for more efficient heat exchange.
- Smart pan heater to prevent ice formation.
- Compressor blanket and preheating technology.
- Installation on epoxy/polyester powder coated adjustable steel wall bracket (optional).

Connection piping

- Minimum piping length of 10 ft. (3 m).
- Flared connections.

Control

- Wireless remote included with each indoor unit.
- Wired wall controller available.
- Wi-Fi capability (option KIT-WIFI required)
- Set temperature: 16 to 30 °C (61 to 86 °F).
- Temperature display format: °C or °F.

Warranty

Note: All heat pump systems must be installed and registered by a certified Ouellet installer to be covered by the basic warranty.

- 5-year basic warranty on parts and 5-year basic warranty on the compressor (labour not included).

Sold separately:

- Extended warranty from the 1st to 5th year, parts and labour.
- Extended warranty from the 1st to 10th year, parts and labour with system replacement if the compressor fails.

Application

- Dining room-kitchen, living room, family room, commercial building, office building, condo, restaurant.

Includes



Smart Pan Heater



Crankcase Heater



Fin Coating



Quiet Design



Smart Defrosting



Smart Preheating



Auto Restart



Auto-Clean



Self-Diagnosis



Sleep Mode



Turbo Mode



Up & Down Swing



Timer



I Feel



Lock



Wireless Remote

Optional



Wall Controller



Wi-Fi

Outdoor Unit Models

Product #		MPD18KCH225-O	MPD24KCH215-O	MPD30KCH215-O	MPD36KCH215-O	MPD42KCH215-O	
Technical Performance							
Number of connectable indoor unit		-	1 to 2	2 to 3	2 to 4	2 to 5	
Voltage		Volts	230/208	230/208	230/208	230/208	
Cooling capacity	Nominal	W (BTU/hr)	5275 (18000)	7034 (24000)	8323 (28400)	9964 (34000)	11430 (39000)
	Min. – max.	W (BTU/hr)	2051 - 6154 (6998 - 21000)	2198 - 9671 (7500 - 33000)	2400 - 9799 (8188 - 33437)	2600 - 10500 (8871 - 35826)	2600 - 12000 (8871 - 40944)
Heating capacity	Nominal	W (BTU/hr)	5568 (19000)	7620 (26000)	8792 (30000)	12456 (42500)	13188 (45000)
	Min. – max.	W (BTU/hr)	2500 - 6623 (8530 - 22600)	2198 - 10257 (7500 - 35000)	2400 - 9500 (8188 - 32414)	2600 - 13000 (8871 - 44356)	2600 - 13500 (8871 - 46062)
Used cooling power input	Nominal	W	1440	1920	2280	2800	3740
Used heating power input	Nominal	W	1520	2050	2350	3350	3650
MCA		A	16	23	20	23	24
Max. over-current protection (MOCP)		A	25	30	30	35	40
SEER		-	22	21	21	21	21
HSPF		-	11	11	11.5	11.5	10.2
EER		(BTU/hr)/W	12.5	12.5	12.5	12.5	10.43
COP		W/W	3.66	3.72	3.74	3.70	3.61
ENERGY STAR		-	✓	✓	✓	✓	-
Air flow volume		cfm	1883	2354	2330	4531	4531
Sound level		dB (A)	56	59	59	61	61
Compressor power input		W	1440	2550	4150	4150	4150
Compressor LRA		A	-	-	-	-	-
Compressor RLA		A	10.82	15.82	13.9	15.6	17.8
Fan motor power output		W	60	90	60	140	140
Fan motor RLA		A	0.62	0.59	0.68	0.82	0.82
Refrigerant volume (R410A)		oz (g)	56.5 (1600)	77.6 (2200)	98.8 (2800)	128.8 (3651)	128.8 (3651)
Net weight		lb (kg)	115 (52)	153 (69)	146 (66)	199 (90)	199 (90)
Operating ambient temperature	Cooling	°C (°F)	-18 to 48 (0 to 118)				-18 to 48 (0 to 118)
	Heating	°C (°F)	-20 to 24 (-5 to 75)				-20 to 30 (-5 to 86)
Connection Piping/Refrigerant							
Pre-charge length		ft. (m)	33 (10)	98 (30)	131 (40)	131 (40)	131 (40)
Additional refrigerant charge		oz/ft. (g/m)	0.2 (18.6)	0.2 (18.6)	0.2 (18.6)	0.2 (18.6)	0.2 (18.6)
Liquid pipe outer diameter		in.	1/4	1/4	1/4	1/4	1/4
Gas pipe outer diameter		in.	3/8	3/8	3/8	3/8	3/8
Max. height difference outdoor to indoor unit		ft. (m)	33 (10)	33 (10)	49 (15)	49 (15)	49 (15)
Max. height difference between indoor units		ft. (m)	33 (10)	33 (10)	25 (7.5)	25 (7.5)	25 (7.5)
Max. length outdoor to last indoor unit		ft. (m)	33 (10)	66 (20)	82 (25)	82 (25)	82 (25)
Max. total length		ft. (m)	66 (20)	197 (60)	230 (70)	246 (75)	246 (75)

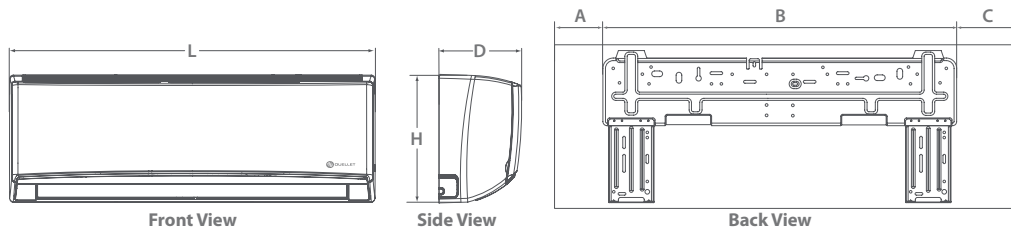
Indoor Unit Models

Product #		OCD09KCH235-I	OCD12KCH225-I	OCD18KCH205-I	OCD24KCH205-I	
Cooling capacity	Nominal	W (BTU/hr)	2638 (9000)	3517 (12000)	5275 (18000)	6448 (22000)
	Min. – max.	W (BTU/hr)	909 - 2813 (3100 - 9600)	909 - 3810 (3100 - 13000)	1993 - 5861 (6800 - 20000)	2000 - 8000 (6824 - 27296)
Heating capacity	Nominal	W (BTU/hr)	3224 (11000)	3810 (13000)	5803 (19800)	6741 (23000)
	Min. – max.	W (BTU/hr)	560 - 3517 (1911 - 12000)	703 - 4103 (2400 - 14000)	2151 - 6887 (7340 - 23500)	2000 - 9000 (6824 - 30708)
Dehumidification		pt/hr (l/hr)	1.69 (0.80)	2.96 (1.4)	3.8 (1.80)	4.23 (2.00)
Air flow volume	T / H / M / L ¹	cfm	377 / 288 / 241 / 171	400 / 288 / 241 / 171	559 / 488 / 412 / 335	706 / 647 / 589 / 530
Sound level	T / H / M / L ¹	dB (A)	43 / 39 / 35 / 29	45 / 39 / 35 / 29	47 / 43 / 40 / 39	48 / 44 / 40 / 36
Fan motor power output		W	20	20	60	60
Fan motor RLA		A	0.09	0.09	0.24	0.38
Deflector stepper motor power output		W	1.5	1.5	2.5	2.5
Net Weight		lb (kg)	22 (10)	22 (10)	28 (13)	34 (15)

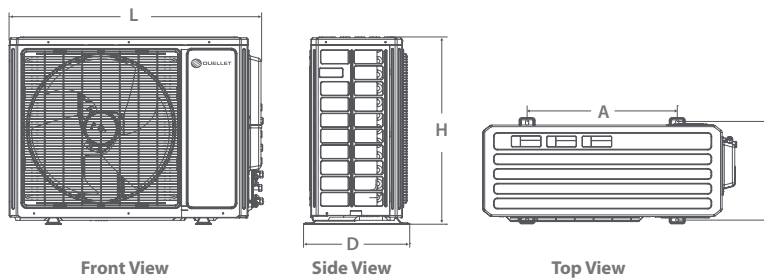
¹ Cross-Flow Fan Speeds: (T) Turbo / (H) High / (M) Medium / (L) Low.
Note that each unit is individually packaged.

Product # Kit	Description
OTP-WB3	Adjustable wall bracket for outdoor unit
OTP-WBRC	Wall bracket for wireless remote
KIT-WIFI	Wi-Fi kit
OTP-XK76	Programmable wired wall controller

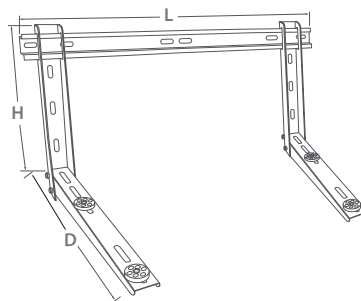
Indoor Unit



Outdoor Unit



Adjustable Wall Bracket for Outdoor Unit



Indoor Unit	L		H		D		A		B		C	
	in.	mm	in.	mm	in.	mm	in.	mm	in.	mm	in.	mm
OCD09KCH23S-I OCD12KCH22S-I	33 1/4	845	11 3/8	289	8 1/4	209	4 11/16	119	21 5/16	542	7 1/4	184
OCD18KCH20S-I	38 3/16	970	11 13/16	300	8 13/16	224	4	102	27	686	7 3/16	183
OCD24KCH20S-I	42 7/16	1078	12 13/16	325	9 11/16	246	8 1/8	206	27	686	7 5/16	186

Outdoor Unit	L		H		D		A		B	
	in.	mm	in.	mm	in.	mm	in.	mm	in.	mm
MPD18KCH22S-O	38	965	27 9/16	700	15 5/8	396	22	559	14 1/2	368
MPD24KCH21S-O	38 9/16	980	31 1/8	790	17 5/16	440	22	559	14 1/2	368
MPD30KCH21S-O	38 7/16	976	31	787	17 5/16	440	24	610	15 3/4	399
MPD36KCH21S-O	42 1/2	1080	43 7/16	1103	17 5/16	440	24 13/16	630	14 13/16	376
MPD42KCH21S-O										

Adjustable Wall Bracket	L		H		D		Maximum Capacity	
	in.	mm	in.	mm	in.	mm	lb	kg
OTP-WB3	33 1/2	850	17 3/4	450	21 11/16	550	500	227

OTP-MZ

To order

1 Choose the outdoor unit based on the system capacity required.

2 Choose the appropriate indoor unit combination by referring to the combination table below.

Refer to the legend to find the product # of the indoor units you want to order.

Note that each unit is individually packaged.

Example:

Outdoor unit required:
MPD42KCH21S-O

Indoor unit combination chosen:
09 + 09 + 12 + 12 + 18



Combination Table¹

Outdoor Unit	2 Indoor Units
MPD18KCH22S-O	09 + 09
	09 + 12

Outdoor Unit	2 Indoor Units	3 Indoor Units
	MPD24KCH21S-O	09 + 09
09 + 12		09 + 09 + 12
09 + 18		09 + 09 + 18
12 + 12		09 + 12 + 12
12 + 18		12 + 12 + 12
18 + 18		-

Outdoor Unit	2 Indoor Units	3 Indoor Units	4 Indoor Units
	MPD30KCH21S-O	09 + 09	09 + 09 + 09
09 + 12		09 + 09 + 12	09 + 09 + 09 + 12
09 + 18		09 + 09 + 18	09 + 09 + 12 + 12
12 + 12		09 + 12 + 12	-
12 + 18		09 + 12 + 18	-
18 + 18		12 + 12 + 12	-

Outdoor Unit	2 Indoor Units	3 Indoor Units	4 Indoor Units
	MPD36KCH21S-O	09 + 09	09 + 09 + 09
09 + 12		09 + 09 + 12	09 + 09 + 09 + 12
09 + 18		09 + 09 + 18	09 + 09 + 09 + 18
09 + 24		09 + 09 + 24	09 + 09 + 09 + 24
12 + 12		09 + 12 + 12	09 + 09 + 12 + 12
12 + 18		09 + 12 + 18	09 + 09 + 12 + 18
12 + 24		09 + 12 + 24	09 + 09 + 18 + 18
18 + 18		09 + 18 + 18	09 + 12 + 12 + 12
18 + 24		09 + 18 + 24	09 + 12 + 12 + 18
24 + 24		12 + 12 + 12	12 + 12 + 12 + 12
-		12 + 12 + 18	-
-		12 + 12 + 24	-
-		12 + 18 + 18	-
-		18 + 18 + 18	-

Outdoor Unit	2 Indoor Units	3 Indoor Units	4 Indoor Units	5 Indoor Units
	MPD42KCH21S-O	09 + 09	09 + 09 + 09	09 + 09 + 09 + 09
09 + 12		09 + 09 + 12	09 + 09 + 09 + 12	09 + 09 + 09 + 09 + 12
09 + 18		09 + 09 + 18	09 + 09 + 09 + 18	09 + 09 + 09 + 09 + 18
09 + 24		09 + 09 + 24	09 + 09 + 09 + 24	09 + 09 + 09 + 09 + 24
12 + 12		09 + 12 + 12	09 + 09 + 12 + 12	09 + 09 + 09 + 12 + 12
12 + 18		09 + 12 + 18	09 + 09 + 12 + 18	09 + 09 + 09 + 12 + 18
12 + 24		09 + 12 + 24	09 + 09 + 18 + 18	09 + 09 + 09 + 18 + 18
18 + 18		09 + 18 + 18	09 + 12 + 12 + 12	09 + 09 + 12 + 12 + 12
18 + 24		09 + 18 + 24	09 + 12 + 12 + 18	09 + 09 + 12 + 12 + 18
24 + 24		09 + 24 + 24	09 + 12 + 12 + 24	09 + 12 + 12 + 12 + 12
-		12 + 12 + 12	09 + 12 + 18 + 18	09 + 12 + 12 + 12 + 18
-		12 + 12 + 18	09 + 18 + 18 + 18	12 + 12 + 12 + 12 + 12
-		12 + 12 + 24	12 + 12 + 12 + 12	-
-		18 + 18 + 18	12 + 12 + 12 + 18	-
-		18 + 18 + 24	12 + 12 + 12 + 24	-
-		-	12 + 12 + 18 + 18	-

Legend

Code	BTU/hr	Product # Indoor Unit
09	9000 BTU/hr	OCD09KCH23S-I
12	12000 BTU/hr	OCD12KCH22S-I
18	18000 BTU/hr	OCD18KCH20S-I
24	24000 BTU/hr	OCD24KCH20S-I

¹ All combinations are ENERGY STAR qualified, except one with outdoor unit MPD42KCH21S-O.