

Product data sheet

Specifications



discrete output module Modicon Quantum - 32 O - 20..253 V AC

140DAO85300C

! Discontinued on: 15 March 2022

! Discontinued

Main

Range of Product	Modicon Quantum automation platform
Product or Component Type	AC discrete output modules
Discrete output number	32

Complementary

Group of channels	4 groups of 8 channels
Supply frequency	47...63 Hz
Maximum voltage drop	1.5 V
Discrete output voltage	20...253 V AC
Addressing requirement	2 output words
Absolute maximum output	300 Vrms 10 s AC 400 Vrms 1 cycle AC
Maximum load current	16 A rms per module 4 A rms per group 0.88 mA 230 V off state leakage per output 1 A rms 20...253 V per output
Surge current	2.5 A 1 ms
DV/Dt	400 V/ms
Response Time	<= 0.5 ms at state 0 to state 1 <= 0.5 ms at state 1 to state 0
Protection Type	Internal output protection by 4 A fuse Internal by RC filter
Power dissipation	1.60 + (1.0 V x total module load current)
Marking	CE
Local signalling	for bus communication is present (Active) 1 LED (green) for external fault detected (F) 1 LED (red) for input status 32 LEDs (green)
Bus current requirement	320 mA
Module format	Standard
Net Weight	0.99 lb(US) (0.45 kg)

Environment

Protective treatment	Conformal coating Humiseal 1A33
----------------------	---------------------------------

Product Certifications	cUL FM Class 1 Division 2
Standards	UL 508 CSA C22.2 No 142
Electromagnetic compatibility	Electrostatic discharge immunity test 4 kV contact discharge) IEC 801-2 Electrostatic discharge immunity test 8 kV air discharge) IEC 801-2 Susceptibility to electromagnetic fields 10 V/m 80...1000 MHz) IEC 801-3
Ambient Air Temperature for Operation	32...140 °F (0...60 °C)
Ambient Air Temperature for Storage	-40...185 °F (-40...85 °C)
Relative Humidity	95 % without condensation
Operating altitude	<= 16404.2 ft (5000 m)

Ordering and shipping details

Category	18155-QUANTUM I/O & POWER SUPPLIES
Discount Schedule	PC21
GTIN	3595860001078
Returnability	No
Country of origin	IL

Packing Units

Unit Type of Package 1	PCE
Number of Units in Package 1	1
Package 1 Height	1.77 in (4.5 cm)
Package 1 Width	6.30 in (16.0 cm)
Package 1 Length	12.40 in (31.5 cm)
Package 1 Weight	18.45 oz (523.0 g)
Unit Type of Package 2	S02
Number of Units in Package 2	1
Package 2 Height	5.91 in (15.0 cm)
Package 2 Width	11.81 in (30.0 cm)
Package 2 Length	15.75 in (40.0 cm)
Package 2 Weight	18.45 oz (523.0 g)

Offer Sustainability

Sustainable offer status	Green Premium product
California proposition 65	WARNING: This product can expose you to chemicals including: Lead and lead compounds, which is known to the State of California to cause cancer and birth defects or other reproductive harm. For more information go to www.P65Warnings.ca.gov
REACH free of SVHC	Yes
EU RoHS Directive	Pro-active compliance (Product out of EU RoHS legal scope) EU RoHS Declaration
Mercury free	Yes
RoHS exemption information	Yes
China RoHS Regulation	China RoHS declaration
Environmental Disclosure	Product Environmental Profile
Circularity Profile	End of Life Information

WEEE

The product must be disposed on European Union markets following specific waste collection and never end up in rubbish bins.

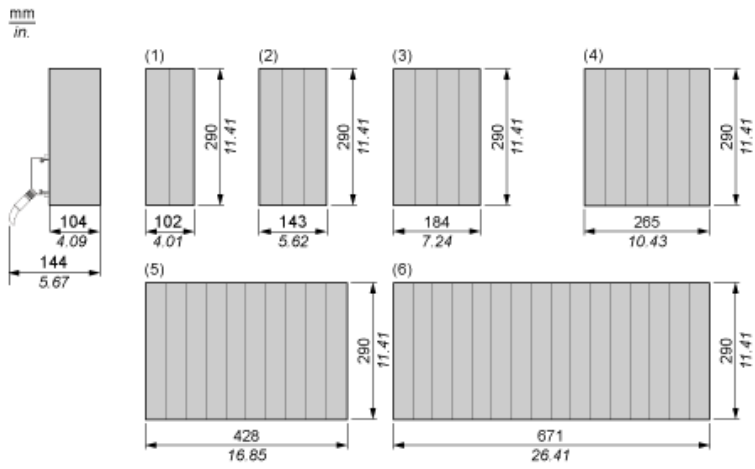
Contractual warranty

Warranty

18 months

Racks for Modules Mounting

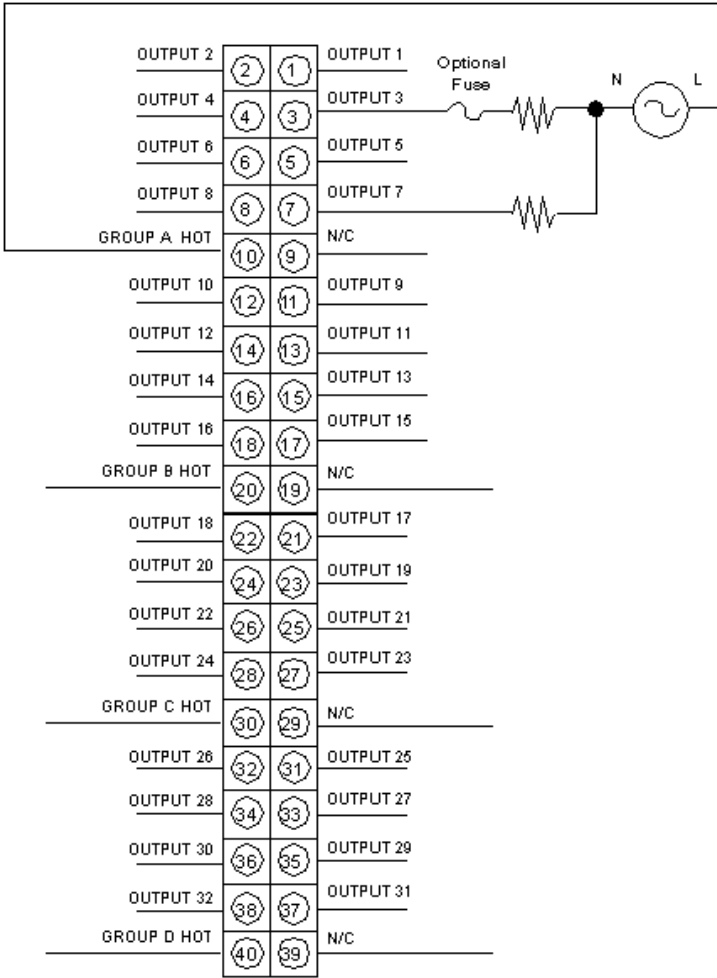
Dimensions of Modules and Racks



- (1) 2 slots
- (2) 3 slots
- (3) 4 slots
- (4) 6 slots
- (5) 10 slots
- (6) 16 slots

24...230 Vac Discrete Output Module

Wiring Diagram



N/C Not Connected

Recommended replacement(s)