



Main

Accessory / separate part designation	5-wire connector adaptor
Accessory / separate part category	Cabling accessories
Accessory / separate part type	Connector adaptor
Cable composition	4 x 0.34 mm ² + 1 x 0.5 mm ²
Thread type	M20 x 1.5
[In] rated current	4 A

Complementary

Cable length	3.94 in (100 mm)
Total number of wires	5
Electrical connection	1 male connector M12 5 straight
Cable connector fixing	Screw-on
Body material	Metal
Insulation resistance	> 1000000000 Ohm
Maximum resistance across terminals	5000 mOhm
[Ue] rated operational voltage	30 V AC 36 V DC
Net weight	0.06 lb(US) (0.025 kg)

Environment

IP degree of protection	IP67
Ambient air temperature for operation	-13...176 °F (-25...80 °C)

Packing Units

Unit Type of Package 1	PCE
Number of Units in Package 1	1
Package 1 Weight	0.92 oz (26 g)
Package 1 Height	1.02 in (2.6 cm)
Package 1 width	1.26 in (3.2 cm)
Package 1 Length	7.52 in (19.1 cm)

Unit Type of Package 2	S01
Number of Units in Package 2	50
Package 2 Weight	3.46 lb(US) (1.568 kg)
Package 2 Height	5.91 in (15 cm)
Package 2 width	5.91 in (15 cm)
Package 2 Length	15.75 in (40 cm)

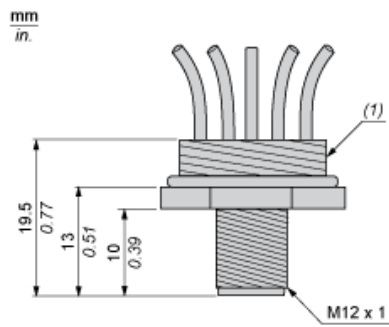
Offer Sustainability

REACH Regulation	REACH Declaration
EU RoHS Directive	Pro-active compliance (Product out of EU RoHS legal scope) EU RoHS Declaration
Mercury free	Yes
RoHS exemption information	Yes

Contractual warranty

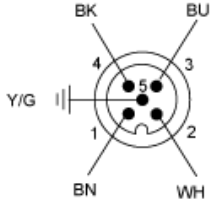
Warranty	18 months
----------	-----------

Dimensions



(1) Thread size M20 x 1.5

Connections and Schemes



- BN : Brown
- BK : Black
- BU : Blue
- Y/G : Yellow / Green
- WH : White