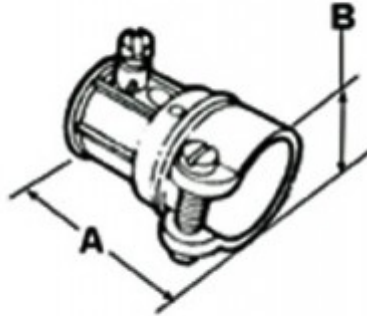


Coupling, Combination, Zinc Die Cast, Flex Size 1/2 Inch

Used to join EMT to flexible metal conduit. 281-DC is squeeze type for flexible metal conduit. Set screw type for EMT end.

[Download Photo](#)[Download Drawing](#)

Product details

Catalog Number:	281-DC
UPC Number:	78174709281
Primary Materials:	Zinc Die Cast
Finish:	Ball burnished, mirror smooth
Trade Size:	1/2-1/2"
Unit Quantity:	25
Standard Package Quantity:	100

Dimensions

Trade Size:	1/2-1/2"
Dimensions A:	1-11/16
Dimensions B:	1-3/8

Certifications & Codes

Federal Specification Number: A-A-50552

UL File Number: E9391

UNSPSC: 39131707

Nema Standard: FB-1

UL Standard: UL-514B