

# STBDDO3705KS

basic digital output kit, Modicon STB, 24V DC, 16O, screw type connector



## Main

Range of Product	Modicon STB distributed I/O solution
Product or Component Type	Basic digital output kit
Kit composition	STBDDO3705 module STBXBA3000 base STBXTS1180, 18-terminal screw type connector
Discrete output number	16
Discrete output type	Solid state
Discrete output voltage	24 V
Discrete output voltage type	DC

## Complementary

Discrete output current	500 mA
Discrete output logic	Positive
Output voltage	19.2...30 V DC
Absolute maximum voltage	35 V 1.3 ms
Response Time	2 ms off-to-on 2 ms on-to-off
Cold swapping	Yes
Hot swapping	No for basic NIMs
Protection type	Power protection integrated fuse on PDM time lag 5 A Reverse polarity protection Short-circuit protection Thermal overload protection
Insulation between channels and logic bus	1500 V for 1 minute
Maximum leakage current	0.4 mA at state 0 30 V
Maximum load capacitance	10 µF
Maximum load inductance	1000 mH 4 Hz
Reset	Manual reset COM fault
Product Compatibility	Power distribution module STBPDT3100/3105 I/O base STBXBA3000
[Us] rated supply voltage	24 V DC
Supply	Power distribution module
Current consumption	135 mA 5 V DC logic bus
Marking	CE
Overvoltage category	II
Status LED	1 LED (Green) module status (RDY) 1 LED per channel (Green) channel status (OUT1 to OUT16)
Height	0.55 in (13.9 mm)
Depth	2.76 in (70 mm)
Width	5.05 in (128.3 mm)
Net Weight	0.19 lb(US) (0.086 kg)

The information provided in this documentation contains general descriptions and/or technical characteristics of the performance of the products contained herein. This documentation is not intended as a substitute for and is not to be used for determining suitability or reliability of these products for specific user applications. It is the duty of any such user or integrator to perform the appropriate and complete risk analysis, evaluation and testing of the products with respect to the relevant specific application or use thereof. Neither Schneider Electric Industries SAS nor any of its affiliates or subsidiaries shall be responsible or liable for misuse of the information contained herein.

## Environment

Standards	IEC 61131-2
Product Certifications	UL[RETURN]CSA[RETURN]FM Class 1 Division 2
Pollution degree	2 IEC 60664-1
Operating altitude	<= 6561.68 ft (2000 m)
IP degree of protection	IP20 conforming to IEC 61131-2 class 1
Ambient air temperature for operation	32...140 °F (0...60 °C) without derating)
Ambient air temperature for operation	32...140 °F without derating
Ambient air temperature for storage	-40...185 °F (-40...85 °C) without derating
Ambient air temperature for storage	-40...185 °F without derating
Relative humidity	95 % 140 °F (60 °C) without condensation
Vibration resistance	3 gn 58...150 Hz 35 x 7.5 mm symmetrical DIN rail 5 gn 58...150 Hz 35 x 15 mm symmetrical DIN rail +/-0.35 mm 10...58 Hz
Shock resistance	30 gn 11 ms IEC 88 reference 2-27

## Ordering and shipping details

Category	18215-ADVANTYS STB I/O
Discount Schedule	PC32
GTIN	3595863932638
Returnability	Yes
Country of origin	ID

## Packing Units

Unit Type of Package 1	PCE
Number of Units in Package 1	1
Package 1 Height	1.43 in (3.622 cm)
Package 1 Width	3.13 in (7.947 cm)
Package 1 Length	5.14 in (13.052 cm)
Package 1 Weight	7.41 oz (210.0 g)
Unit Type of Package 2	S02
Number of Units in Package 2	20
Package 2 Height	5.91 in (15 cm)
Package 2 Width	11.81 in (30 cm)
Package 2 Length	15.75 in (40 cm)
Package 2 Weight	10.52 lb(US) (4.77 kg)
Unit Type of Package 3	P06
Number of Units in Package 3	320
Package 3 Height	29.53 in (75.0 cm)
Package 3 Width	23.62 in (60.0 cm)
Package 3 Length	31.50 in (80.0 cm)
Package 3 Weight	189.60 lb(US) (86 kg)

## Offer Sustainability

California proposition 65	WARNING: This product can expose you to chemicals including: Lead and lead compounds, which is known to the State of California to cause cancer and birth defects or other reproductive harm. For more information go to <a href="http://www.P65Warnings.ca.gov">www.P65Warnings.ca.gov</a>
REACH Regulation	 <a href="#">REACH Declaration</a>
EU RoHS Directive	Pro-active compliance (Product out of EU RoHS legal scope)
Mercury free	Yes
China RoHS Regulation	 <a href="#">China RoHS Declaration</a>
RoHS exemption information	 Yes
WEEE	The product must be disposed on European Union markets following specific waste collection and never end up in rubbish bins.

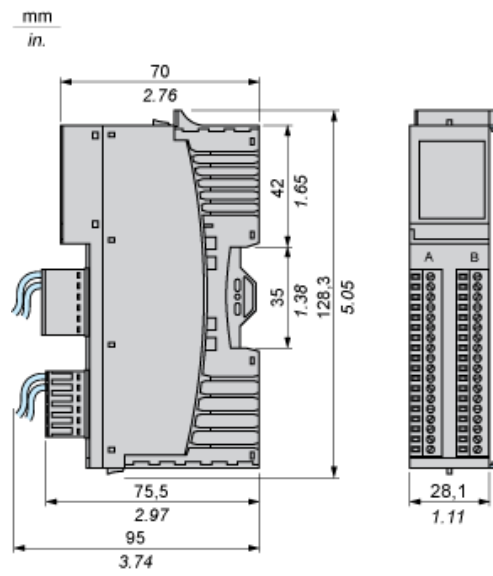
## Contractual warranty

---

Warranty	18 months
----------	-----------

---

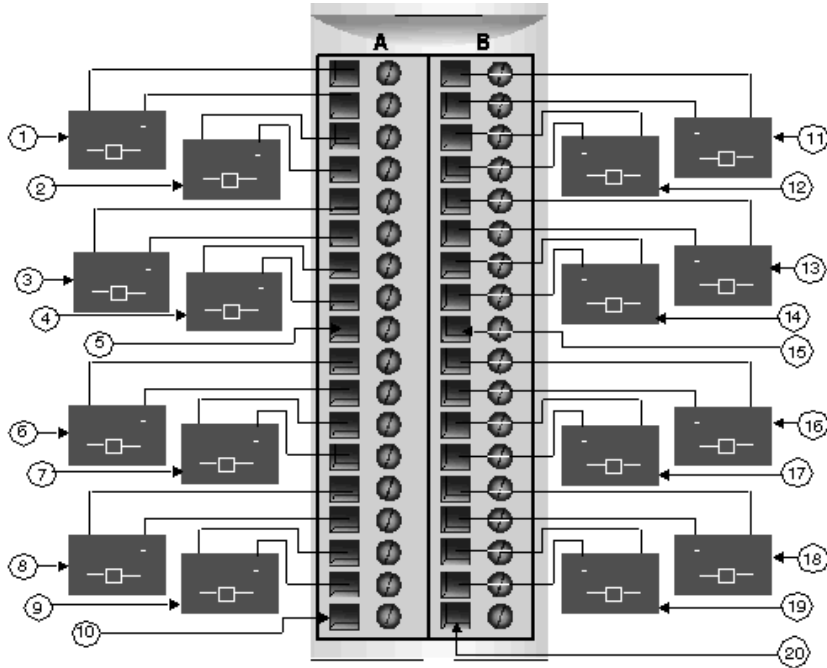
Dimensions



Wiring Diagram

Example

16 two-wire actuators



#	Group 1	#	Group 2
1	Channel 1, Connector A, Actuator	11	Channel 1, Connector B, Actuator
2	Channel 2, Connector A, Actuator	12	Channel 2, Connector B, Actuator
3	Channel 3, Connector A, Actuator	13	Channel 3, Connector B, Actuator
4	Channel 4, Connector A, Actuator	14	Channel 4, Connector B, Actuator
5	Pin 9, Connector A (not used)	15	Pin 9, Connector B (not used)
6	Channel 5, Connector A, Actuator	16	Channel 5, Connector B, Actuator
7	Channel 6, Connector A, Actuator	17	Channel 6, Connector B, Actuator
8	Channel 7, Connector A, Actuator	18	Channel 7, Connector B, Actuator
9	Channel 8, Connector A, Actuator	19	Channel 8, Connector B, Actuator
10	Pin 18, Connector A (not used)	20	Pin 18, Connector B (not used)