



Main

| | |
|---------------------------|-------------|
| Range compatibility | Lexium 28 |
| Product or component type | Servo motor |
| Device short name | BCH2 |

Complementary

| | |
|---------------------------|---|
| Maximum mechanical speed | 5000 rpm |
| [Us] rated supply voltage | 220 V |
| Phase | Three phase Single phase |
| Continuous stall current | 0.54 A |
| Continuous stall torque | 1.42 Lbf.in (0.16 N.m) LXM28... 0.64 A, 220 V, single phase 1.42 Lbf.in (0.16 N.m) LXM28... 0.64 A, 220 V, three phase 1.42 lbf.in (0.16 N.m) LXM28... 1.2 A, 110 V, single phase |
| Continuous power | 50 W |
| Peak stall torque | 4.25 Lbf.in (0.48 N.m) LXM28... 0.64 A, 220 V, single phase 4.25 Lbf.in (0.48 N.m) LXM28... 0.64 A, 220 V, three phase 4.25 lbf.in (0.48 N.m) LXM28... 1.2 A, 110 V, single phase |
| Nominal output power | 50 W LXM28... 0.64 A, 220 V, single phase 50 W LXM28... 0.64 A, 220 V, three phase 50 W LXM28... 1.2 A, 110 V, single phase |
| Nominal torque | 1.42 Lbf.in (0.16 N.m) LXM28... 0.64 A, 220 V, single phase 1.42 Lbf.in (0.16 N.m) LXM28... 0.64 A, 220 V, three phase 1.42 lbf.in (0.16 N.m) LXM28... 1.2 A, 110 V, single phase |
| Nominal speed | 3000 rpm LXM28... 0.64 A, 220 V, single phase 3000 rpm LXM28... 0.64 A, 220 V, three phase 3000 rpm LXM28... 1.2 A, 110 V, single phase |
| Maximum current Irms | 1.77 A LXM28... 0.05 kW, 220 V 1.77 A LXM28... 0.05 kW, 110 V |
| Maximum permanent current | 0.59 A |
| Product compatibility | LXM28... servo drive 0.05 kW, 220 V, single phase LXM28... servo drive 0.05 kW, 220 V, three phase LXM28... servo drive 0.05 kW, 110 V, single phase |
| Shaft end | Smooth shaft |
| Shaft diameter | 0.31 in (8 mm) |
| Shaft length | 0.98 in (25 mm) |
| Feedback type | 20 bits single turn absolute encoder |
| Holding brake | With |
| Holding torque | 2.83 lbf.in (0.32 N.m) built-in |
| Mounting support | Asian standard flange |
| Motor flange size | 1.57 in (40 mm) |
| Electrical connection | Free lead |
| Torque constant | 0.3 N.m/A 68 °F (20 °C) |
| Back emf constant | 18 V/krpm 68 °F (20 °C) |
| Rotor inertia | 0.055 kg.cm ² |

| | |
|---------------------------------------|-----------------------|
| Stator resistance | 31 Ohm 68 °F (20 °C) |
| Stator inductance | 24.7 mH 68 °F (20 °C) |
| Stator electrical time constant | 0.8 ms 68 °F (20 °C) |
| Maximum radial force Fr | 85 N 3000 rpm |
| Maximum axial force Fa | 40 N |
| Brake pull-in power | 4.35 W |
| Type of cooling | Natural convection |
| Length | 4.41 in (112 mm) |
| Number of motor stacks | 1 |
| Centring collar diameter | 1.18 in (30 mm) |
| Centring collar depth | 0.12 in (3 mm) |
| Number of mounting holes | 4 |
| Mounting holes diameter | 0.18 in (4.5 mm) |
| Circle diameter of the mounting holes | 1.81 in (46 mm) |
| Distance shaft shoulder-flange | 0.12 in (3 mm) |
| Net Weight | 1.32 lb(US) (0.6 kg) |

Environment

| | |
|---------------------------------------|---------------------------------|
| IP degree of protection | IP50 IM V3 IP65 IM B5, IM V1 |
| Ambient air temperature for operation | 32...104 °F (0...40 °C) |

Ordering and shipping details

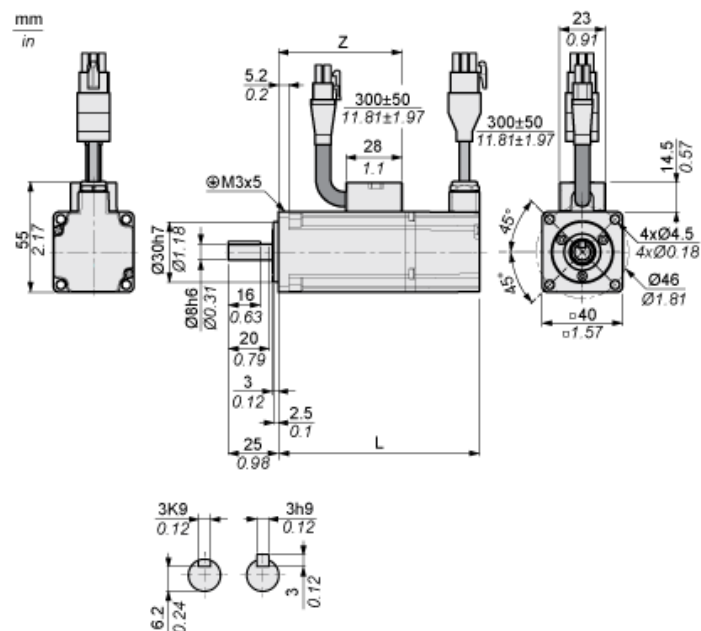
| | |
|-----------------------|-----------------------------|
| Category | 18281 - LEXIUM 23/28 MOTORS |
| Discount Schedule | PC53 |
| GTIN | 03606480733376 |
| Nbr. of units in pkg. | 1 |
| Package weight(Lbs) | 1 lb(US) (0.45 kg) |
| Returnability | No |
| Country of origin | CN |

Packing Units

| | |
|------------------------|-----------------|
| Unit Type of Package 1 | PCE |
| Package 1 Height | 3.15 in (8 cm) |
| Package 1 width | 5.12 in (13 cm) |
| Package 1 Length | 9.45 in (24 cm) |

Dimensions

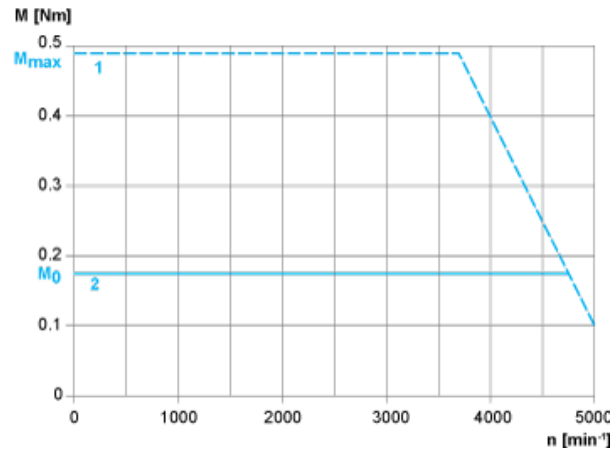
Dimensions of Motor



| | mm | in. |
|---------------------------|------|------|
| L (without holding brake) | 82 | 3.23 |
| L (with holding brake) | 112 | 4.41 |
| Z | 43.5 | 1.71 |

Torque/Speed Curves with 230 V Single/Three Phase Supply Voltage

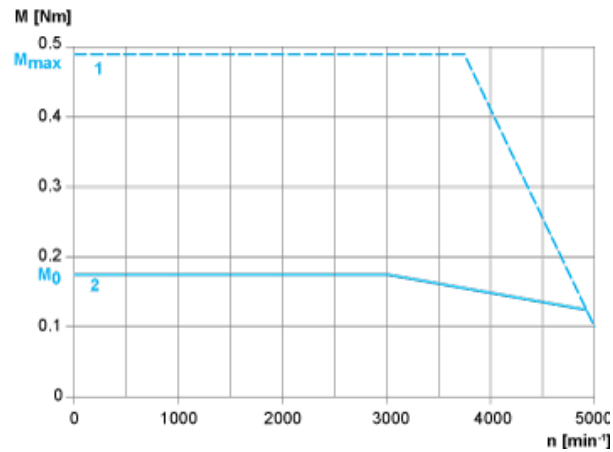
Servo Motor Without Shaft Sealing Ring and LXM28AUA5●●● Servo Drive



- 1 : Peak torque
- 2 : Continuous torque

Torque/Speed Curves with 230 V Single/Three Phase Supply Voltage

Servo Motor with shaft sealing ring and LXM28AUA5●●● Servo Drive



- 1 : Peak torque
- 2 : Continuous torque