

STBAVI1270K

analog input kit, Modicon STB, standard, +/- 10V, 2 I, 11bits with sign



Main

| | |
|---------------------------|--|
| Range of Product | Modicon STB distributed I/O solution |
| Product or Component Type | Standard analog input kit |
| Kit composition | STBXBA1000 base STBXTS1100, 6-terminal screw type connector STBAVI1270 module STBXTS2100, 6-terminal spring clamp connector |
| Analogue input type | Voltage +/- 10 V |
| Analogue input number | 2 |
| Analogue input resolution | 11 bits + sign |
| Type of filter | Single low pass input filter 25 Hz |

Complementary

| | |
|--|---|
| Absolute maximum input | 50 V DC |
| Response Time | 5 ms |
| Cold swapping | Yes |
| Hot swapping fallback | Yes for standard NIMs |
| Fallback status | State 0 basic NIMs User configurable standard NIMs |
| Data format | IEC 61131-2 EN 61131-2 |
| Update time | 10 ms |
| Integral linearity | +/- 0.2 %FS |
| Differential linearity | Monotonic |
| Input impedance | 400 kOhm |
| Maximum supply current for sensors | 100 mA per input channels |
| Protection Type | Short-circuit protection |
| Maximum source impedance | 1 kOhm |
| Absolute accuracy error | +/- 0.5 % of full scale 25 °C |
| Temperature Drift | +/-0.01 %/°C |
| Insulation between channels and logic bus | 1500 V for 1 minute |
| Insulation between channels and sensor bus | 30 V |
| Addressing requirement | 4 input words |
| Product Compatibility | Mounting base STBXBA1000 Power distribution module STBPDT3100/3105 |
| [Us] rated supply voltage | 24 V DC |
| Supply | Power distribution module |
| Current consumption | 30 mA 5 V DC logic bus |
| Marking | CE |
| Oversoltage category | II |
| Status LED | 1 LED (Green) module status (RDY) 1 LED (Red) module error (ERR) |
| Net Weight | 0.25 lb(US) (0.115 kg) |

The information provided in this documentation contains general descriptions and/or technical characteristics of the performance of the products contained herein. This documentation is not intended as a substitute for and is not to be used for determining suitability or reliability of these products for specific user applications. It is the duty of any such user or integrator to perform the appropriate and complete risk analysis, evaluation and testing of the products with respect to the relevant specific application or use thereof. Neither Schneider Electric Industries SAS nor any of its affiliates or subsidiaries shall be responsible or liable for misuse of the information contained herein.

Environment

| | |
|---------------------------------------|--|
| Product Certifications | CSA[RETURN]C-tick[RETURN]UL[RETURN]ATEX Cat 3G[RETURN]FM Class 1 Division 2 |
| Pollution degree | 2 IEC 60664-1 |
| Operating altitude | <= 6561.68 ft (2000 m) |
| IP degree of protection | IP20 conforming to IEC 61131-2 class 1 |
| Ambient Air Temperature for Operation | 32...140 °F (0...60 °C) |
| Ambient air temperature for operation | 32...140 °F without derating |
| Ambient air temperature for storage | -40...185 °F (-40...85 °C) without derating |
| Ambient air temperature for storage | -40...185 °F without derating |
| Relative humidity | 95 % 140 °F (60 °C) without condensation |
| Vibration resistance | +/-0.35 mm 10...58 Hz 3 gn 58...150 Hz 35 x 7.5 mm symmetrical DIN rail 5 gn 58...150 Hz 35 x 15 mm symmetrical DIN rail |
| Shock resistance | 30 gn 11 ms IEC 88 reference 2-27 |

Ordering and shipping details

| | |
|-------------------|------------------------|
| Category | 18215-ADVANTYS STB I/O |
| Discount Schedule | PC32 |
| GTIN | 3595863988918 |
| Returnability | No |
| Country of origin | ID |

Packing Units

| | |
|------------------------------|---------------------------|
| Unit Type of Package 1 | PCE |
| Number of Units in Package 1 | 1 |
| Package 1 Height | 0.98 in (2.5 cm) |
| Package 1 Width | 3.15 in (8.0 cm) |
| Package 1 Length | 5.12 in (13.0 cm) |
| Package 1 Weight | 4.87 oz (138.0 g) |
| Unit Type of Package 2 | S02 |
| Number of Units in Package 2 | 28 |
| Package 2 Height | 5.91 in (15.0 cm) |
| Package 2 Width | 11.81 in (30.0 cm) |
| Package 2 Length | 15.75 in (40.0 cm) |
| Package 2 Weight | 9.46 lb(US) (4.29 kg) |
| Unit Type of Package 3 | PAL |
| Number of Units in Package 3 | 448 |
| Package 3 Height | 23.62 in (60.0 cm) |
| Package 3 Width | 31.50 in (80.0 cm) |
| Package 3 Length | 176.38 in (448.0 cm) |
| Package 3 Weight | 136.30 lb(US) (61.824 kg) |

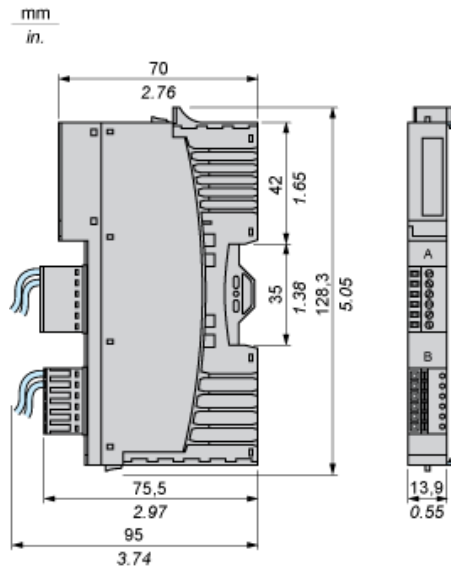
Offer Sustainability

| | |
|----------------------------|---|
| California proposition 65 | WARNING: This product can expose you to chemicals including: Lead and lead compounds, which is known to the State of California to cause cancer and birth defects or other reproductive harm. For more information go to www.P65Warnings.ca.gov |
| REACH Regulation | REACH Declaration |
| EU RoHS Directive | Pro-active compliance (Product out of EU RoHS legal scope) |
| Mercury free | Yes |
| China RoHS Regulation | China RoHS Declaration |
| RoHS exemption information | Yes |
| WEEE | The product must be disposed on European Union markets following specific waste collection and never end up in rubbish bins. |

Contractual warranty

| | |
|----------|-----------|
| Warranty | 18 months |
|----------|-----------|

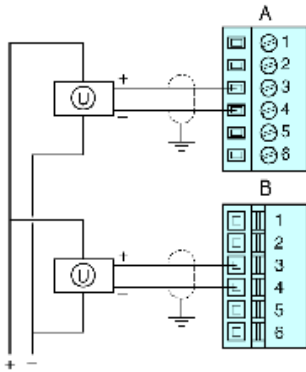
Dimensions



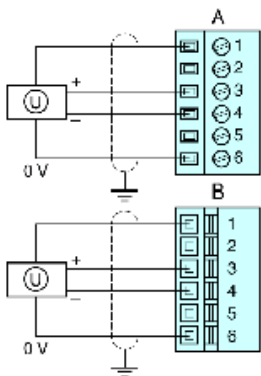
Wiring Diagrams

Examples

2 isolated analog sensors, external 24 VDC power supply



2 non-isolated analog sensors, 24 VDV supplied by the PDM



| Pin | Top Connections | Bottom Connections |
|-----|---|---|
| 1 | +24 VDC from field power bus for field device accessories | +24 VDC from field power bus for field device accessories |
| 2 | no connection | no connection |
| 3 | input from sensor 1 | input from sensor 2 |
| 4 | analog input return | analog input return |
| 5 | no connection | no connection |
| 6 | field power return (to the module) | field power return (to the module) |