

# Product data sheet

## Characteristics

# XVUC29P

Illuminated LED unit for modular tower lights, Harmony XVU, multi color, 60mm, steady blinking flashing rotating, pulse signal, IP65, 24V AC DC



### Main

|                                    |                               |
|------------------------------------|-------------------------------|
| Range of Product                   | Harmony XVU                   |
| Product or Component Type          | Modular tower light           |
| Beacon or indicator bank unit type | LED unit                      |
| Mounting diameter                  | 2.36 in (60 mm)               |
| Component name                     | XVU                           |
| Light source                       | LED, multi-colour             |
| Light source colour                | Green<br>Blue<br>Red<br>Amber |
| Device Application                 | Automotive                    |

### Complementary

|                                |  |
|--------------------------------|--|
| Signalling type                | Rotating<br>Blinking<br>Flashing<br>Steady |
| Assembly style                 | Customer assembly, up to 4 units           |
| Material                       | PC (polycarbonate) V-2 UL 94               |
| [Us] Rated Supply Voltage      | 24 V DC                                    |
| Maximum power dissipation in W | 1.7 W                                      |
| Current consumption            | <= 70 mA                                   |
| Functionality                  | Pulse signal                               |
| Signalling type                | Steady/blinking/flashing/rotating          |
| Length                         | 1.97 in (50 mm)                            |
| Net Weight                     | 0.15 lb(US) (0.069 kg)                     |

### Environment

|                                       |                            |
|---------------------------------------|----------------------------|
| Product Certifications                | CSA[RETURN]UL[RETURN]CE    |
| Ambient Air Temperature for Storage   | -40...158 °F (-40...70 °C) |
| IP degree of protection               | IP65                       |
| Ambient Air Temperature for Operation | -13...122 °F (-25...50 °C) |
| Vibration resistance                  | 2 gn                       |

### Ordering and shipping details

|                   |                        |
|-------------------|------------------------|
| Category          | 22618-XVU TOWER LIGHTS |
| Discount Schedule | XV                     |
| GTIN              | 3606480711541          |
| Returnability     | No                     |
| Country of origin | ID                     |

The information provided in this documentation contains general descriptions and/or technical characteristics of the performance of the products contained herein. This documentation is not intended as a substitute for and is not to be used for determining suitability or reliability of these products for specific user applications. It is the duty of any such user or integrator to perform the appropriate and complete risk analysis, evaluation and testing of the products with respect to the relevant specific application or use thereof. Neither Schneider Electric Industries SAS nor any of its affiliates or subsidiaries shall be responsible or liable for misuse of the information contained herein.

## Packing Units

|                              |                           |
|------------------------------|---------------------------|
| Unit Type of Package 1       | PCE                       |
| Number of Units in Package 1 | 1                         |
| Package 1 Height             | 3.66 in (9.3 cm)          |
| Package 1 Width              | 3.62 in (9.2 cm)          |
| Package 1 Length             | 5.12 in (13.0 cm)         |
| Package 1 Weight             | 6.03 oz (171.0 g)         |
| Unit Type of Package 2       | S03                       |
| Number of Units in Package 2 | 24                        |
| Package 2 Height             | 11.81 in (30 cm)          |
| Package 2 Width              | 11.81 in (30 cm)          |
| Package 2 Length             | 15.75 in (40 cm)          |
| Package 2 Weight             | 10.06 lb(US) (4.564 kg)   |
| Unit Type of Package 3       | P06                       |
| Number of Units in Package 3 | 96                        |
| Package 3 Height             | 29.53 in (75 cm)          |
| Package 3 Width              | 23.62 in (60 cm)          |
| Package 3 Length             | 31.50 in (80 cm)          |
| Package 3 Weight             | 127.50 lb(US) (57.832 kg) |

## Offer Sustainability

|                            |   |
|----------------------------|---|
| Sustainable offer status   | Green Premium product   |
| California proposition 65  | WARNING: This product can expose you to chemicals including: Lead and lead compounds, which is known to the State of California to cause cancer and birth defects or other reproductive harm. For more information go to <a href="http://www.P65Warnings.ca.gov">www.P65Warnings.ca.gov</a> |
| REACH Regulation           | <a href="#">REACH Declaration</a>   |
| EU RoHS Directive          | Pro-active compliance (Product out of EU RoHS legal scope)  |
| Mercury free               | Yes   |
| China RoHS Regulation      | <a href="#">China RoHS Declaration</a>  |
| RoHS exemption information | <a href="#">Yes</a>   |
| Environmental Disclosure   | <a href="#">Product Environmental Profile</a>   |
| Circularity Profile        | <a href="#">End Of Life Information</a>   |

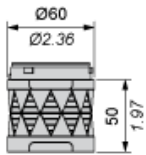
---

Illuminated LED Unit

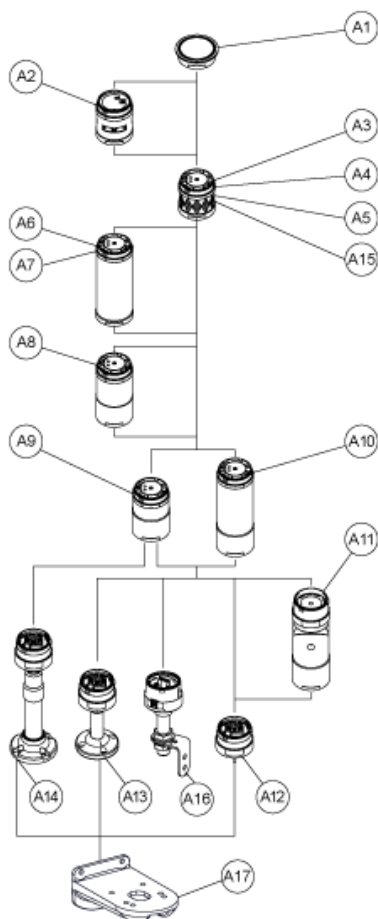
---

Dimensions

$\frac{\text{mm}}{\text{in.}}$



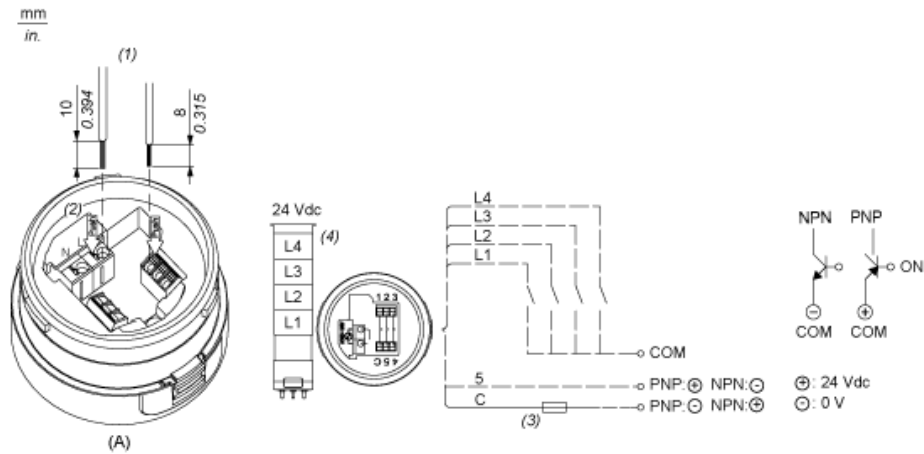
Modular Tower Lights Mounting



| Drawing  | Part number          | Part name                    |
|----------|----------------------|------------------------------|
| A1       | -                    | Top cover                    |
| -        | Top cover (Silver)   |                              |
| A2       | XVUC9S               | Buzzer unit                  |
| XVUC9SQ  | Buzzer unit (Silver) |                              |
| A3       | XVUC23               | Green LED unit               |
| XVUC24   | Red LED unit         |                              |
| XVUC25   | Orange LED unit      |                              |
| XVUC26   | Blue LED unit        |                              |
| XVUC27   | White LED unit       |                              |
| XVUC28   | Yellow LED unit      |                              |
| A4       | XVUC29               | Multi-LED unit               |
| A5       | XVUC29P              | Multi-LED unit, Pulse signal |
| A6       | XVUC9V               | Sound unit                   |
| A7       | XVUC9VP              | Sound unit, Pulse signal     |
| A8       | XVUC020              | Extender                     |
| XVUC020Q | Extender (Silver)    |                              |
| A9       | XVUC21B              | DC body                      |

| Drawing   | Part number                                    | Part name   |
|-----------|--|---|
| XVUC21BQ  | DC body (Silver)                               |   |
| A10       | XVUC21M  | AC body NPN   |
| XVUC21MP  | AC body PNP                                    |   |
| XVUC21MQP | AC body PNP (Silver)                           |   |
| A11       | XVUZ06   | Flexible option                                       |
| A12       | XVUZ01   | Fixing Unit - Direct mounting (3 pins)                |
| XVUZ01Q   | Fixing Unit - Direct mounting (Silver,3 pins)  |   |
| XVUZ03    | Fixing Unit - Direct mounting (2 pins)         |   |
| XVUZ04    | Fixing Unit - Direct mounting (4 pins)         |   |
| A13       | XVUZ02   | Fixing Unit - Plate with Pole (100 mm)                |
| XVUZ02Q   | Fixing Unit - Plate with Pole (100 mm, Silver) |   |
| XVUZ400   | Fixing Unit - Plate with Pole (400 mm)         |   |
| XVUZ800   | Fixing Unit - Plate with Pole (800 mm)         |   |
| A14       | XVUZ05   | Fixing Unit - Plate with adjustment pole (100-385 mm) |
| A15       | XVUC43   | Green LED unit, Flash                                 |
| XVUC44    | Red LED unit, Flash                            |   |
| XVUC45    | Orange LED unit, Flash                         |   |
| XVUC46    | Blue LED unit, Flash                           |   |
| XVUC47    | White LED unit, Flash                          |   |
| XVUC48    | Yellow LED unit, Flash                         |   |
| A16       | XVUZ100T                                       | Fixing Unit - Metal bracket with pole (100 mm)        |
| XVUZ250T  | Fixing Unit - Metal bracket with pole(250 mm)  |   |
| XVUZ400T  | Fixing Unit - Metal bracket with pole (400 mm) |   |
| A17       | XVUZ12   | Fixing plate for use on vertical support - black      |

Illuminated Units, Multi-LED and Audible Units Wiring



- (A) Fixing Unit
- (1) Dimensions of Wiring size
- (2) Push-in Wire Connectors
- (3) Fuse : 0.5A , 125V
- (4) Modular Tower Lights 24 VDC
- (5) 5: Power supply, 24VDC (PNP application) or GND (NPN application)
- (6) C: Power supply, 24VDC (NPN application) or GND (PNP application)
- L1 to Illuminated LED Units
- L4 :