



Main

Range compatibility	Lexium 28
Product or component type	Servo motor
Device short name	BCH2

Complementary

Maximum mechanical speed	5000 rpm
[Us] rated supply voltage	220 V
Phase	Single phase Three phase
Continuous stall current	0.54 A
Continuous stall torque	1.42 Lbf.in (0.16 N.m) LXM28... 0.64 A, 220 V, single phase 1.42 Lbf.in (0.16 N.m) LXM28... 0.64 A, 220 V, three phase 1.42 lbf.in (0.16 N.m) LXM28... 1.2 A, 110 V, single phase
Continuous power	50 W
Peak stall torque	4.25 Lbf.in (0.48 N.m) LXM28... 0.64 A, 220 V, single phase 4.25 Lbf.in (0.48 N.m) LXM28... 0.64 A, 220 V, three phase 4.25 lbf.in (0.48 N.m) LXM28... 1.2 A, 110 V, single phase
Nominal output power	50 W LXM28... 0.64 A, 220 V, single phase 50 W LXM28... 0.64 A, 220 V, three phase 50 W LXM28... 1.2 A, 110 V, single phase
Nominal torque	1.42 Lbf.in (0.16 N.m) LXM28... 0.64 A, 220 V, single phase 1.42 Lbf.in (0.16 N.m) LXM28... 0.64 A, 220 V, three phase 1.42 lbf.in (0.16 N.m) LXM28... 1.2 A, 110 V, single phase
Nominal speed	3000 rpm LXM28... 0.64 A, 220 V, single phase 3000 rpm LXM28... 0.64 A, 220 V, three phase 3000 rpm LXM28... 1.2 A, 110 V, single phase
Maximum current Irms	1.77 A LXM28... 0.05 kW, 220 V 1.77 A LXM28... 0.05 kW, 110 V
Maximum permanent current	0.59 A
Product compatibility	LXM28... servo drive 0.05 kW, 220 V, single phase LXM28... servo drive 0.05 kW, 220 V, three phase LXM28... servo drive 0.05 kW, 110 V, single phase
Shaft end	Smooth shaft
Shaft diameter	0.31 in (8 mm)
Shaft length	0.98 in (25 mm)
Feedback type	20 bits single turn absolute encoder
Holding brake	Without
Mounting support	Asian standard flange
Motor flange size	1.57 in (40 mm)
Electrical connection	Free lead
Torque constant	0.3 N.m/A 68 °F (20 °C)
Back emf constant	18 V/krpm 68 °F (20 °C)
Rotor inertia	0.054 kg.cm ²

Stator resistance	31 Ohm 68 °F (20 °C)
Stator inductance	24.7 mH 68 °F (20 °C)
Stator electrical time constant	0.8 ms 68 °F (20 °C)
Maximum radial force Fr	85 N 3000 rpm
Maximum axial force Fa	40 N
Brake pull-in power	4.35 W
Type of cooling	Natural convection
Length	3.23 in (82 mm)
Number of motor stacks	1
Centring collar diameter	1.18 in (30 mm)
Centring collar depth	0.12 in (3 mm)
Number of mounting holes	4
Mounting holes diameter	0.18 in (4.5 mm)
Circle diameter of the mounting holes	1.81 in (46 mm)
Distance shaft shoulder-flange	0.12 in (3 mm)
Net Weight	0.88 lb(US) (0.4 kg)

Environment

IP degree of protection	IP50 IM V3 IP65 IM B5, IM V1
Ambient air temperature for operation	-4...104 °F (-20...40 °C)

Ordering and shipping details

Category	18281 - LEXIUM 23/28 MOTORS
Discount Schedule	PC53
GTIN	03606480733369
Nbr. of units in pkg.	1
Package weight(Lbs)	1.4 lb(US) (0.64 kg)
Returnability	No
Country of origin	CN

Packing Units

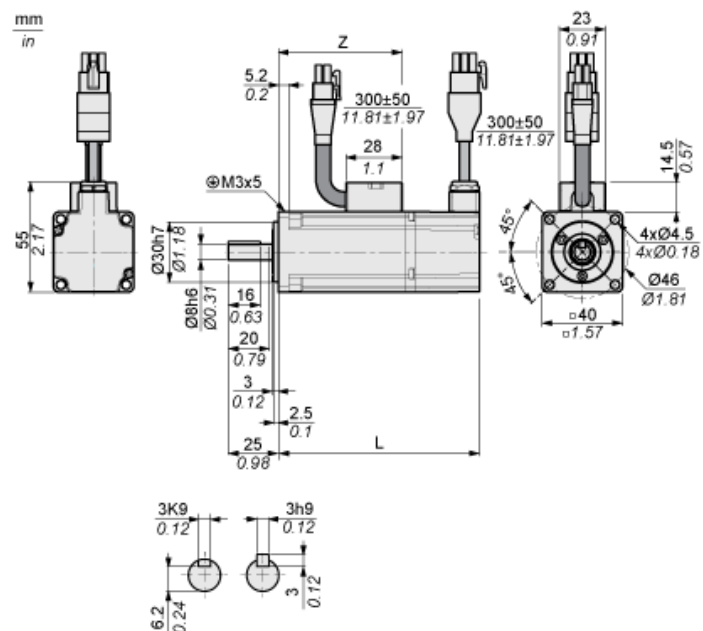
Unit Type of Package 1	PCE
Package 1 Height	3.15 in (8 cm)
Package 1 width	5.12 in (13 cm)
Package 1 Length	9.45 in (24 cm)

Offer Sustainability

Sustainable offer status	Green Premium product
California proposition 65	WARNING: This product can expose you to chemicals including: Lead and lead compounds, which is known to the State of California to cause cancer and birth defects or other reproductive harm. For more information go to www.P65Warnings.ca.gov
REACH Regulation	REACH Declaration
REACH free of SVHC	Yes
EU RoHS Directive	Pro-active compliance (Product out of EU RoHS legal scope) EU RoHS Declaration
Mercury free	Yes
RoHS exemption information	Yes
China RoHS Regulation	China RoHS Declaration
Environmental Disclosure	Product Environmental Profile
Circularity Profile	End Of Life Information
WEEE	The product must be disposed on European Union markets following specific waste collection and never end up in rubbish bins.
PVC free	Yes

Dimensions

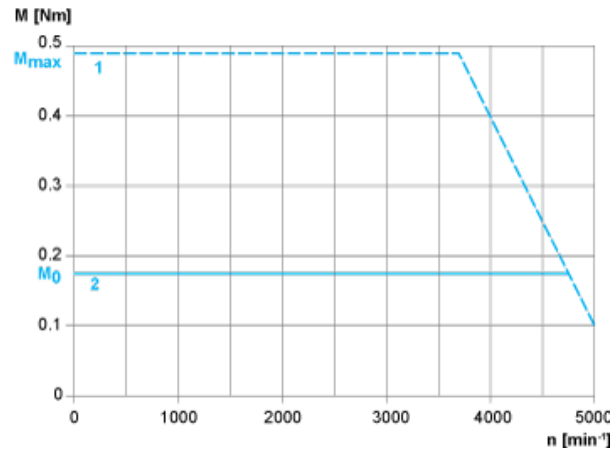
Dimensions of Motor



	mm	in.
L (without holding brake)	82	3.23
L (with holding brake)	112	4.41
Z	43.5	1.71

Torque/Speed Curves with 230 V Single/Three Phase Supply Voltage

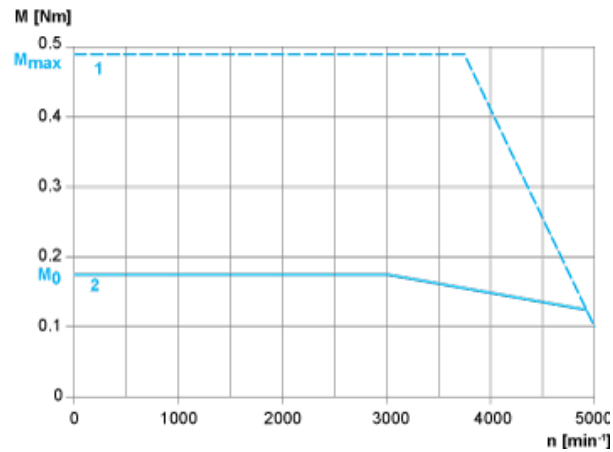
Servo Motor Without Shaft Sealing Ring and LXM28AUA5●●● Servo Drive



- 1 : Peak torque
- 2 : Continuous torque

Torque/Speed Curves with 230 V Single/Three Phase Supply Voltage

Servo Motor with shaft sealing ring and LXM28AUA5●●● Servo Drive



- 1 : Peak torque
- 2 : Continuous torque