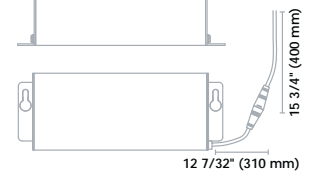
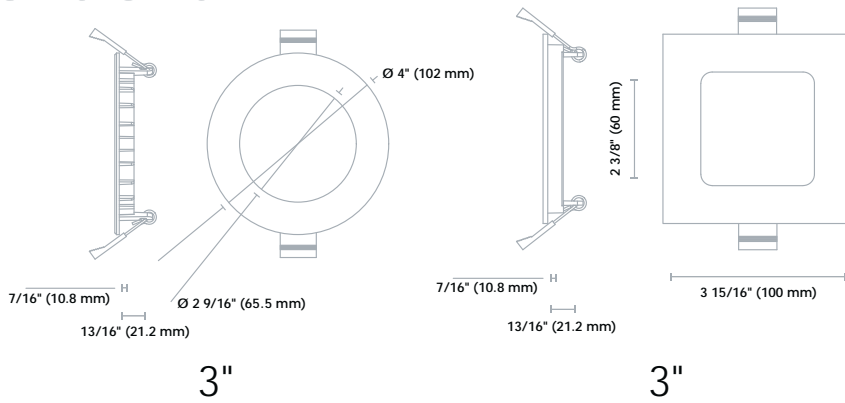


Dimensions



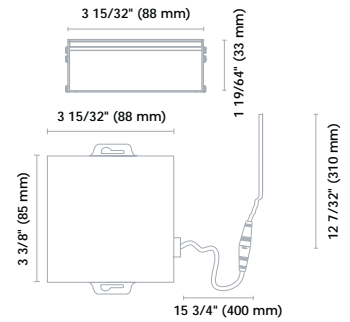
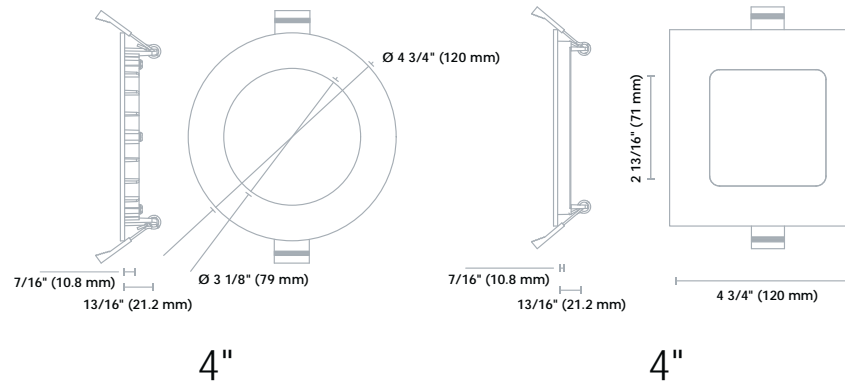
Ø 3 5/8" (90 mm)



3" LED Driver



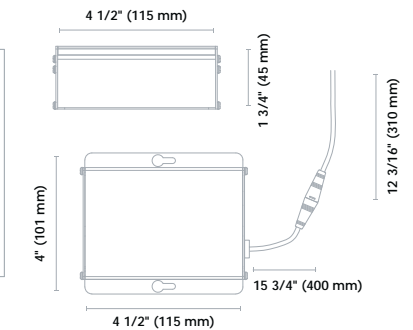
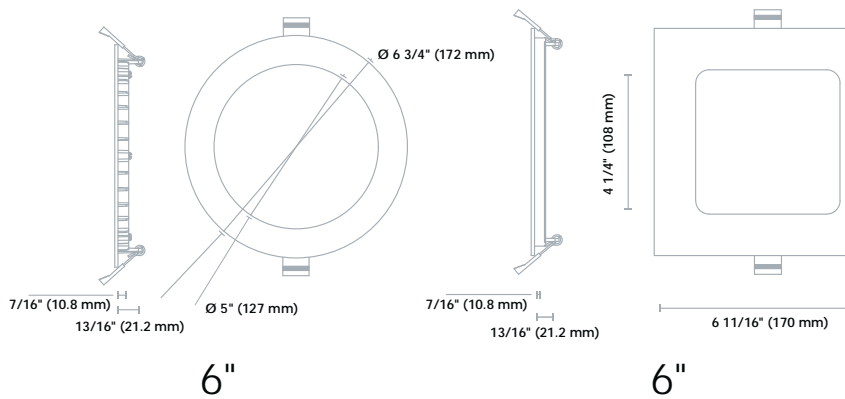
Ø 4 1/4" (108 mm)



S1 4" and 6" LED Driver



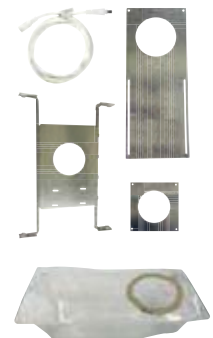
Ø 6 5/16" (160 mm)



S2 4" and 6" LED Driver

Accessories

Order Code	Description	Opening diameter (in.)	Type	Case qty (master)
66049	ACC/MPLATE/3.625IN/SQR/STD	3 5/8	Square mounting plate	96
66056	ACC/MPLATE/3.625IN/ADJ/STD	3 5/8	Adjustable mounting plate	96
66142	ACC/3/VAPOR BARRIER/STD	3 5/8	Vapor barrier extender	50
66820	ACC/MPLATE/3.625IN/HANG.BARS/STD	3 5/8	Mounting plate with hanger bars	25
66051	ACC/MPLATE/4.25IN/SQR/STD	4 1/4	Square mounting plate	100
66058	ACC/MPLATE/4.25IN/ADJ/STD	4 1/4	Adjustable mounting plate	50
62678	ACC/MPLATE/4.25IN/HANG.BARS/STD	4 1/4	Mounting plate with hanger bars	20
66143	ACC/4/VAPOR BARRIER/STD	4 1/4	Vapor barrier extender	50
66822	ACC/MPLATE/6.25IN/HANG.BARS/STD	6 1/4	Mounting plate with hanger bars	25
64263	ACC/MPLATE/6.25IN/SQR/STD	6 1/4	Square mounting plate	96
64921	ACC/MPLATE/6.25IN/ADJ/STD	6 1/4	Adjustable mounting plate	24
66144	ACC/6/VAPOR BARRIER/STD	6 7/32	Vapor barrier extender	50
64264	LPDL/ACC/6FT/EXTCABLE/STD	-	6' extension cord	96
66964	LPDL/ACC/6FT/EXTCABLE/FT6/STD	-	6' FT6 extension cord	96



Lumen values are derived from photometric testing. For a complete list of compatible dimmers and ENERGY STAR qualified products, please visit www.standardpro.com