



Main

| | |
|---|---|
| Range of product | OsiSense XM |
| Product or component type | Electromechanical pressure sensor |
| Pressure sensor type | Electromechanical pressure sensor |
| Device short name | XMLB |
| Pressure sensor size | 2320.60 psi (160 bar) |
| Controlled fluid | Fresh water (0...160 °C) |
| Fluid connection type | G 1/4 (female) conforming to ISO 228 |
| Electrical connection | Screw-clamps terminals, 1 x 0.5...2 x 2.5 mm ² |
| AWG gauge | AWG 20...AWG 14 |
| Cable entry | Cable gland 7...13 mm |
| Contacts type and composition | 1 C/O |
| Product specific application | - |
| Pressure switch type of operation | Regulation between 2 thresholds |
| Electrical circuit type | Control circuit |
| Scale type | Adjustable differential |
| Local display | With |
| Adjustable range of switching point on rising pressure | 145.04...2320.60 psi (10...160 bar) |
| Adjustable range of switching point on falling pressure | 10.15...2018.93 psi (0.7...139.2 bar) |
| Possible differential maximum at high setting | 1450.38 psi (100 bar) |
| Maximum permissible accidental pressure | 5221.36 psi (360 bar) |
| Destruction pressure | 10442.72 psi (720 bar) |
| Pressure actuator | Piston |
| Materials in contact with fluid | 316L stainless steel Brass |

Disclaimer: This documentation is not intended as a substitute for and is not to be used for determining suitability or reliability of these products for specific user applications

PTFE
FPM, FKM

| | |
|--------------------|--|
| Enclosure material | Zinc alloy |
| [In] rated current | 3 A, B300, AC-15 (Ue = 120 V) conforming to EN/IEC 60947-5-1 1.5 A, B300, AC-15 (Ue = 240 V) conforming to EN/IEC 60947-5-1 0.1 A, R300, DC-13 (Ue = 250 V) conforming to EN/IEC 60947-5-1 |

Complementary

| | |
|---|---|
| Possible differential minimum at low setting | 134.89 psi (9.3 bar) - 1.8 bar, + 1.5 bar) |
| Possible differential minimum at high setting | 301.68 psi (20.8 bar) - 1.9 bar, + 1.6 bar) |
| Maximum permissible pressure - per cycle | 2900.75 psi (200 bar) |
| Terminal block type | 4 terminals |
| Maximum operating rate | 60 cyc/mn |
| Repeat accuracy | 2 % |
| [Ui] rated insulation voltage | 300 V conforming to UL 508 500 V conforming to EN/IEC 60947-1 300 V conforming to CSA C22.2 No 14 |
| [Uimp] rated impulse withstand voltage | EN/IEC 60947-1 6 kV |
| Auxiliary contacts operation | Snap action |
| Contacts material | Silver contacts |
| Maximum resistance across terminals | 25 mOhm conforming to IEC 255-7 category 3 25 mOhm conforming to NF C 93-050 method A |
| Short-circuit protection | 10 A cartridge fuse, type gG (gl) |
| Mechanical durability | 6000000 cycles |
| Setting | External |
| Height | 4.45 in (113 mm) |
| Depth | 2.95 in (75 mm) |
| Width | 1.38 in (35 mm) |
| Net weight | 1.65 lb(US) (0.75 kg) |

Environment

| | |
|---------------------------------------|--|
| Standards | CSA C22.2 No 14 UL 508 CE EN/IEC 60947-5-1 |
| Product certifications | CCC EAC CSA UL LROS (Lloyds register of shipping) BV |
| Protective treatment | TC standard version |
| Ambient air temperature for operation | -13...158 °F (-25...70 °C) |
| Ambient air temperature for storage | -40...158 °F (-40...70 °C) |
| Operating position | Any position |
| Vibration resistance | 4 gn conforming to IEC 60068-2-6 (f = 30...500 Hz) |
| Shock resistance | 50 gn conforming to IEC 60068-2-27 |
| Electrical shock protection class | Class I conforming to IEC 1140 Class I conforming to IEC 536 Class I conforming to NF C 20-030 |
| IP degree of protection | IP66 conforming to EN/IEC 60529 |

Packing Units

| | |
|------------------|------------------------|
| Package 1 Weight | 0.19 lb(US) (0.088 kg) |
| Package 1 Height | 1.250 dm |

| | |
|------------------|----------|
| Package 1 width | 0.420 dm |
| Package 1 Length | 0.820 dm |

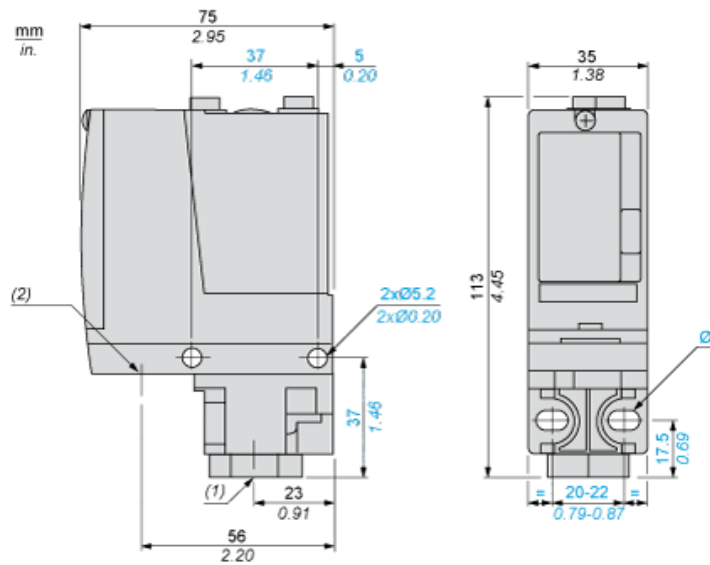
Offer Sustainability

| | |
|----------------------------|---|
| Sustainable offer status | Green Premium product |
| REACH Regulation | REACH Declaration |
| EU RoHS Directive | Pro-active compliance (Product out of EU RoHS legal scope) EU RoHS Declaration |
| Mercury free | Yes |
| RoHS exemption information | Yes |
| Environmental Disclosure | Product Environmental Profile |

Contractual warranty

| | |
|----------|-----------|
| Warranty | 18 months |
|----------|-----------|

Dimensions



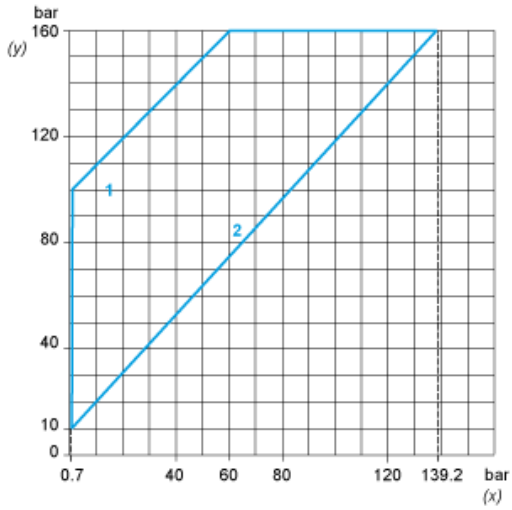
- (1) 1 fluid entry, tapped G1/4 (BSP female)
(2) 1 electrical connections entry, tapped M20 x 1.5
Ø : 2 elongated holes Ø 5.2 x 6.7

Wiring Diagram

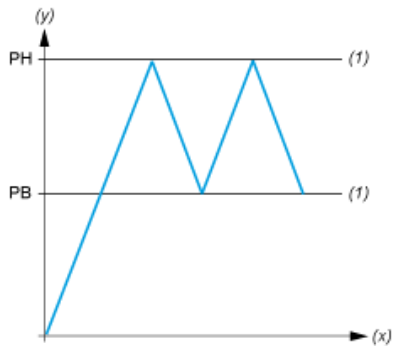
Terminal Model



Operating Curves



- (y) Rising pressure
- (x) Falling pressure
- 1 : Maximum differential
- 2 : Minimum differential



- (y) Pressure
- (x) Time
- (1) Adjustable value
- PH : High point
- PB : Below point