

ZART8LM

Basic features - 2 auxiliary pushbuttons LEDs used as Slave in MBC(Tandem)



Main

Range of product	Harmony XAR
Product or component type	Hand-held remote control
Device short name	ZART
Control button type	6 configurable motion push-button 2 configurable auxiliary push-button

Complementary

Device application	Slave in multiple bridge control (tandem)
Material	Enclosure PC (polycarbonate) Enclosure PBT (polybutylene terephthalate) Cover PP (polypropylene) Protective cover EPDM rubber
Function available	Accelerometer function
Display type	4 LEDs
Operating distance	50 m
Mechanical robustness	Free fall resistance 4.5 m IEC 60068-2-27
Communication network type	Wireless bluetooth low energy
Transmission frequency	2.4 GHz
Maximum sensing distance	328.08 ft (100 m) in free field
Response time	< 300 ms full duplex
Charging time	900 s
Mechanical durability	5000000 cycles
Service life	5 year(s)
Width	3.94 in (100 mm)
Height	13.39 in (340 mm)
Depth	3.54 in (90 mm)
Net weight	1.43 lb(US) (0.65 kg)

Environment

Radio agreement	RSS FCC ICASA
-----------------	---------------------

SRRRC
ARIB
ANATEL

IP degree of protection	IP65
NEMA degree of protection	NEMA 4
Ambient air temperature for operation	-4...140 °F (-20...60 °C)
Ambient air temperature for storage	-4...113 °F (-20...45 °C)
Operating altitude	0...2000 m
Storage altitude	0.00...9842.52 ft (0...3000 m)
Vibration resistance	0.075 mm 10...55 Hz)IEC 60068-2-6
Shock resistance	100 gn conforming to IEC 60068-2-27
Relative humidity	0...95 % at -20...60 °C operating
Product certifications	EAC CSA C-Tick UL CE KC JIS

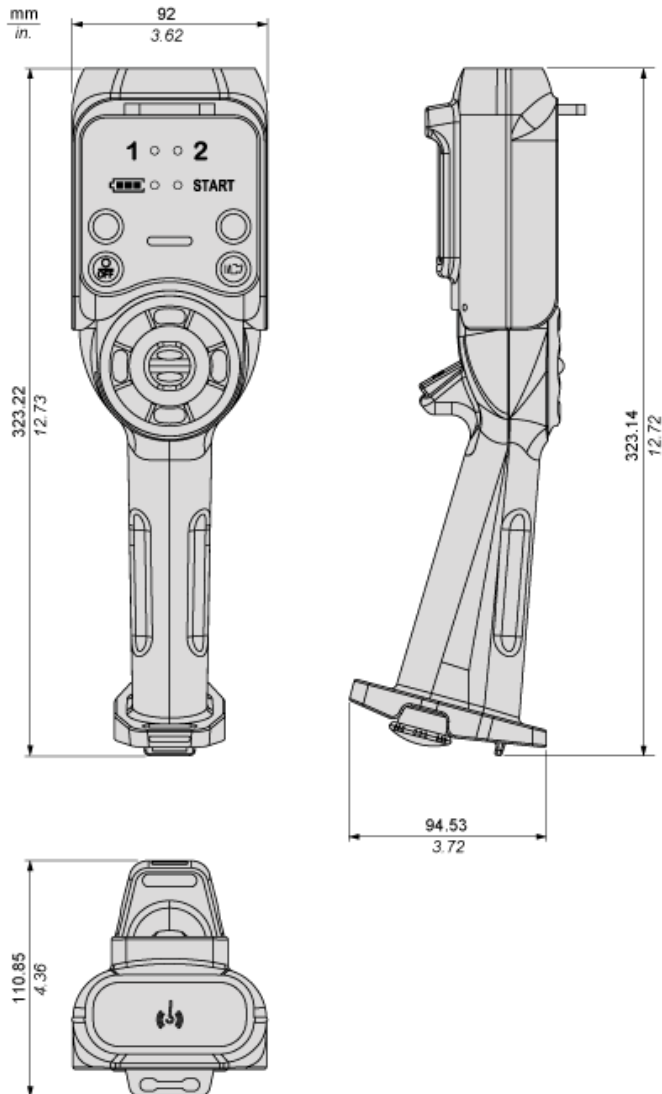
Packing Units

Package 1 Weight	1.57 lb(US) (0.713 kg)
Package 1 Height	1.070 dm
Package 1 width	1.020 dm
Package 1 Length	3.360 dm

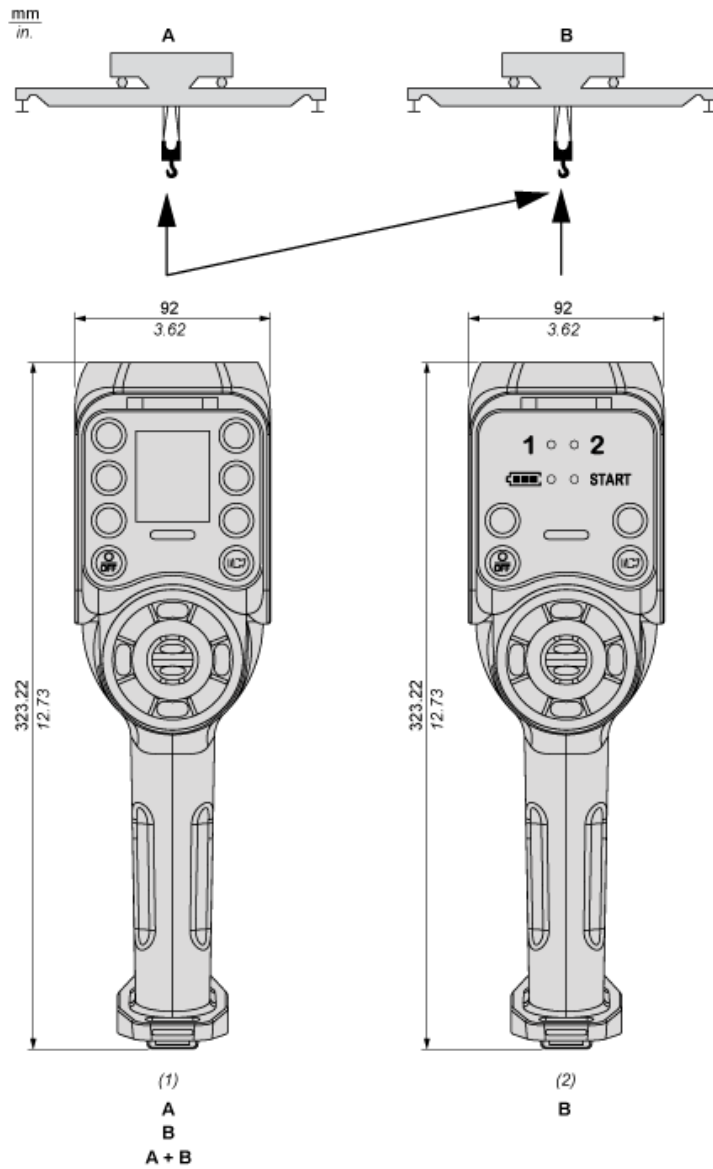
Offer Sustainability

EU RoHS Directive	Pro-active compliance (Product out of EU RoHS legal scope) EU RoHS Declaration
Mercury free	Yes
RoHS exemption information	Yes
China RoHS Regulation	China RoHS declaration
WEEE	The product must be disposed on European Union markets following specific waste collection and never end up in rubbish bins

Dimensions



Multiple Bridge Control



- A : Bridge 1
- B : Bridge 2
- (1) Master
- (2) Slave