



Main

| | |
|---------------------------|-------------------------------|
| Range of Product | Modicon MCM |
| Product or Component Type | Non-safe communication module |
| Device short name | XPSMCM |
| [Us] rated supply voltage | 24 V - 20...20 % DC |

Complementary

| | |
|--|--|
| Power dissipation in W | 3 W |
| Quality labels | CE |
| Range Compatibility | Preventa XPSMCM |
| Connector type | RJ45 |
| Number of port | 1 |
| Method of access | Server |
| Transmission rate | 1.2 kbit/s 2.4 kbit/s 4.8 kbit/s 9.6 kbit/s 19.2 kbit/s 38.4 kbit/s |
| Communication port protocol | Modbus serial |
| Current Consumption | 0.125 mA |
| Maximum cable distance between devices | 3280.84 ft (1000 m) |
| Local signalling | LED green PWR power ON LED green RUN operating LED red E IN internal error LED red E EX external error LED green/red NET connection state LED green/red STS communication status |
| Connections - terminals | 2 captive screw clamp terminals, removable terminal block |
| Cable cross section | 0.00...0.00 In ² (0.2...1.5 mm ²) - AWG 24...AWG 16 flexible without cable end 0.00...0.00 In ² (0.2...2.5 mm ²) - AWG 24...AWG 14 flexible without cable end 0.00...0.00 In ² (0.25...1 mm ²) - AWG 23...AWG 18 flexible with cable end, without bezel 0.00...0.00 In ² (0.25...2.5 mm ²) - AWG 23...AWG 14 flexible with cable end, with bezel 0.00...0.00 In ² (0.25...2.5 mm ²) - AWG 23...AWG 14 flexible with cable end, without bezel 0.00...0.00 In ² (0.5...1.5 mm ²) - AWG 20...AWG 16 flexible with cable end, with double bezel 0.00...0.00 In ² (0.2...1 mm ²) - AWG 24...AWG 18 solid without cable end 0.00...0.00 in ² (0.2...2.5 mm ²) - AWG 24...AWG 14 solid without cable end |
| Mounting support | Omega 35 mm DIN rail EN 50022 |
| Width | 0.89 in (22.5 mm) |
| Height | 3.90 in (99 mm) |
| Depth | 4.51 in (114.5 mm) |
| Net Weight | 0.66 lb(US) (0.3 kg) |

The information provided in this documentation contains general descriptions and/or technical characteristics of the performance of the products contained herein. This documentation is not intended as a substitute for and is not to be used for determining suitability or reliability of these products for specific user applications. It is the duty of any such user or integrator to perform the appropriate and complete risk analysis, evaluation and testing of the products with respect to the relevant specific application or use thereof. Neither Schneider Electric Industries SAS nor any of its affiliates or subsidiaries shall be responsible or liable for misuse of the information contained herein.

Environment

| | |
|---------------------------------------|---|
| Product Certifications | cULus[RETURN]RCM[RETURN]TÜV |
| IP Degree of Protection | IP20 |
| Ambient Air Temperature for Operation | 14...131 °F (-10...55 °C) |
| Ambient Air Temperature for Storage | -4...185 °F (-20...85 °C) |
| Relative humidity | 10...95 % |
| Pollution degree | 2 |
| Insulation | 250 V AC between power supply and housing IEC 61800-5-1 |
| Overvoltage category | II |
| Electromagnetic compatibility | Electrostatic discharge immunity test - test level: 6 kV (on contact) conforming to IEC 61000-4-2 Electrostatic discharge immunity test - test level: 20 kV (on air) conforming to IEC 61000-4-2 Susceptibility to electromagnetic fields - test level: 10 V/m (80...1000 MHz) conforming to IEC 61000-4-3 Susceptibility to electromagnetic fields - test level: 30 V/m (1.4 GHz...2 GHz) conforming to IEC 61000-4-3 |
| Vibration resistance | +/-0.35 mm 10...55 Hz)IEC 61496-1 |
| Shock resistance | 10 gn 16 ms) 1000 shocks on each axis IEC 61496-1 |
| Operating altitude | 6561.68 ft (2000 m) |
| Service Life | 20 year(s) |




Ordering and shipping details

| | |
|-------------------|---------------------------------|
| Category | 22477-SAFETY MODULES (PREVENTA) |
| Discount Schedule | SAF2 |
| GTIN | 3606480748462 |
| Returnability | No |
| Country of origin | IT |

Packing Units

| | |
|------------------------------|------------------------|
| Unit Type of Package 1 | PCE |
| Number of Units in Package 1 | 1 |
| Package 1 Height | 1.77 in (4.5 cm) |
| Package 1 Width | 5.04 in (12.8 cm) |
| Package 1 Length | 6.38 in (16.2 cm) |
| Package 1 Weight | 8.15 oz (231.0 g) |
| Unit Type of Package 2 | S01 |
| Number of Units in Package 2 | 6 |
| Package 2 Height | 5.91 in (15.0 cm) |
| Package 2 Width | 5.91 in (15.0 cm) |
| Package 2 Length | 15.75 in (40.0 cm) |
| Package 2 Weight | 3.53 lb(US) (1.601 kg) |

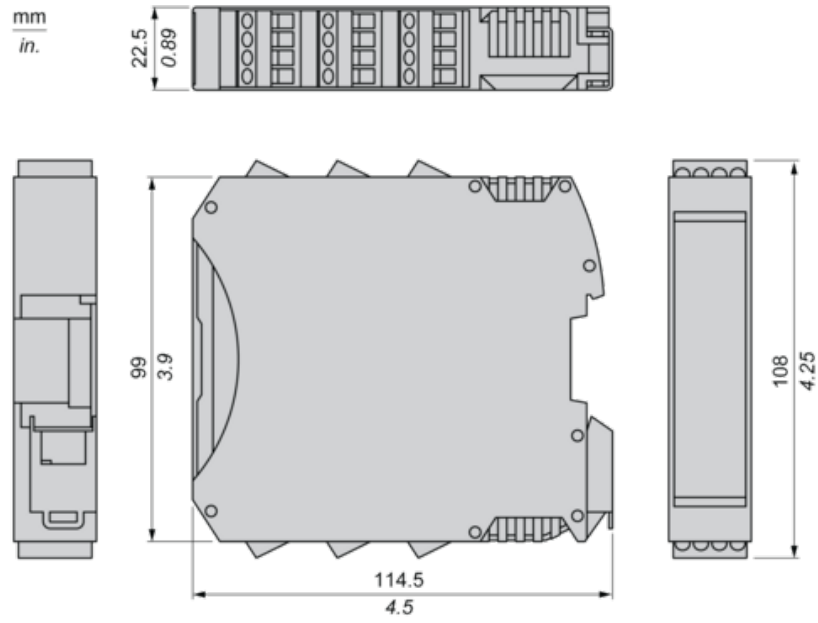
Offer Sustainability

| | |
|----------------------------|---|
| Sustainable offer status | Green Premium product |
| California proposition 65 | WARNING: This product can expose you to chemicals including: Lead and lead compounds, which is known to the State of California to cause cancer and birth defects or other reproductive harm. For more information go to www.P65Warnings.ca.gov |
| REACH Regulation |  REACH Declaration |
| REACH free of SVHC | Yes |
| EU RoHS Directive | Pro-active compliance (Product out of EU RoHS legal scope) |
| Mercury free | Yes |
| China RoHS Regulation |  China RoHS Declaration |
| RoHS exemption information |  Yes |

| | |
|--------------------------|--|
| Environmental Disclosure | Product Environmental Profile |
| Circularity Profile | End Of Life Information |
| WEEE | The product must be disposed on European Union markets following specific waste collection and never end up in rubbish bins. |
| PVC free | Yes |

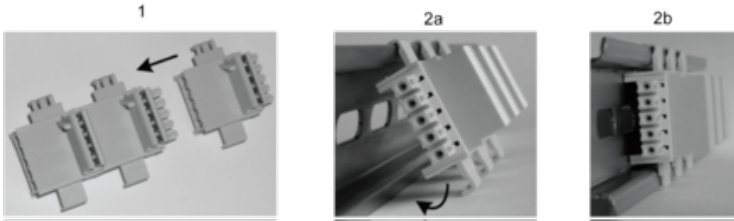
Dimensions

Screw Terminal



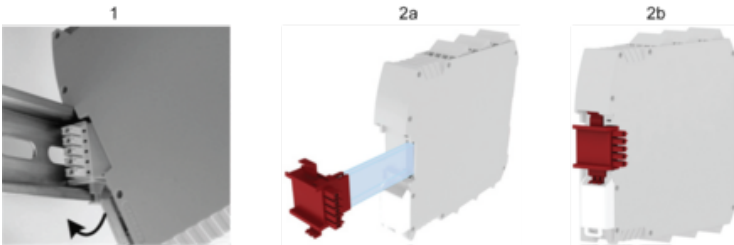
Mounting Safety Controller CPU with Module(s)

Mount BackPlane Connector on Rail



- 1 : Connect as much Backplane Connector as module to be install.
- 2 : Fix the connectors to the rail (Top first).

Mount Safety Controller CPU with Other Module(s)



- 1 : Mount controller CPU and modules on rail.
- 2 : Make sure that the controller CPU or the module(s) are plugged on the BackPlane connector.

Connection & Schema

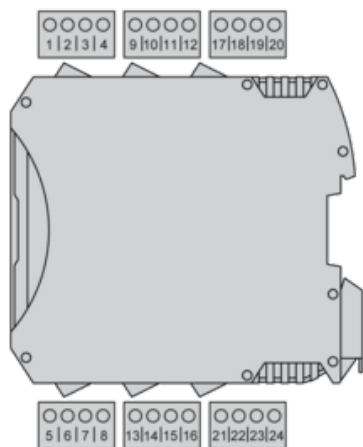
Modbus Serial Connector



| | |
|-------------|---|
| Description | MBS (Modbus Serial) standard communication device |
| Wiring | <p>PIN/Signal/ Description</p> <p>1/ not connected</p> <p>2/ not connected</p> <p>3/ not connected</p> <p>4/ D1</p> <p>5/ D0</p> <p>6/ not connected</p> <p>7/ VP (+5 Vdc)</p> <p>8/ Common</p> |
| Data sets | <p>Input status, input diagnostics,</p> <p>fieldbus input status, probe status,</p> <p>safety output status, safety output diagnostics</p> |

Wiring

Terminal Designation



| Terminal | Signal | Description |
|----------|--------|---------------------|
| 1 | 24 VDC | 24 Vdc power supply |
| 2 | - | Not connected |
| 3 | | |
| 4 | 0 VDC | 0 Vdc power supply |
| 5 | - | Not connected |
| 6 | | |
| 7 | | |
| 8 | | |

Wiring Example

