



### Main

Range of Product	Harmony 9001K Harmony 9001SK
Product or Component Type	Light block
Device short name	9001K
Bulb base	BA 9s
Light block supply	Direct via integral transformer 6 V

### Complementary

Net Weight	0.32 lb(US) (0.144 kg)
Light source	Incandescent bulb
[Us] rated supply voltage	230 V AC
[Us] rated supply voltage	220...240 V
Light block supply	Via integral transformer
Supply frequency	50...60 Hz
Size	30 mm

### Environment

Protective treatment	TC
Ambient Air Temperature for Storage	-40...158 °F (-40...70 °C)
Ambient Air Temperature for Operation	-13...158 °F (-25...70 °C)
IP degree of protection	IP20 IEC 60529
Standards	UL 508 JIS C 852 EN/IEC 60947-5-1 EN/IEC 60947-5-4 JIS C 4520 CSA C22.2 No 14 EN/IEC 60947-1
Product Certifications	NEMA[RETURN]JUL 508
Electrical shock protection class	Class II IEC 61140
Vibration resistance	7 gn 2...500 Hz)IEC 60068-2-6
Shock resistance	50 gn IEC 60068-2-27

### Ordering and shipping details

Category	21435-9001 KM LIGHT MODULES
Discount Schedule	CS1
GTIN	785901725435
Returnability	Yes
Country of origin	MX

The information provided in this documentation contains general descriptions and/or technical characteristics of the performance of the products contained herein. This documentation is not intended as a substitute for and is not to be used for determining suitability or reliability of these products for specific user applications. It is the duty of any such user or integrator to perform the appropriate and complete risk analysis, evaluation and testing of the products with respect to the relevant specific application or use thereof. Neither Schneider Electric Industries SAS nor any of its affiliates or subsidiaries shall be responsible or liable for misuse of the information contained herein.

## Packing Units

Unit Type of Package 1	PCE
Number of Units in Package 1	1
Package 1 Height	1.90 in (4.826 cm)
Package 1 Width	2.30 in (5.842 cm)
Package 1 Length	3.70 in (9.398 cm)
Package 1 Weight	5.28 oz (149.686 g)

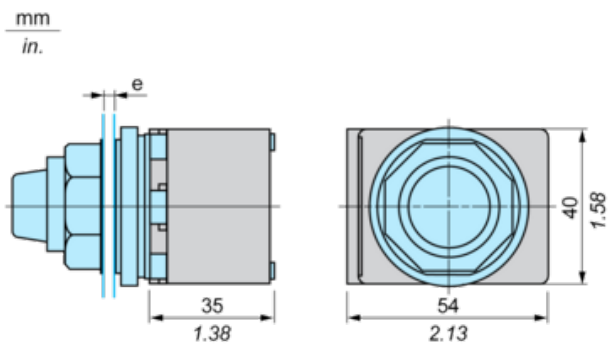
## Offer Sustainability

Sustainable offer status	Green Premium product
California proposition 65	WARNING: This product can expose you to chemicals including: Lead and lead compounds, which is known to the State of California to cause cancer and birth defects or other reproductive harm. For more information go to <a href="http://www.P65Warnings.ca.gov">www.P65Warnings.ca.gov</a>
REACH Regulation	<a href="#">REACH Declaration</a>
EU RoHS Directive	Pro-active compliance (Product out of EU RoHS legal scope)
Mercury free	Yes
China RoHS Regulation	<a href="#">China RoHS Declaration</a>
RoHS exemption information	<a href="#">Yes</a>
Environmental Disclosure	<a href="#">Product Environmental Profile</a>
Circularity Profile	No need of specific recycling operations
WEEE	The product must be disposed on European Union markets following specific waste collection and never end up in rubbish bins.

## Contractual warranty

Warranty	18 months
----------	-----------

Dimensions



e panel thickness: 1 to 6 mm / 0.04 to 0.24 in.