

Ordering information

Part number example

PLL4N/UNV1 S903 TF P EM

Champ Pro series linear LED, cool white, 4 foot, 3/4" hubs, 80° narrow light pattern, 100-277 VAC driver, polycarbonate lens, through feed hubs, painted, emergency battery backup

PLL	4	N	/UNV1	S903	TF	P	EM		
Series				Lens			Emergency backup		
PLL	Champ Pro series linear LED luminaire			BLANK	Glass		EM*	Emergency battery back-up kit	
Length/lumens				S891	Diffused glass		* One year warranty		
4	4 ft. length, 7,100 lumens			S903	Polycarbonate				
2	2 ft. length, 3,600 lumens			S903D	Diffused polycarbonate				
Optics				Cord options			Finish		
BLANK	Wide (120°)			LP†	LynxPOWER receptacles, factory pre-wired		BLANK		Natural aluminum
N	Narrow (80°)			CD†	Type P cable, 10 ft. (non-armored), ADE 1F series gland pre-wired to fixture		P		Painted (gray, epoxy)
Voltage				TF	Pull wire included in the fixture		WH		Painted (white, epoxy)
/UNV1	100-277 VAC; 108-250 VDC			*All ML3C4WC series Mini-Line LynxPOWER cordsets can be utilized. Refer to accessories section below for part number.					
/UNV34	347-480 VAC			†Cannot be combined with "TF" suffix.					

Accessories (ordered separately)

DP1057MTK	Flush/back mount back plate	VMVL/UNV1 80W 1A KIT	1 amp driver replacement kit 90-277 VAC for 4 ft. linear
DP1050MTK	Ceiling/swivel mount	VMVL/UNV34 80W 1A KIT	1 amp driver replacement kit 347-480 VAC for 4 ft. linear
DP1053MTK	Ceiling/wall mount offset	VMVL/UNV1 80W 0.5A KIT	0.5 amp driver replacement kit 90-277 VAC for 2 ft. linear
DP1054MTK KIT	Ceiling mount bracket and adapter kit	VMVL/UNV34 80W 0.5A KIT	0.5 Amp driver replacement kit 347-480 VAC for 2 ft. linear
DP1052MTK	Offset wall mount	*ML3C4WC060F	6 ft. Mini-Line LynxPOWER cordset
PM KIT 1.25	Pole mount kit, 1.25" conduit	*ML3C4WC120F	12 ft. Mini-Line LynxPOWER cordset
PM KIT 1.5	Pole mount kit, 1.50" conduit	*Additional lengths available. Contact Eaton's Crouse-Hinds customer service for additional options.	
PM KIT 2.0	Pole mount kit, 2.00" conduit		
PEND ORD KIT	Pendant mount kit		
SS KIT	Safety chain kit		

Mounting options and dimensions:

PLL4 (1329.1 / 52.33" length, 68.58 / 2.70" height)

PLL2 (719.6 / 28.33" length, 68.58 / 2.70" height)

Offset wall DP1052MTK

Flush ceiling DP1057MTK

Offset ceiling DP1053MTK

Ceiling/swivel DP1050MTK

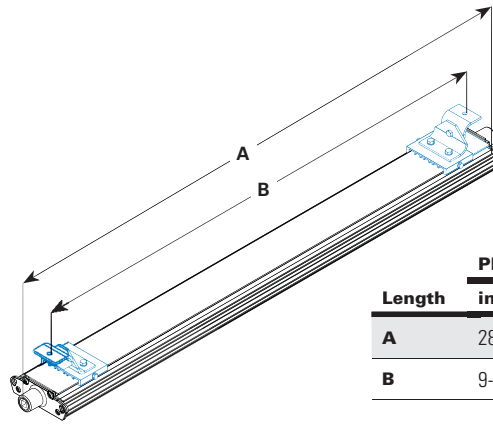
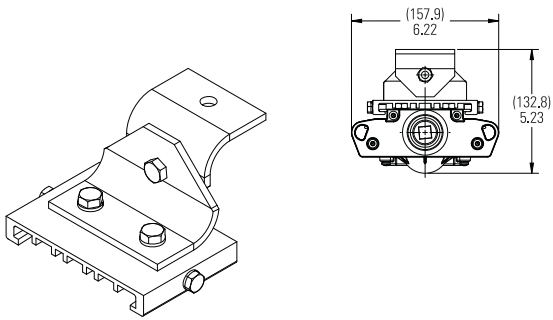
Ceiling and adapter DP1054MTK KIT

Pole mount PM KIT 1.25/1.5/2.0

Pendant mount PEND ORD KIT

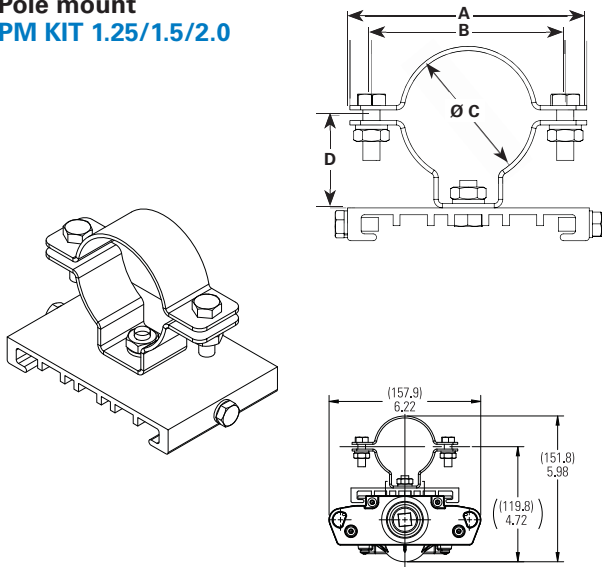
Mounting options

Ceiling/swivel mount DP1050MTK

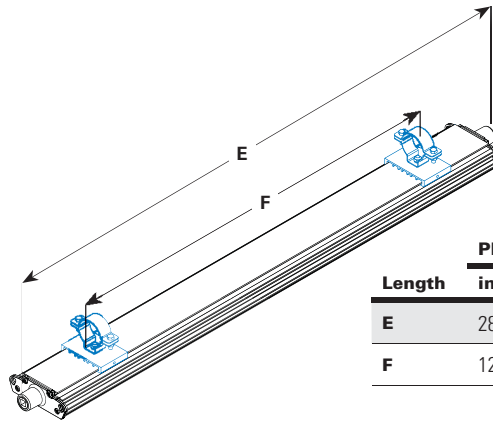


Length	PLL2		PLL4	
	in.	mm.	in.	mm.
A	28.3	720	52.3	1329
B	9-27	222-681	9-51	222-1289

Pole mount PM KIT 1.25/1.5/2.0

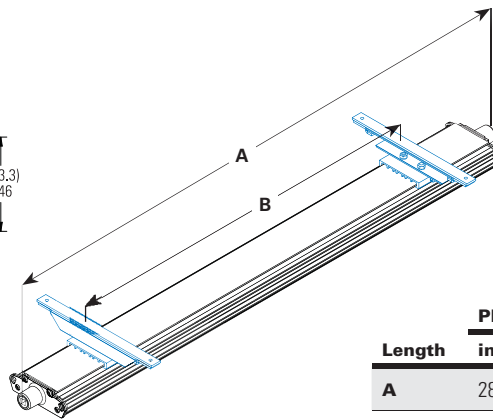
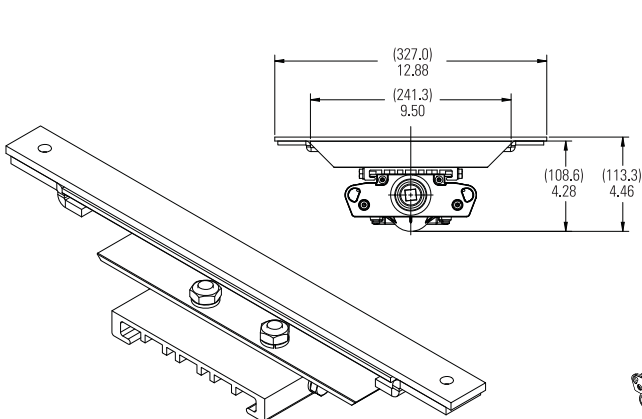


Configuration	ALL MEASUREMENTS IN INCHES			
	A	B	C	D
PM KIT 1.25	4.331	3.543	1.680	1.693
PM KIT 1.5	3.740	2.953	2.000	1.535
PM KIT 2.0	3.386	2.598	2.360	1.378



Length	PLL2		PLL4	
	in.	mm.	in.	mm.
E	28.3	720	52.3	1329
F	12-21	305-533	24-45	610-1143

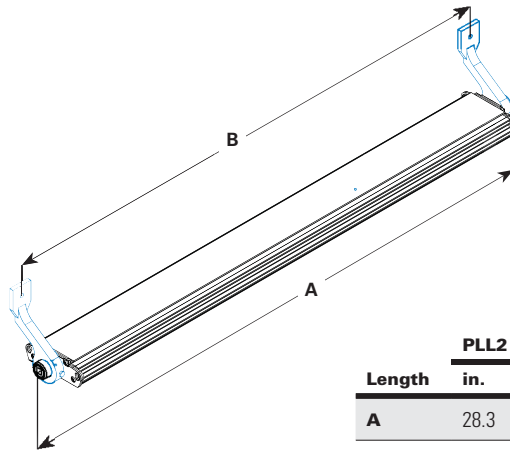
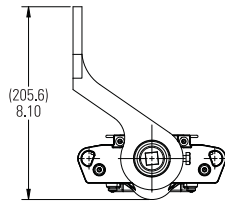
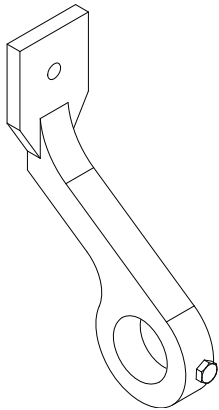
MagnaPro mount DP1054MTK KIT



Length	PLL2		PLL4	
	in.	mm.	in.	mm.
A	28.3	720	52.3	1329
B	12-22	305-559	24-46	610-1168

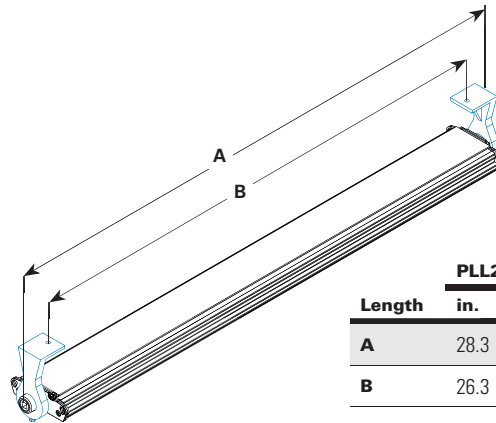
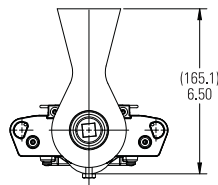
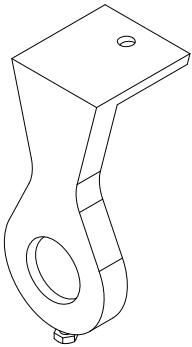
Mounting options

Offset wall DP1052MTK



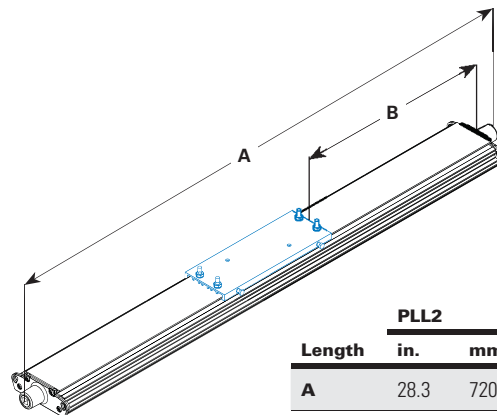
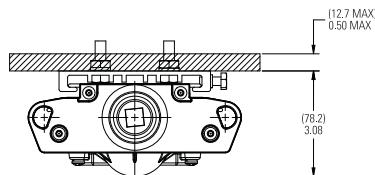
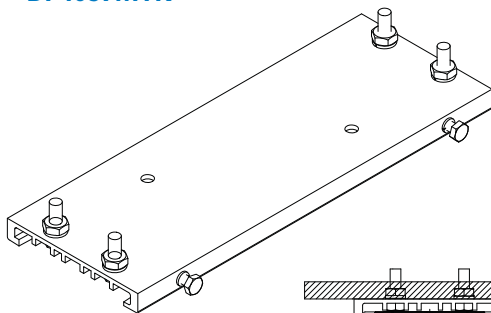
Length	PLL2		PLL4	
	in.	mm.	in.	mm.
A	28.3	720	52.3	1329
B	26.3	669	50.3	1278

Offset ceiling/wall mount DP1053MTK



Length	PLL2		PLL4	
	in.	mm.	in.	mm.
A	28.3	720	52.3	1329
B	26.3	584	47.0	1194

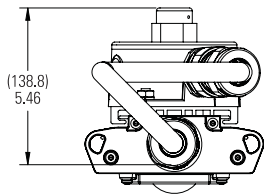
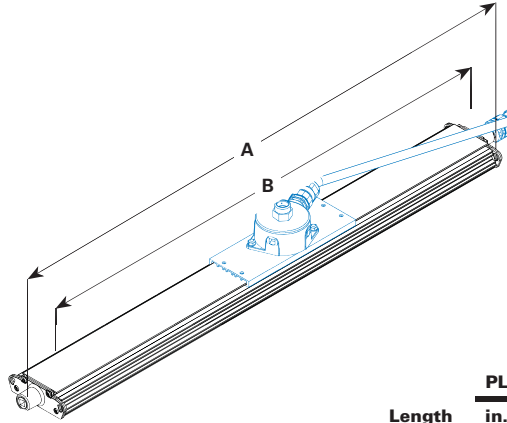
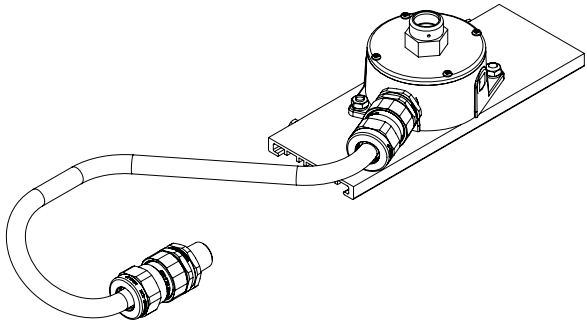
Flush ceiling DP1057MTK



Length	PLL2		PLL4	
	in.	mm.	in.	mm.
A	28.3	720	52.3	1329
B	6.2	157.5	18.2	462

Mounting options

Pendant mount PEND ORD KIT



Length	PLL2		PLL4	
	in.	mm.	in.	mm.
A	31.7	805	55.8	1418
B	28.3	720	52.3	1329
C	4.2	108	16.0	406
D	12.2	310	24.0	610
E	34.9	886	58.9	1495

