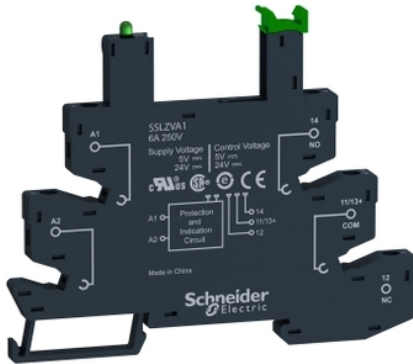


Product data sheet

Characteristics

SSLZRA1

socket equipped with LED and protection circuit, Harmony Solid State Relays, for SSL relays, spring terminals, 5 to 24V DC



Main

Range of Product	Harmony Solid State Relays
Product or Component Type	Socket for SSL1
Device short name	SSLZ
Sale per indivisible quantity	10

Complementary

Contact terminal arrangement	Separate
Product compatibility	Solid state relay SSL NO 24 V DC Solid state relay SSL NO 5 V DC
Shape of pin	Flat
[Ith] conventional free air thermal current	6 A
[Ith] conventional free air thermal current	6 A
[Ue] rated operational voltage	< 250 V DC
Connections - terminals	Spring terminals, 1 x 0.2...1 x 1.5 mm ² AWG 24...AWG 16) solid without cable end Spring terminals, 1 x 0.2...1 x 1.5 mm ² AWG 24...AWG 16) flexible with cable end
Clamping force	10...40 N
Fixing mode	Clip-on 35 mm DIN rail)
Switching voltage	5 V DC 24 V DC
Local signalling	For input status LED (green)
Width	0.24 in (6.2 mm)
Height	3.98 in (101 mm)
Depth	3.09 in (78.6 mm)
Net Weight	0.06 lb(US) (0.0285 kg)
[Uimp] rated impulse withstand voltage	3.6 kV
Overvoltage category	III
Pollution degree	3

Environment

Flame retardance	V0 conforming to UL 94
Standards	IEC 61984
Product Certifications	UL 508[RETURN]CSA C22-2 No 14
Marking	CE
Ambient Air Temperature for Storage	-40...185 °F (-40...85 °C)
Ambient Air Temperature for Operation	-40...158 °F (-40...70 °C)
IP Degree of Protection	IP20
Dielectric strength	2500 V

The information provided in this documentation contains general descriptions and/or technical characteristics of the performance of the products contained herein. This documentation is not intended as a substitute for and is not to be used for determining suitability or reliability of these products for specific user applications. It is the duty of any such user or integrator to perform the appropriate and complete risk analysis, evaluation and testing of the products with respect to the relevant specific application or use thereof. Neither Schneider Electric Industries SAS nor any of its affiliates or subsidiaries shall be responsible or liable for misuse of the information contained herein.

Ordering and shipping details

Category	21127-ZELIO ICE CUBE RELAYS
Discount Schedule	CP2
GTIN	3606480580161
Returnability	No
Country of origin	CN

Packing Units

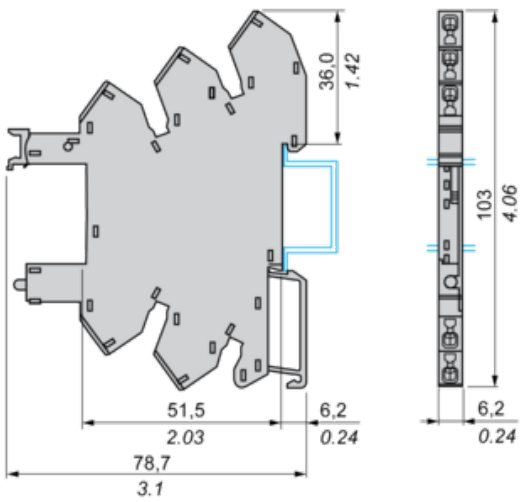
Unit Type of Package 1	PCE
Number of Units in Package 1	1
Package 1 Height	0.24 in (0.6 cm)
Package 1 Width	3.11 in (7.9 cm)
Package 1 Length	3.78 in (9.6 cm)
Package 1 Weight	0.83 oz (23.5 g)
Unit Type of Package 2	BB1
Number of Units in Package 2	10
Package 2 Height	2.80 in (7.1 cm)
Package 2 Width	3.35 in (8.5 cm)
Package 2 Length	4.21 in (10.7 cm)
Package 2 Weight	0.58 lb(US) (0.263 kg)
Unit Type of Package 3	S03
Number of Units in Package 3	300
Package 3 Height	11.81 in (30.0 cm)
Package 3 Width	11.81 in (30.0 cm)
Package 3 Length	15.75 in (40.0 cm)
Package 3 Weight	20.50 lb(US) (9.3 kg)

Offer Sustainability

Sustainable offer status	Green Premium product
California proposition 65	WARNING: This product can expose you to chemicals including: Nickel compounds, which is known to the State of California to cause cancer, and Di-isodecyl phthalate (DIDP), which is known to the State of California to cause birth defects or other reproductive harm. For more information go to www.P65Warnings.ca.gov
REACH Regulation	REACH Declaration
REACH free of SVHC	Yes
EU RoHS Directive	Pro-active compliance (Product out of EU RoHS legal scope) EU RoHS Declaration
Toxic heavy metal free	Yes
Mercury free	Yes
China RoHS Regulation	China RoHS Declaration
RoHS exemption information	Yes
Environmental Disclosure	Product Environmental Profile
Circularity Profile	End Of Life Information

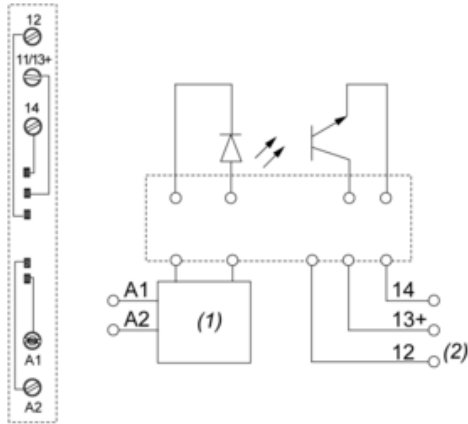
Dimensions

mm
in.



Wiring Diagram

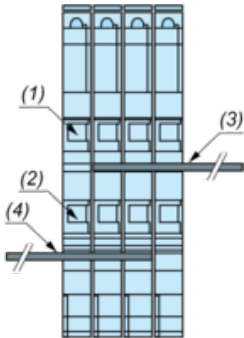
Wiring Diagram for DC Output



(1) Protection circuit

(2) Terminal 12 is not in use for SSL Relay

Example of RSLZ2 Bus Jumper Mounting on Sockets



(1) A1

(2) A2

(3) Bus jumper polarity A1

(4) Bus jumper polarity A2