



Main

| | |
|---------------------------|-------------|
| Range compatibility | Lexium 28 |
| Product or component type | Servo motor |
| Device short name | BCH2 |

Complementary

| | |
|---------------------------------|---|
| Maximum mechanical speed | 3000 rpm |
| [Us] rated supply voltage | 220 V |
| Phase | Three phase Single phase |
| Continuous stall current | 5.62 A |
| Continuous stall torque | 47.71 Lbf.in (5.39 N.m) LXM28... 7 A, 220 V, single phase 47.71 lbf.in (5.39 N.m) LXM28... 7 A, 220 V, three phase |
| Continuous power | 850 W |
| Peak stall torque | 122.14 Lbf.in (13.8 N.m) LXM28... 7 A, 220 V, single phase 122.14 lbf.in (13.8 N.m) LXM28... 7 A, 220 V, three phase |
| Nominal output power | 850 W LXM28... 7 A, 220 V, single phase 850 W LXM28... 7 A, 220 V, three phase |
| Nominal torque | 47.71 Lbf.in (5.39 N.m) LXM28... 7 A, 220 V, single phase 47.71 lbf.in (5.39 N.m) LXM28... 7 A, 220 V, three phase |
| Nominal speed | 1500 rpm LXM28... 7 A, 220 V, single phase 1500 rpm LXM28... 7 A, 220 V, three phase |
| Maximum current Irms | 14.96 A LXM28... 0.85 kW, 220 V |
| Maximum permanent current | 6.29 A |
| Product compatibility | LXM28... servo drive 0.85 kW, 220 V, single phase LXM28... servo drive 0.85 kW, 220 V, three phase |
| Shaft end | Smooth shaft |
| Shaft diameter | 0.87 in (22 mm) |
| Shaft length | 2.17 in (55 mm) |
| Feedback type | 20 bits single turn absolute encoder |
| Holding brake | Without |
| Mounting support | Asian standard flange |
| Motor flange size | 5.12 in (130 mm) |
| Electrical connection | Connector MIL |
| Torque constant | 0.96 N.m/A 68 °F (20 °C) |
| Back emf constant | 58 V/krpm 68 °F (20 °C) |
| Rotor inertia | 13.5 kg.cm ² |
| Stator resistance | 0.34 Ohm 68 °F (20 °C) |
| Stator inductance | 4.5 mH 68 °F (20 °C) |
| Stator electrical time constant | 13.24 ms 68 °F (20 °C) |
| Maximum radial force Fr | 670 N 1500 rpm |
| Maximum axial force Fa | 200 N |
| Brake pull-in power | 19.7 W |

| | |
|---------------------------------------|-----------------------|
| Type of cooling | Natural convection |
| Length | 7.36 in (187 mm) |
| Number of motor stacks | 4 |
| Centring collar diameter | 4.33 in (110 mm) |
| Centring collar depth | 0.31 in (8 mm) |
| Number of mounting holes | 4 |
| Mounting holes diameter | 0.36 in (9.2 mm) |
| Circle diameter of the mounting holes | 5.71 in (145 mm) |
| Distance shaft shoulder-flange | 0.31 in (8 mm) |
| Net Weight | 21.16 lb(US) (9.6 kg) |

Environment

| | |
|---------------------------------------|---------------------------------|
| IP degree of protection | IP54 IM B5, IM V1 IP50 IM V3 |
| Ambient air temperature for operation | -4...104 °F (-20...40 °C) |

Ordering and shipping details

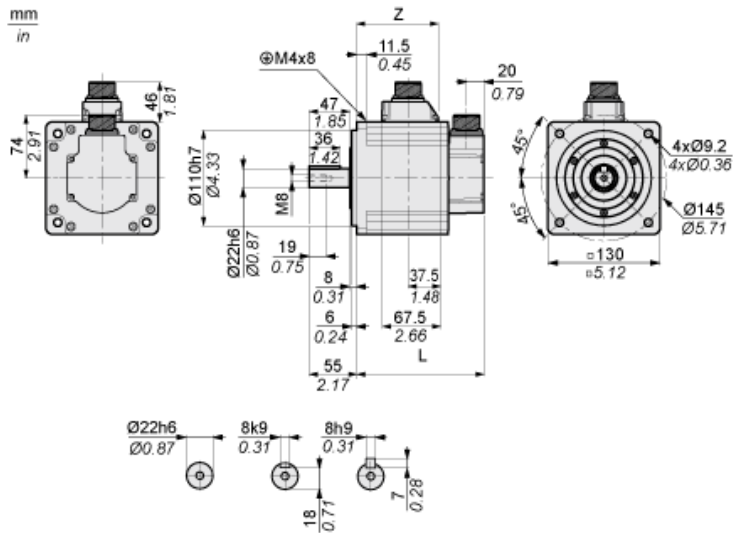
| | |
|-----------------------|-----------------------------|
| Category | 18281 - LEXIUM 23/28 MOTORS |
| Discount Schedule | PC53 |
| GTIN | 03606480733888 |
| Nbr. of units in pkg. | 1 |
| Package weight(Lbs) | 22 lb(US) (9.98 kg) |
| Returnability | No |
| Country of origin | CN |

Packing Units

| | |
|------------------------|-------------------|
| Unit Type of Package 1 | PCE |
| Package 1 Height | 7.13 in (18.1 cm) |
| Package 1 width | 9.06 in (23 cm) |
| Package 1 Length | 14.17 in (36 cm) |

Dimensions

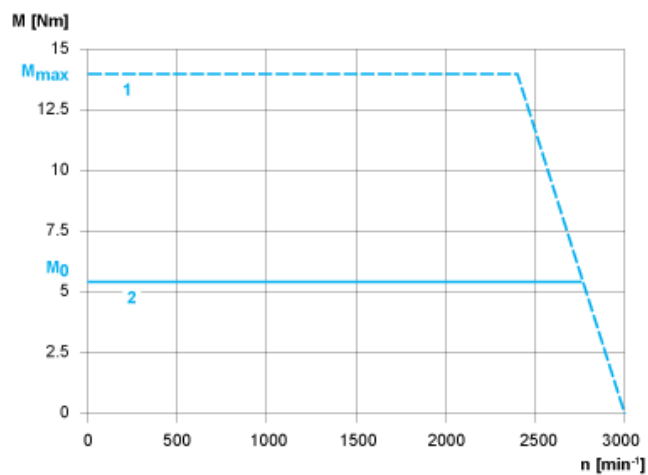
Dimensions of Motor



| | mm | in. |
|---------------------------|-------|------|
| L (without holding brake) | 187 | 7.36 |
| L (with holding brake) | 216 | 8.5 |
| Z | 134.5 | 5.30 |

Torque/Speed Curves with 230 V Single/Three Phase Supply Voltage

Servo Motor with LXM28AU10●●● Servo Drive



- 1 : Peak torque
- 2 : Continuous torque