



Application illustration only, subject lamps not used in photo.



Type B Double Ended LED Tubes (Ballast Bypass) Glass 2'- 4'

Convert your existing linear fluorescent fixture to LED lighting without needing a comprehensive reinstall. LED tubes are ideal for those seeking high energy savings with minimal installation time. The existing fixture is wired to bypass the ballast, which further reduces energy use and eliminates the need to check ballast compatibility. Additional maintenance savings are realized by removing costs associated with replacing ballasts.

FEATURES

- 2' - 4' T8 Tubes
- 14 Watts
- 1700-1850 lumens
- Available in 3000K, 3500K, 4000K and 5000K
- 50,000 hour rated life
- Open or enclosed fixtures
- Ambient operating temperature -4°F to 113°F
- Non-dimmable
- Internal thermal fuse protects against mis-applications (lamp will fail safely if installed with ballast)
- 5 year limited warranty

BENEFITS

- Fast and easy LED upgrade
- Low energy LFL replacement
- 66% longer life than LFL (50,000 vs. 30,000 hours)
- Better quality of light
-instant on
- Fully illuminates fixture
- >270° light distribution
- Easy disposal, non-hazardous waste
- Simply wire to bypass ballast-eliminating future ballast replacement costs
- No socket replacement necessary-use with shunted or non-shunted sockets

RECOMMENDATIONS

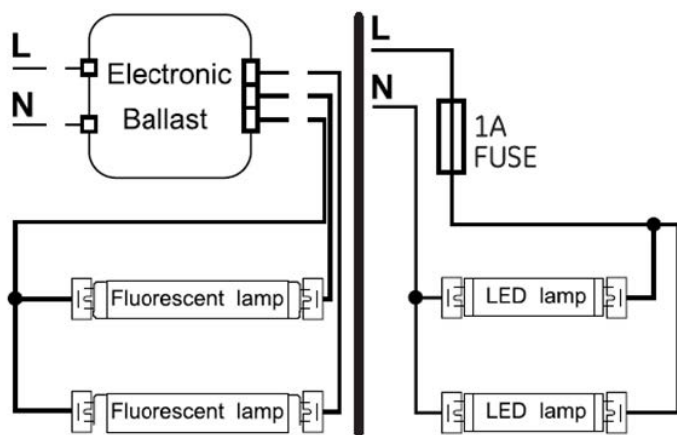
- Use In-line fuse kit to protect against future re-lamp misapplications
- In-line fuse available for ordering separately

GE LED Tubes Type B Double Ended

Base Type	Type	Watts	Order Code	Description	Volts	Case Qty**	MOL (In)	Lumens Initial	Initial Color Temp	CRI	Wattage Replacement	*Rated Life L70 (Hrs)	Power Factor	DLC®	UL	#Location Rating	Additional Information	
Ballast Bypass- 4 ft LED Glass Tubes																		
T8	G13	14	39493	LED14BDT8/G4/830	120-277	20	48	1700	3000K	80	32	50,000	>.9	Yes	Yes	Damp	Double Ended Power	
	G13	14	39494	LED14BDT8/G4/835	120-277	20	48	1750	3500K	80	32	50,000	>.9	Yes	Yes	Damp	Double Ended Power	
	G13	14	39498	LED14BDT8/G4/840	120-277	20	48	1800	4000K	80	32	50,000	>.9	Yes	Yes	Damp	Double Ended Power	
	G13	14	39519	LED14BDT8/G4/850	120-277	20	48	1850	5000K	80	32	50,000	>.9	Yes	Yes	Damp	Double Ended Power	
Ballast Bypass- 3ft LED Glass Tubes																		
T8	G13	12	39525	LED12BDT8/G3/830	120-277	20	36	1450	3000	80	25	50,000	>.9	-	Yes	Damp	Coming Q1 2019	
	G13	12	39547	LED12BDT8/G3/835	120-277	20	36	1500	3500	80	25	50,000	>.9	-	Yes	Damp	Coming Q1 2019	
	G13	12	39554	LED12BDT8/G3/840	120-277	20	36	1550	4000	80	25	50,000	>.9	-	Yes	Damp	Coming Q1 2019	
	G13	12	39557	LED12BDT8/G3/850	120-277	20	36	1550	5000	80	25	50,000	>.9	-	Yes	Damp	Coming Q1 2019	
Ballast Bypass- 2 ft LED Glass Tubes																		
T8	G13	9	39558	LED9BDT8/G2/830	120-277	20	24	1100	3000	80	17	50,000	>.9	-	Yes	Damp	Coming Q1 2019	
	G13	9	39560	LED9BDT8/G2/835	120-277	20	24	1100	3500	80	17	50,000	>.9	-	Yes	Damp	Coming Q1 2019	
	G13	9	39561	LED9BDT8/G2/840	120-277	20	24	1150	4000	80	17	50,000	>.9	-	Yes	Damp	Coming Q1 2019	
	G13	9	39563	LED9BDT8/G2/850	120-277	20	24	1200	5000	80	17	50,000	>.9	-	Yes	Damp	Coming Q1 2019	

In-Line Fuse

Order Code	Description	Kit Contents
39017	BT8-1AFUSEKIT	1 Fuse (1A), 1 Fuse Holder



To learn more about saving money and energy, go to: www.led.com



current
powered by GE

www.led.com

GE and the GE Monogram are trademarks of the General Electric Company. All other trademarks are the property of their respective owners. Information provided is subject to change without notice. All values are design or typical values when measured under laboratory conditions. GE Lighting and GE Lighting Solutions, LLC are businesses of the General Electric Company. © 2019 GE.

LEDL063 (Rev 01/04/19)

