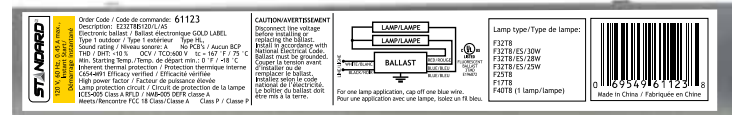


## ORDERING INFORMATION

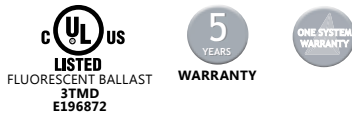
Order code: 61123  
 Description: E232T8IS120/L/AS  
 UPC: 69549611238



## SPECIFICATIONS

**Ballast type:** Electronic  
**Starting method:** Instant Start (IS)  
**Lamp connection:** Parallel  
**Input voltage (V):** 120V  
**Input frequency (Hz):** 60HZ  
**Max. case temperature:** 75 °C  
**Thermal protection:** Class P

**Type:** 1 Outdoor  
**Contains PCBs:** No  
**Sound rating:** A  
**Open current voltage (OCV) (V):** 600  
**Inherent thermal protection:** Yes  
**Lamp protection circuit:** Yes  
**ICES-005 Compliant:** Class A RFLD  
**Auto-restrike:** Yes



Lamp type	Number of lamps	Rated lamp watts	Min. start temp. (°F / °C)	Input current (A)	Input power (ANSI watts)	Ballast factor	Max THD (%)	Power factor	Max. lamp current crest factor	B.E.F.
<b>120 VOLTS</b>										
F32T8 (32W)	2	32	0/-18	0.45	55	0.82	20	0.98	1.7	1.49
F32T8/ES (30W)	2	30	0/-18	0.42	49	0.78	20	0.98	1.7	1.59
F32T8/ES (28W)	2	28	0/-18	0.39	45	0.79	20	0.97	1.7	1.76
F32T8/ES (25W)	2	25	0/-18	0.38	44	0.79	20	0.97	1.7	1.80
F25T8 (25W)	2	25	0/-18	0.38	49	0.90	25	0.97	1.7	1.84
LED22T8 (22W)	2	22	0/-18	0.31	37	-	10	0.99	-	-
LED18T8 (18W)	2	18	0/-18	0.25	30	-	10	1.00	-	-
F32T8 (32W)	1	32	0/-18	0.31	38	1.11	30	0.92	1.7	2.92
F32T8/ES (30W)	1	30	0/-18	0.29	31	0.94	33	0.90	1.7	3.03
F32T8/ES (28W)	1	28	0/-18	0.27	29	0.91	35	0.87	1.7	3.14
F32T8/ES (25W)	1	25	0/-18	0.27	28	0.98	36	0.86	1.7	3.50
F40T8 (40W)	1	40	32/0	0.48	45	1.00	30	0.92	1.7	2.22
LED22T8 (22W)	1	22	0/-18	0.20	23	-	10	1.00	-	-
LED18T8 (18W)	1	18	0/-18	0.16	19	-	10	0.99	-	-

### WARRANTY:

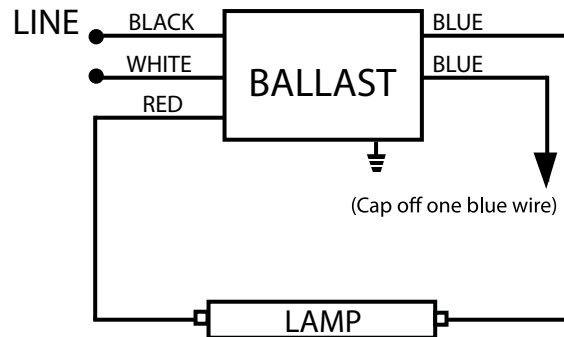
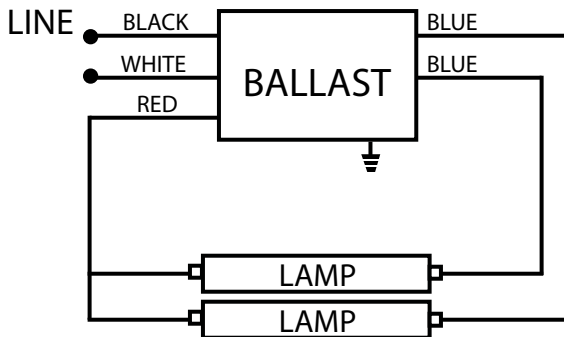
Ballast warranty of 5 years for electronic ballast 75 °C. Ballast warranty of 3 years for electronic ballast 90 °C. For more information visit our website.

Data is based upon tests performed in a controlled environment and representative of relative performance. Actual performance can vary depending on operating conditions. Specifications are subject to change without notice.  
 March 9, 2015

## ORDERING INFORMATION

Order code: 61123  
 Description: E232T8IS120/L/AS  
 UPC: 69549611238

## WIRING DIAGRAM

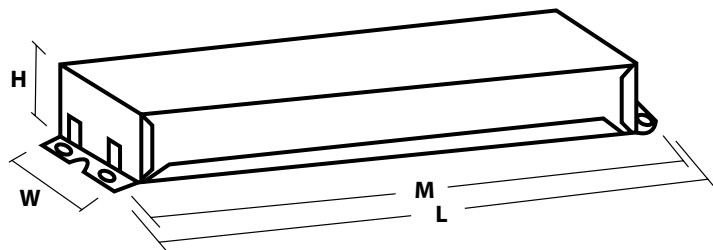


## LEADS LENGTH

Black	25.00" (63.50 cm)
White	25.00" (63.50 cm)
Blue	46.00" (116.84 cm)
Red	31.00" (78.74 cm)

## BALLAST DIMENSIONS

Length (L):	9.50" (24.10 cm)
Width (W):	1.30" (3.30 cm)
Height (H):	1.00" (2.54 cm)
Mounting (M):	8.90" (22.60 cm)



## WARRANTY:

Ballast warranty of 5 years for electronic ballast 75 °C. Ballast warranty of 3 years for electronic ballast 90 °C.  
 For more information visit our website.

Data is based upon tests performed in a controlled environment and representative of relative performance.  
 Actual performance can vary depending on operating conditions. Specifications are subject to change without notice.  
 March 9, 2015