



Main

Range of Product	Modicon Momentum automation platform
Product or Component Type	Discrete triac I/O base AC
Group of channels	1 group of 10 inputs 1 group of 8 outputs
Discrete input number	10 IEC 1131-2 Type 2
Discrete input logic	Positive
Discrete input voltage	120 V AC
Discrete output number	8
Discrete output type	Triac
Discrete output voltage	120...132 V DC
Discrete output logic	Positive
Protective treatment	TC

Complementary

[Us] rated supply voltage	120 V AC
Input voltage limits	74...132 V
Network Frequency	47...63 Hz
Voltage state 0 guaranteed	< 20 V
Voltage state 1 guaranteed	> 74 V
Current state 0 guaranteed	<= 2.6 mA
Current state 1 guaranteed	>= 6 mA
Input resistance	4 kOhm
Discrete output current	2 A per group 4 A per module 30 mA...0.5 A per point
Maximum leakage current	1.3 mA 120 V output circuit)
Maximum voltage drop	<1.5 V 0.5 A at state 1 output circuit
Operating rate	3000 cyc/h 0.5 A inductive
Response time	1/2 x 1/f from state 0 to state 1 on input 1/2 x 1/f from state 0 to state 1 on output 1/2 x 1/f from state 1 to state 0 on input 1/2 x 1/f from state 1 to state 0 on output
Isolation between channels and bus	1780 V AC
Power dissipation	<= 8 W 6 W
Protection Type	Internal 2 x 2.5 A slow-blow fuses
Marking	CE
Terminals description PLC n°1	(8)IN_DIS#8 (5)IN_DIS#5 (9)IN_DIS#9 (4)IN_DIS#4 (10)IN_DIS#10 (3)IN_DIS#3 (L1)PW (N)PW (6)IN_DIS#6 (7)IN_DIS#7 (1)IN_DIS#1 TB (2)IN_DIS#2

The information provided in this documentation contains general descriptions and/or technical characteristics of the performance of the products contained herein. This documentation is not intended as a substitute for and is not to be used for determining suitability or reliability of these products for specific user applications. It is the duty of any such user or integrator to perform the appropriate and complete risk analysis, evaluation and testing of the products with respect to the relevant specific application or use thereof. Neither Schneider Electric Industries SAS nor any of its affiliates or subsidiaries shall be responsible or liable for misuse of the information contained herein.

Terminals description PLC n°2	(3)OUT_DIS#3 (6)OUT_DIS#6 (1N)PW (2)OUT_DIS#2 (1L1)PW (8)OUT_DIS#8 (7)OUT_DIS#7 (1)OUT_DIS#1 (4)OUT_DIS#4 (5)OUT_DIS#5 TB_1
Current consumption	160 mA 120 V AC
Depth	1.87 in (47.5 mm)
Height	5.57 in (141.5 mm)
Width	4.92 in (125 mm)
Net Weight	0.49 lb(US) (0.22 kg)

Environment

Product Certifications	UL[RETURN]CSA
Resistance to electrostatic discharge	4 kV contact IEC 801-2 8 kV on air IEC 801-2
Resistance to electromagnetic fields	9.14 V/m (10 V/m) 80...1000 MHz IEC 801-3
Ambient Air Temperature for Operation	32...140 °F (0...60 °C)
Ambient Air Temperature for Storage	-40...185 °F (-40...85 °C)
Relative Humidity	95 % without condensation
Operating altitude	<= 16404.2 ft (5000 m)

Ordering and shipping details

Category	18206-MOMENTUM PROCESSORS,I/O BASES,CONN.
Discount Schedule	PC31
GTIN	3595860019271
Returnability	No
Country of origin	ID

Packing Units

Unit Type of Package 1	PCE
Number of Units in Package 1	1
Package 1 Height	3.54 in (9 cm)
Package 1 Width	7.28 in (18.5 cm)
Package 1 Length	10.04 in (25.5 cm)
Package 1 Weight	17.07 oz (484 g)
Unit Type of Package 2	S02
Number of Units in Package 2	6
Package 2 Height	5.91 in (15 cm)
Package 2 Width	11.81 in (30 cm)
Package 2 Length	15.75 in (40 cm)
Package 2 Weight	6.40 lb(US) (2.904 kg)
Unit Type of Package 3	S04
Number of Units in Package 3	12
Package 3 Height	11.81 in (30 cm)
Package 3 Width	15.75 in (40 cm)
Package 3 Length	23.62 in (60 cm)
Package 3 Weight	14.37 lb(US) (6.52 kg)

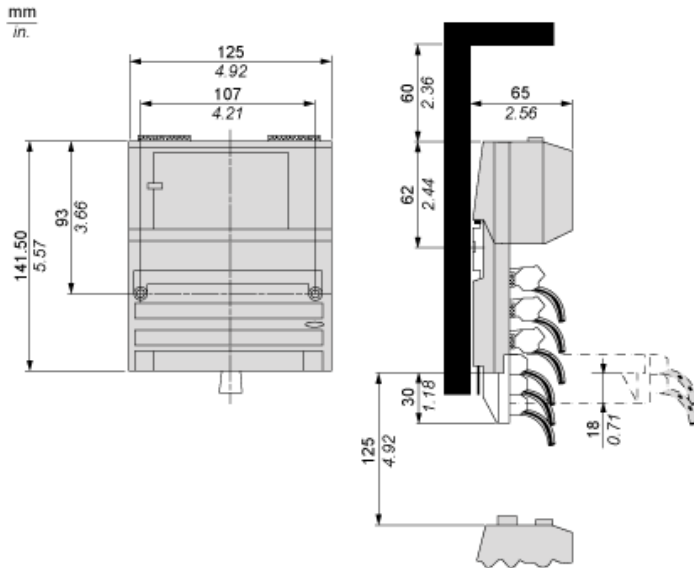
Offer Sustainability

Sustainable offer status	Green Premium product
California proposition 65	WARNING: This product can expose you to chemicals including: Lead and lead compounds, which is known to the State of California to cause cancer and birth defects or other reproductive harm. For more information go to www.P65Warnings.ca.gov
REACH Regulation	REACH Declaration
EU RoHS Directive	Pro-active compliance (Product out of EU RoHS legal scope)
Mercury free	Yes
China RoHS Regulation	China RoHS Declaration
RoHS exemption information	Yes
Environmental Disclosure	Product Environmental Profile
Circularity Profile	End Of Life Information
WEEE	The product must be disposed on European Union markets following specific waste collection and never end up in rubbish bins.

Contractual warranty

Warranty	18 months
----------	-----------

Standard Adapter on a Discrete VAC Base

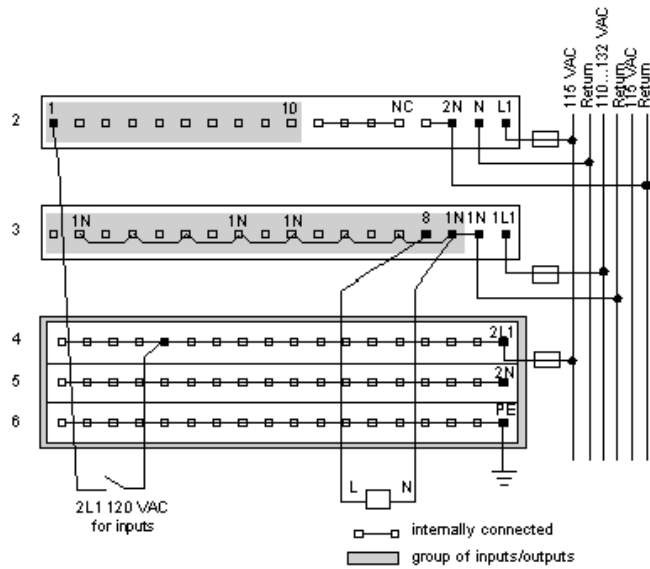


Mounting on a Wall

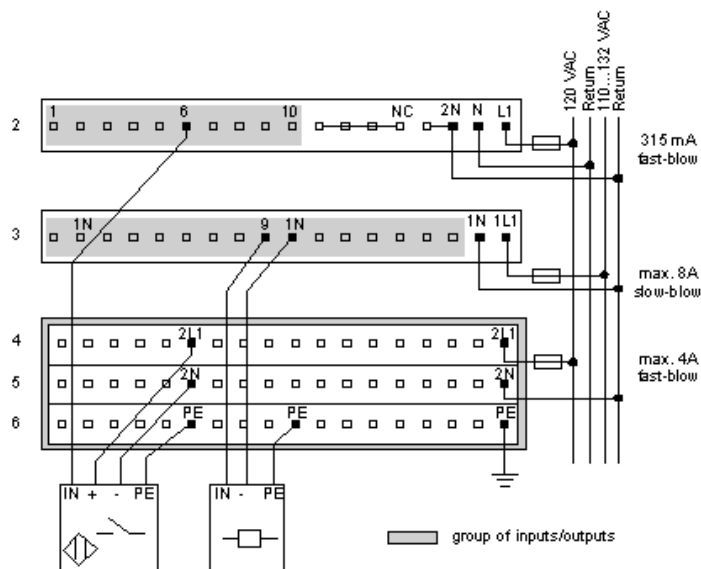


External Wiring Diagrams

2-Wire Sensor with a 2-Wire Actuator



4-Wire Sensor with a 3-Wire Actuator



Internal Pin Connections

Rows 1 through 3 show the internal connections between terminals on the I/O base. Rows 4 through 6 show the internal connections on the optional busbar.

