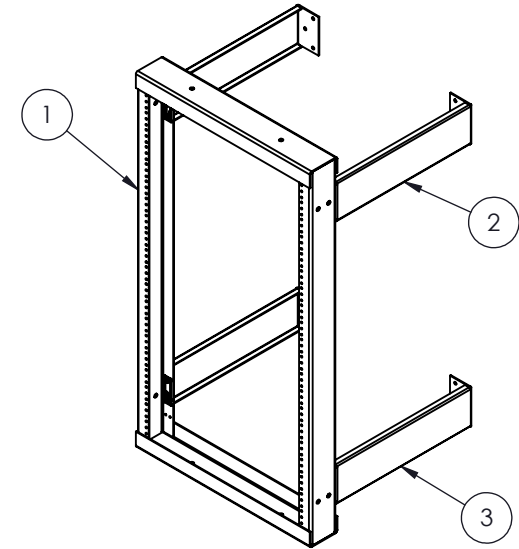
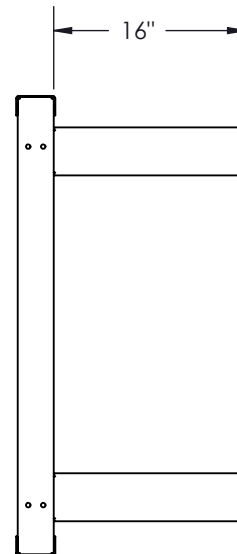
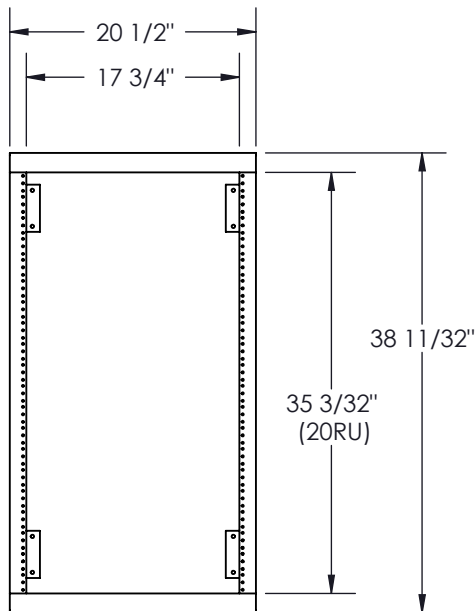
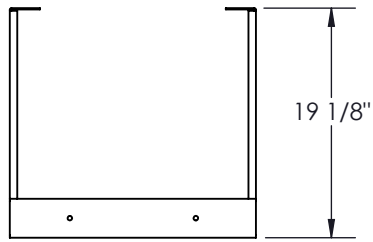


NO.	NOTE	DESCRIPTION	QTY
1	1305029548	FRAME (19 x 35)	1
2	1646 - 16"	TOP SUPPORT	2
3	1305029501 - 16"	BOTTOM SUPPORT	2



REV.	DESCRIPTION	DATE	APPR.
A	NON WELDED SUPPORTS WAS WELDED	2011-06-09	E.D.
RÉVISIONS			



PROPRIETARY AND CONFIDENTIAL
THE INFORMATION CONTAINED IN THIS DRAWING IS THE SOLE PROPERTY OF A.I.G. ELECTRON METAL INC. ANY REPRODUCTION IN PART OR AS A WHOLE WITHOUT THE WRITTEN PERMISSION OF A.I.G. ELECTRON METAL INC IS PROHIBITED.

CONFIDENTIEL
L'INFORMATION CONTENUE DANS CE DESSIN EST L'ENTIERE PROPRIÉTÉ D'ELECTRON METAL A.I.G. INC. TOUTE REPRODUCTION PARTIELLE OU EXHAUSTIVE SANS PERMISSION ÉCRITE D'ELECTRON METAL A.I.G. INC. EST INTERDITE.

DRAWN BY: S.D.		Title: WALL MOUNT RACK (19 x 35) x 16			
CHECKED BY: E.D.		PROJECT: WallMount\Racks\Standard		FILE: RackMural19x35x16_1305025281_Eng	
PART NO.:	DRAWING NO.:	REV.:	SCALE:	DATE:	SHEET:
WMRFIX-192016	1305025281	A	1:16	2008-05-15	1 / 1