



Main

Accessory / separate part category	Cabling accessory
Accessory / separate part type	Pre-wired connectors
Series name	General purpose

Complementary

Electrical connection	Elbowed female connector M12, 5 pins (included earth pin)
Cable connector fixing	Screw-on
Collar material	Metal
Status LED	Without
Cable length	16.40 ft (5 m)
Cable outer diameter	0.23 in (5.9 mm)
Cable composition	5 x 0.34 mm ²
Wire insulation material	PUR
[Ue] rated operational voltage	60 V AC 75 V DC
[In] rated current	4 A
Contact resistance	5000 µOhm
Minimum insulating resistance	1 GΩ
Net weight	0.60 lb(US) (0.27 kg)

Environment

IP degree of protection	IP69K IP65 IP67
Product certifications	CULus
Ambient air temperature for operation	-40...176 °F (-40...80 °C) static 23...176 °F (-5...80 °C) flexing

Ambient air temperature for storage	-40...176 °F (-40...80 °C)
-------------------------------------	----------------------------

Packing Units

Package 1 Weight	0.41 lb(US) (0.188 kg)
Package 1 Height	0.300 dm
Package 1 width	2.000 dm
Package 1 Length	2.000 dm

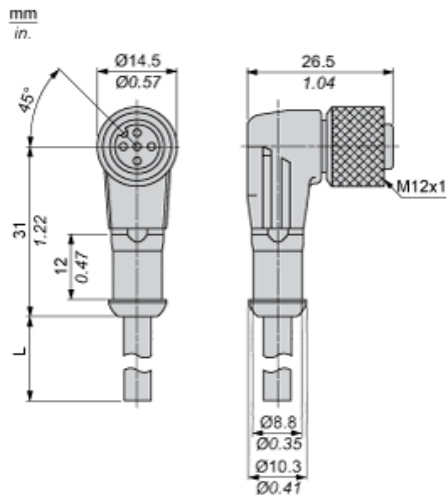
Offer Sustainability

Sustainable offer status	Green Premium product
REACH Regulation	REACH Declaration
EU RoHS Directive	Pro-active compliance (Product out of EU RoHS legal scope) EU RoHS Declaration
Mercury free	Yes
RoHS exemption information	Yes
Environmental Disclosure	Product Environmental Profile
Circularity Profile	End of Life Information

Contractual warranty

Warranty	18 months
----------	-----------

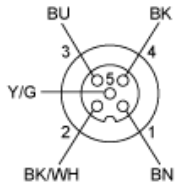
Dimensions



L : Length of cable

Connections and Schemes

Connectors



BU : Blue
BN : Brown
BK : Black
Y/G : Yellow / Green
BK/WH : Black / White