



### Main

Range	TeSys
Range of Product	TeSys F
Product or Component Type	Contacteur
Device short name	LC1F
Contacteur application	Resistive load Motor control
Utilisation category	AC-3 AC-4 AC-1
Poles description	3P
[Ue] rated operational voltage	<= 1000 V AC 50/60 Hz <= 460 V DC
[Uc] control circuit voltage	48 V DC
[Ie] rated operational current	500 A (at <104 °F (40 °C)) at <= 440 V AC AC-1 400 A (at <131 °F (55 °C)) at <= 440 V AC AC-3

### Complementary

[Uimp] rated impulse withstand voltage	8 kV
[Ith] conventional free air thermal current	500 A (at 104 °F (40 °C))
Rated breaking capacity	3200 A conforming to IEC 60947-4-1
[Icw] rated short-time withstand current	3600 A 104 °F (40 °C) - 10 s 2400 A 104 °F (40 °C) - 30 s 1700 A 104 °F (40 °C) - 1 min 1200 A 104 °F (40 °C) - 3 min 1000 A 104 °F (40 °C) - 10 min
Associated fuse rating	400 A aM at <= 440 V 500 A gG at <= 440 V
Average impedance	0.26 mOhm - Ith 500 A 50 Hz
[Ui] rated insulation voltage	1000 V IEC 60947-4-1 1500 V VDE 0110 group C
Power dissipation per pole	65 W AC-1 42 W AC-3
Overvoltage category	III
Power pole contact composition	3 NO
Motor power kW	75 KW at 400 V AC 50/60 Hz (AC-4) 200 KW at 380...400 V AC 50/60 Hz (AC-3) 220 KW at 415 V AC 50/60 Hz (AC-3) 250 KW at 440 V AC 50/60 Hz (AC-3) 257 KW at 500 V AC 50/60 Hz (AC-3) 280 KW at 660...690 V AC 50/60 Hz (AC-3) 185 KW at 1000 V AC 50/60 Hz (AC-3) 110 kW at 220...230 V AC 50/60 Hz (AC-3)
Control circuit voltage limits	Operational 0.85...1.1 U <sub>c</sub> 131 °F (55 °C)) Drop-out 0.2...0.35 U <sub>c</sub> 131 °F (55 °C))
Mechanical durability	10 Mcycles
Inrush power in W	1000 W 68 °F (20 °C))
Hold-in power consumption in W	6 W 68 °F (20 °C)
Maximum operating rate	2400 cyc/h 131 °F (55 °C)
Operating time	50...60 ms closing 45...60 ms opening

The information provided in this documentation contains general descriptions and/or technical characteristics of the performance of the products contained herein. This documentation is not intended as a substitute for and is not to be used for determining suitability or reliability of these products for specific user applications. It is the duty of any such user or integrator to perform the appropriate and complete risk analysis, evaluation and testing of the products with respect to the relevant specific application or use thereof. Neither Schneider Electric Industries SAS nor any of its affiliates or subsidiaries shall be responsible or liable for misuse of the information contained herein.

Connections - terminals	Control circuit screw clamp terminals 1 0.00...0.01 in <sup>2</sup> (1...4 mm <sup>2</sup> )flexible without cable end Control circuit screw clamp terminals 2 0.00...0.01 in <sup>2</sup> (1...4 mm <sup>2</sup> )flexible without cable end Control circuit screw clamp terminals 1 0.00...0.01 in <sup>2</sup> (1...4 mm <sup>2</sup> )flexible with cable end Control circuit screw clamp terminals 2 0.00...0.00 in <sup>2</sup> (1...2.5 mm <sup>2</sup> )flexible with cable end Control circuit screw clamp terminals 1 0.00...0.01 in <sup>2</sup> (1...4 mm <sup>2</sup> )solid without cable end Control circuit screw clamp terminals 2 0.00...0.01 in <sup>2</sup> (1...4 mm <sup>2</sup> )solid without cable end Power circuit bar 2 30 x 5 mm Power circuit lugs-ring terminals 2 0.23 in <sup>2</sup> (150 mm <sup>2</sup> ) Power circuit bolted connection
Tightening torque	Control circuit 10.62 lbf.in (1.2 N.m) Power circuit 309.78 lbf.in (35 N.m)
Mounting Support	Plate
Heat dissipation	6 W
Motor power range	110...220 KW 480...500 V 3 phase 110...220 KW 380...440 V 3 phase 110...220 KW 200...240 V 3 phase 250...500 kW 480...500 V 3 phase
Motor starter type	Direct on-line contactor
Contactor coil voltage	48 V DC standard
Standards	JIS C8201-4-1 EN 60947-1 EN 60947-4-1 IEC 60947-1 IEC 60947-4-1
Product Certifications	DNV[RETURN]LROS (Lloyds register of shipping) [RETURN]ABS[RETURN]RMRoS[RETURN]RINA[RETURN]CB[RETURN]BV[RETURN]CSA[RET
Compatibility code	LC1F
Control circuit type	DC standard

## Environment

IP degree of protection	IP20 front face with shrouds IEC 60529 IP20 front face with shrouds VDE 0106
Protective treatment	TH
Ambient Air Temperature for Operation	23...131 °F (-5...55 °C)
Ambient Air Temperature for Storage	-76...176 °F (-60...80 °C)
Permissible ambient air temperature around the device	-40...158 °F (-40...70 °C)
Height	8.11 in (206 mm)
Width	8.39 in (213 mm)
Depth	8.62 in (219 mm)
Operating altitude	9842.52 ft (3000 m) without derating
Net Weight	20.06 lb(US) (9.1 kg)

## Ordering and shipping details

Category	22331-CTR,F-LINE,DC,OPEN,NONREV
Discount Schedule	I12
GTIN	3389118095007
Returnability	No
Country of origin	CZ

## Packing Units

Unit Type of Package 1	PCE
Number of Units in Package 1	1
Package 1 Height	10.04 in (25.5 cm)
Package 1 Width	9.45 in (24.0 cm)
Package 1 Length	11.81 in (30.0 cm)
Package 1 Weight	20.83 lb(US) (9.45 kg)

## Offer Sustainability

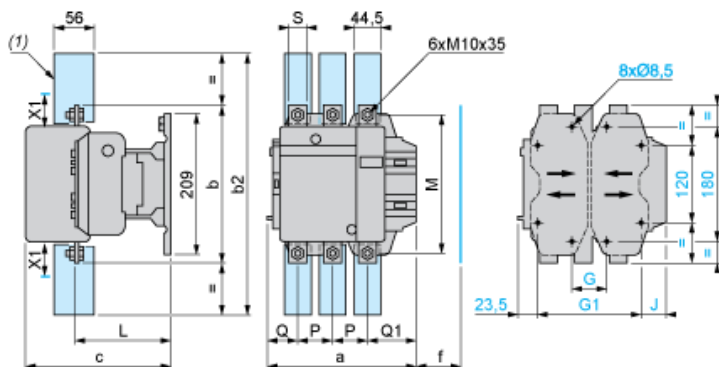
Sustainable offer status	Green Premium product
California proposition 65	WARNING: This product can expose you to chemicals including: Lead and lead compounds, which is known to the State of California to cause cancer and birth defects or other reproductive harm. For more information go to <a href="http://www.P65Warnings.ca.gov">www.P65Warnings.ca.gov</a>
REACH Regulation	<a href="#">REACH Declaration</a>
EU RoHS Directive	Compliant with Exemptions
Mercury free	Yes
China RoHS Regulation	<a href="#">China RoHS Declaration</a>
RoHS exemption information	<a href="#">Yes</a>
Environmental Disclosure	<a href="#">Product Environmental Profile</a>
Circularity Profile	<a href="#">End Of Life Information</a>
WEEE	The product must be disposed on European Union markets following specific waste collection and never end up in rubbish bins.

## Contractual warranty

Warranty	18 months
----------	-----------

Dimensions and Drawings

LC1 F400 and F500



(1) Power terminal protection shroud

NOTE: X1 (mm) = Minimum electrical clearance according to operating voltage and breaking capacity.

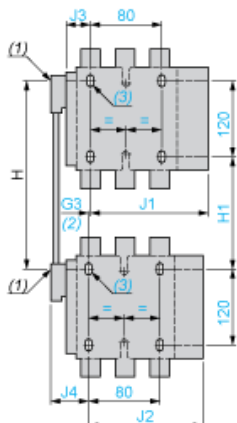
LC1	200...500 V	600...1000 V
F400	15	20
F500	15	20

LC1		a	b	b2	c	f	G supplied	G min.	G max.	G1 supplied	G1 min.	G1 max.	J	L	M	P	Q	Q1	S
F400	2P	213	206	375	219	146	80	66	102	170	156	192	19.5	145	181	48	69	96	25
	3P	213	206	375	219	146	80	66	102	170	156	192	19.5	145	181	48	43	74	25
	4P	261	206	375	219	146	80	66	150	170	156	240	67.5	145	181	48	43	74	25
F500	2P	233	238	400	232	150	80	66	120	170	156	210	39.5	146	208	55	76	102	30
	3P	233	238	400	232	150	80	66	120	170	156	210	39.5	146	208	55	46	77	30
	4P	288	238	400	232	150	140	66	175	230	156	265	34.5	146	208	55	46	77	30

TeSys F reversing contactors and changeover contactor pairs Vertically mounted

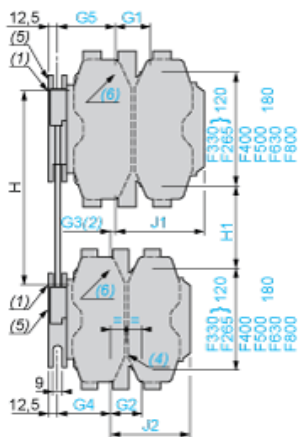
NOTE: For customer assembly, with mechanical interlock (MI) LA9 F, fixing recommended on AM1 EC uprights (please consult your Regional Sales Office). 2 x LC1 identical or different ratings (LC1 F115 to F630 and F800).

Assembly A

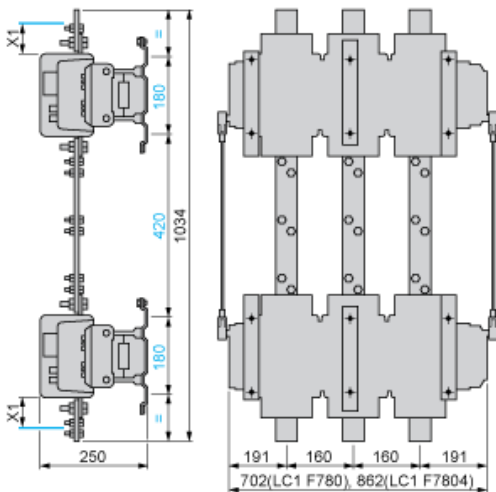


- (1) Mechanical interlock shaft.
- (2) For assembly of contactors of different ratings only.
- (3) 4 x Ø6.5 for LC1 F115 to F225.





(6) 4 x Ø8.5 for LC1 F400, F500 or 4 x Ø10.5 for LC1 F630 and F800.



(7) Only 3P for F800.

(8) In this case, G4 is greater than G5.

Assembly C<sup>(7)</sup>

	G1 3P	G1 4P	G2 3P	G2 4P	G3 3P	G3 4P	G4 3P	G4 4P	G5 3P	G5 4P
LA9 FH4H	96	96	96	96	0	0	60	83	60	83
LA9 FJ4H	80	80	96	96	23	0	60	83	83	83
LA9 FK4H	80	140	96	96	23	0	60	83	83	83
LA9 FL4H	180	240	96	96	14	g <sup>(8)</sup>	60	83	74	74
LA9 FJ4J	80	80	80	80	0	0	83	83	83	83
LA9 FK4J	80	140	80	80	0	0	83	83	83	83
LA9 FL4J	180	240	80	80	g <sup>(8)</sup>	g <sup>(8)</sup>	83	83	74	74
LA9 FK4K	80	140	80	140	0	0	83	83	83	83
LA9 FL4K	180	240	80	140	g <sup>(8)</sup>	g <sup>(8)</sup>	83	83	74	74
LA9 FL4L	180	240	180	240	0	0	74	74	74	74

	H min.	H max.	H1 min.	H1 max.	J1 3P	J1 4P	J2 3P	J2 4P
LA9 FH4H	250	380	130	260	157.5	181.5	157.5	181.5
LA9 FJ4H	260	380	110	230	144.5	192.5	157.5	181.5
LA9 FK4H	280	380	130	230	164.5	219.5	157.5	181.5
LA9 FL4H	330	380	170	220	248.5	328.5	157.5	181.5
LA9 FJ4J	260	380	60	200	144.5	192.5	144.5	192.5
LA9 FK4J	280	380	100	200	164.5	219.5	144.5	192.5
LA9 FL4J	325	380	140	195	248.5	329.5	144.5	192.5
LA9 FK4K	300	380	120	200	164.5	329.5	164.5	219.5

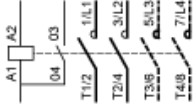
	H min.	H max.	H1 min.	H1 max.	J1 3P	J1 4P	J2 3P	J2 4P
LA9 FL4K	345	380	160	195	248.5	328.5	164.5	219.5
LA9 FL4L	380	380	200	200	248.5	328.5	248.5	328.5

---

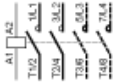
Connections and Schema

---

2, 3, and 4-pole Contactors



LC1 F115 to F630, F1250 (coil LX1 F ~)



LC1 F115 to F630 , F1250 (coil LX4 F ≡)

LC1 F115 to F265 (coil LX9 F ~)

LC1 F800 (coil LX8 F ~ / ≡)



