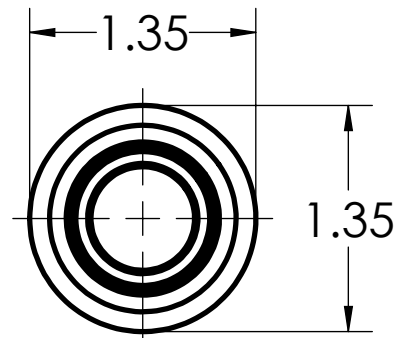
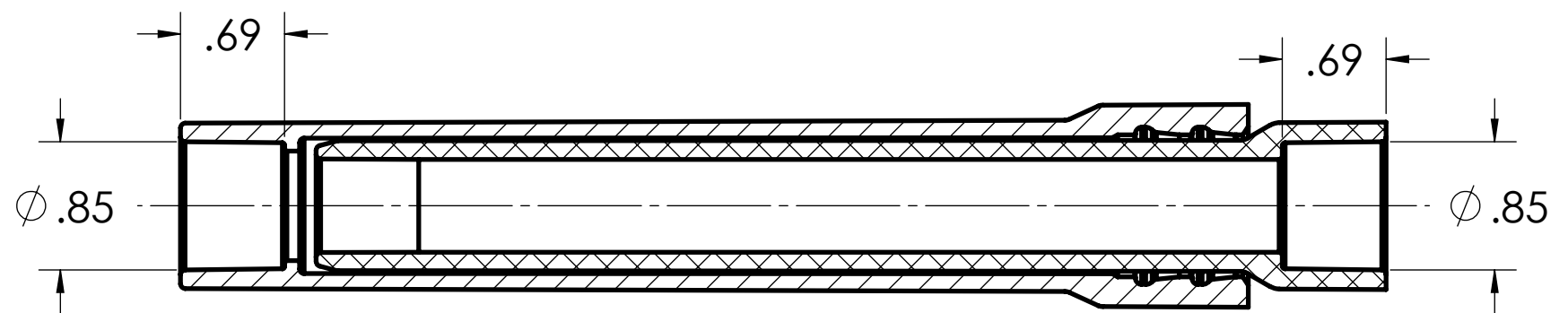
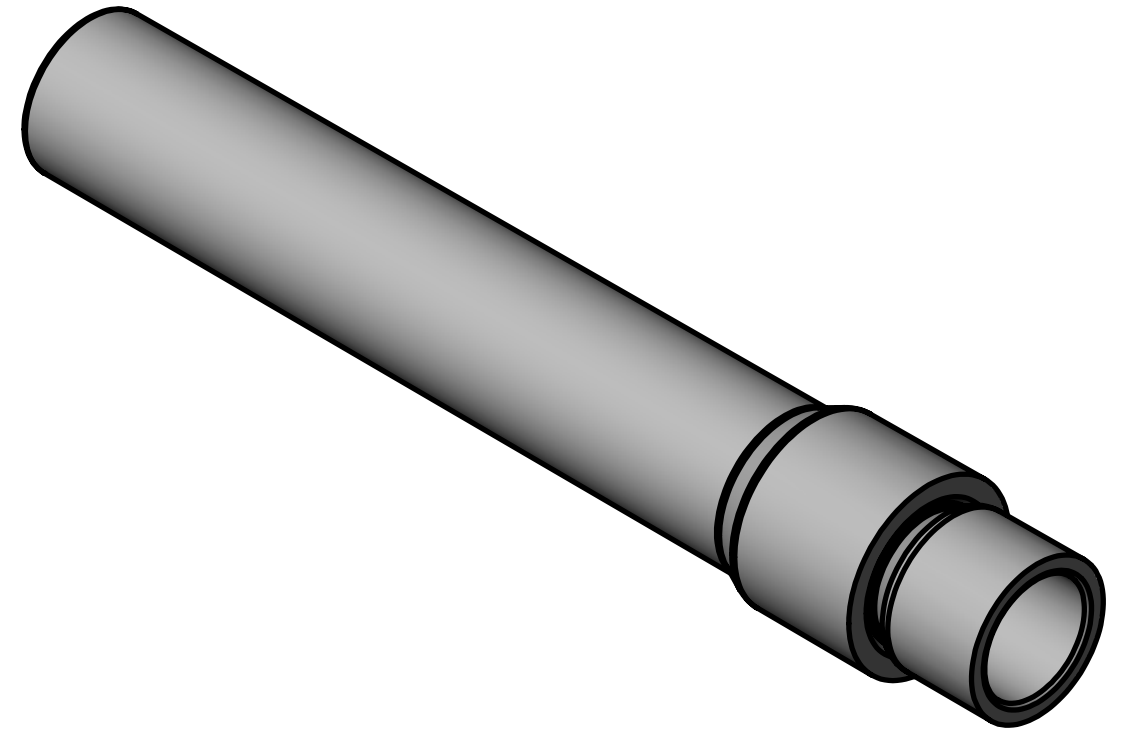


Note: Fully Expanded Length is 12"



DIMENSIONS SHOWN ARE FOR REFERENCE AND ARE SUBJECT TO CHANGE WITHOUT NOTICE		
<b>IPEX Technologies Inc.</b>		
<i>PART DESCRIPTION</i> EJ10 1/2" PVC O-RING EXPANSION JOINT SCEPTER		
<i>PRODUCT CODE:</i> 277156	<i>UNIT: INCHES UNLESS</i> <i>DUAL DIMENSION: INCH [METRIC]</i>	<i>SCALE:</i> NTS
<i>DRAWN:</i> K.D.		