

## Main

Range of Product	Modicon ABE7
Product or Component Type	Sub-base for plug-in relay
Sub-base type	Input sub-base
[Us] rated supply voltage	19...30 V IEC 61131-2
Number of Channels	16
Number of terminal per channel	2
Connections - terminals	<p>Screw type terminals, 1 x 0.09...1 x 1.5 mm<sup>2</sup>, 0.00...0.00 in<sup>2</sup> (0.09...1.5 mm<sup>2</sup>) AWG 28...AWG 16) flexible with cable end</p> <p>Screw type terminals, 1 x 0.14...1 x 2.5 mm<sup>2</sup>, 0.00...0.00 in<sup>2</sup> (0.14...2.5 mm<sup>2</sup>) AWG 26...AWG 12) solid</p> <p>Screw type terminals, 1 x 0.14...1 x 2.5 mm<sup>2</sup>, 0.00...0.00 in<sup>2</sup> (0.14...2.5 mm<sup>2</sup>) AWG 26...AWG 14) flexible without cable end</p> <p>Screw type terminals, 2 x 0.09...2 x 0.75 mm<sup>2</sup>, 0.00...0.00 in<sup>2</sup> (0.09...0.75 mm<sup>2</sup>) AWG 28...AWG 20) flexible with cable end</p> <p>Screw type terminals, 2 x 0.2...2 x 2.5 mm<sup>2</sup>, 0.00...0.00 in<sup>2</sup> (0.2...2.5 mm<sup>2</sup>) AWG 24...AWG 14) solid</p>

## Complementary

Supply voltage type	DC
Product Compatibility	ABS7S33E ABR7 ABS7E
Status LED	1 LED per channel (Green) channel status 1 LED (Green) power ON
Isolation PLC/operative part	Yes
Polarity distribution	Volt-free
Short-circuit protection	1 A internal fuse, 5 x 20 mm, fast blow PLC end)
Fixing mode	By clips 35 mm symmetrical DIN rail) By screws solid plate with fixing kit)
Maximum supply current	1 A
Voltage drop on power supply fuse	0.3 V
[Uimp] rated impulse withstand voltage	2.5 kV
[Ui] rated insulation voltage	300 V coil circuit/contact circuits IEC 60947-1 2000 V terminals/mounting rails
Installation category	II IEC 60664-1
Tightening torque	5.31 lbf.in (0.6 N.m) flat Ø 3.5 mm
Width	10.71 in (272 mm)
Height	3.50 in (89 mm)
Depth	2.91 in (74 mm)
Net Weight	1.87 lb(US) (0.85 kg)

## Environment

Product Certifications	GL[RETURN]DNV[RETURN]CSA[RETURN]UL[RETURN]EAC
IP degree of protection	IP2X conforming to IEC 60529
Resistance to incandescent wire	1382 °F (750 °C) IEC 60695-2-11
Shock resistance	15 gn 11 ms IEC 60068-2-27
Vibration resistance	2 gn 10...150 Hz)IEC 60068-2-6
Resistance to electrostatic discharge	4 KV contact) level 3 IEC 61000-4-2 8 kV air) level 3 IEC 61000-4-2
Resistance to radiated fields	9.14 V/m (10 V/m) 26000000...1000000000 Hz)IEC 61000-4-3 level 3
Resistance to fast transients	2 kV level 3 IEC 61000-4-4
Ambient air temperature for operation	23...140 °F (-5...60 °C) IEC 61131-2
Ambient air temperature for storage	-40...176 °F (-40...80 °C) IEC 61131-2
Pollution degree	2 IEC 60664-1

## Ordering and shipping details

Category	22375-INTERFACE MODULE(ABA,R,S)
Discount Schedule	CP2
GTIN	3389110705164
Returnability	Yes
Country of origin	LV

## Packing Units

Unit Type of Package 1	PCE
Number of Units in Package 1	1
Package 1 Height	3.35 in (8.5 cm)
Package 1 Width	3.94 in (10 cm)
Package 1 Length	11.50 in (29.2 cm)
Package 1 Weight	27.41 oz (777 g)
Unit Type of Package 2	S03
Number of Units in Package 2	6
Package 2 Height	11.81 in (30 cm)
Package 2 Width	11.81 in (30 cm)
Package 2 Length	15.75 in (40 cm)
Package 2 Weight	11.32 lb(US) (5.136 kg)

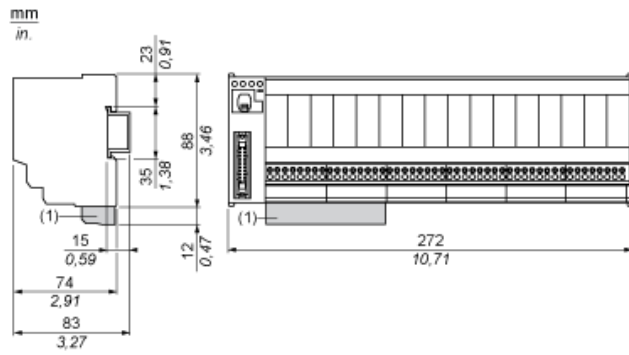
## Offer Sustainability

Sustainable offer status	Green Premium product
California proposition 65	WARNING: This product can expose you to chemicals including: Lead and lead compounds, which is known to the State of California to cause cancer and birth defects or other reproductive harm. For more information go to <a href="http://www.P65Warnings.ca.gov">www.P65Warnings.ca.gov</a>
REACH Regulation	<a href="#">REACH Declaration</a>
EU RoHS Directive	Pro-active compliance (Product out of EU RoHS legal scope)
Mercury free	Yes
China RoHS Regulation	<a href="#">China RoHS Declaration</a>
RoHS exemption information	<a href="#">Yes</a>
Environmental Disclosure	<a href="#">Product Environmental Profile</a>
Circularity Profile	<a href="#">End Of Life Information</a>
WEEE	The product must be disposed on European Union markets following specific waste collection and never end up in rubbish bins.

## Contractual warranty

Warranty	18 months
----------	-----------

Dimensions



(1) ABE7BV10 / BV20, ABE7BV10E / BV20E

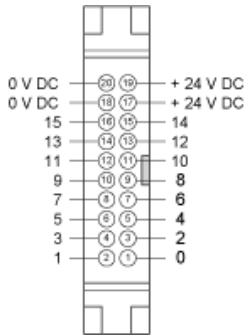
---

Mounting

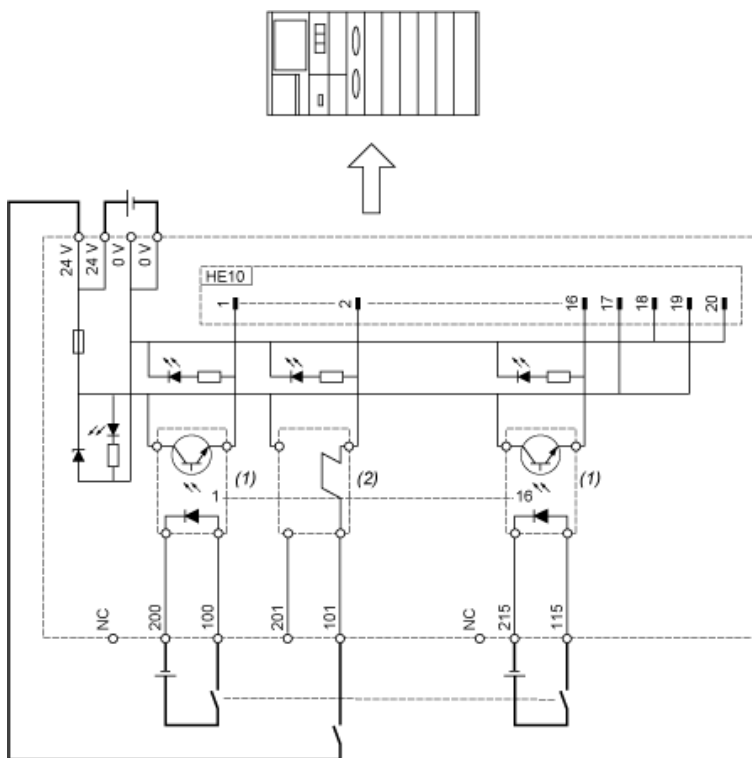
---



HE10 16 Channels



Wiring Diagram



- (1) ABS7EC3AL (5 VDC TTL) / ABS7EC3B2 (24 VDC) / ABS7EC3E2 (48 VDC) / ABS7EA3E5 (48 VAC) / ABS7EA3F5 (110/130 VAC) / ABS7EA3M5 (230/240 VAC) (not supplied)
- (2) ABE7ACC21 (24 VDC) (not supplied / not isolated)

Curves for Determining Cable Type and Length According to the Current

16-channel Sub-base



L Cable length

$I_T$  Total current per sub base (A)

$I_A$  Average current per channel (mA)

(1) TSXCDP••2 and ABFH20H••0 cables with c.s.a. 0.08 mm<sup>2</sup> (AWG 28).

(2) TSXCDP••3 cables with c.s.a. 0.34 mm<sup>2</sup> (AWG 22).

(3) Cables with c.s.a. 0.13 mm<sup>2</sup> (AWG 26).

The curves are given for a voltage drop of 1 V in the cable. For n volts tolerance, multiply the length determined from the graph by n.